

# 2012 International Residential Code Errata

(Portions of text and tables not shown are unaffected by the errata)

1<sup>st</sup> and 2<sup>nd</sup> PRINTING (Posted: 06-06-2012)

## CHAPTER 5 FLOORS

TABLE 507.2.1

TABLE 507.2.1  
PLACEMENT OF LAG SCREWS AND BOLTS IN DECK LEDGERS AND BAND JOISTS

MINIMUM END AND EDGE DISTANCES AND SPACING BETWEEN ROWS				
	TOPE EDGE	BOTTOM EDGE	ENDS	ROW SPACING
Ledger <sup>a</sup>	2 inches <sup>d</sup>	<del>1/4</del> 3/4 inch	2 inches <sup>b</sup>	1 5/8 inches <sup>b</sup>
Band Joist <sup>c</sup>	3/4 inch	2 inches	2 inches <sup>b</sup>	1 5/8 inches <sup>b</sup>

Footnotes remain unchanged.

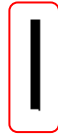
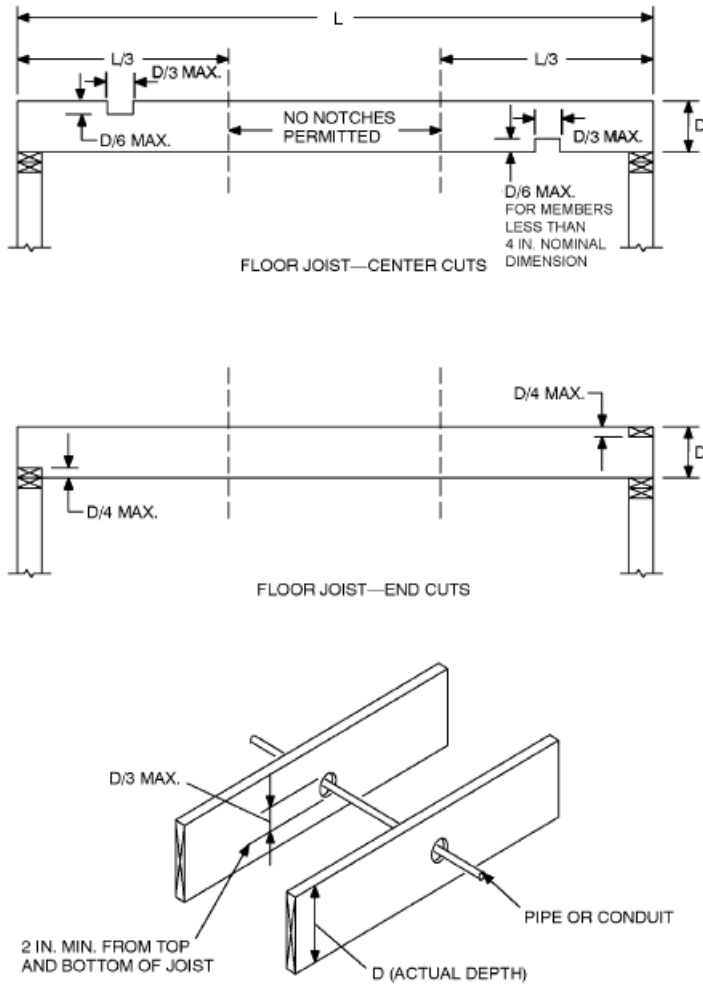
# 2012 International Residential Code Errata

(Portions of text and tables not shown are unaffected by the errata)

1<sup>st</sup> PRINTING (March 27, 2012)

## CHAPTER 5 FLOORS

FIGURE R502.8



1:1 1 inch = 25.4 mm.

FIGURE R502.8  
CUTTING, NOTCHING AND DRILLING