

# 2012 International Residential Code Errata

(Portions of text and tables not shown are unaffected by the errata)

1<sup>st</sup> through 7<sup>th</sup> PRINTING ( POSTED May 19, 2015 )

## CHAPTER 8 ROOF-CEILING CONSTRUCTION

**R804.3.8.1 Ceiling diaphragms.** At gable end walls..... 33 mils (0.84 mm).

The ceiling diaphragms shall be ...field. Multiplying the required lengths in Tables R804.3.8 (1) and R804.3.8 (2) for gypsum board sheathed ceiling diaphragms ~~shall be permitted to be multiplied by 0.35~~ shall be permitted if all panel edges are blocked. Multiplying.....

# 2012 International Residential Code Errata

(Portions of text and tables not shown are unaffected by the errata)

1<sup>st</sup> through 4<sup>th</sup> PRINTING (11-7-13)

## CHAPTER 8 ROOF-CEILING CONSTRUCTION

### **R806.5 Unvented attic and unvented enclosed rafter assemblies. Unvented....**

1. The unvented...
2. No interior...
3. Where wood...
4. In Climate Zones 5, 6, 7 and 8, any *air-impermeable insulation* shall be a Class II vapor retarder, or shall have a Class **II** vapor retarder coating or .....

# 2012 International Residential Code Errata

(Portions of text and tables not shown are unaffected by the errata)


1<sup>st</sup> through 3<sup>rd</sup> PRINTING (4-27-13)

## CHAPTER 8 ROOF-CEILING CONSTRUCTION

TABLE R806.5  
INSULATION FOR CONDENSATION CONTROL

CLIMATE ZONE	MINIMUM RIGID BOARD ON AIR-IMPERMEABLE INSULATION R-VALUE <sup>a</sup>
2B and 3B tile roof only	0 (none required)
1, 2A, 2B, 3A, 3B, 3C	R-5
4C	R-10
4A, 4B	R-15
5	R-20
6	R-25
7	R-30
8	R-35

a. Contributes to but does not supersede the requirements in Section ~~N1103.2.1~~ N1102.



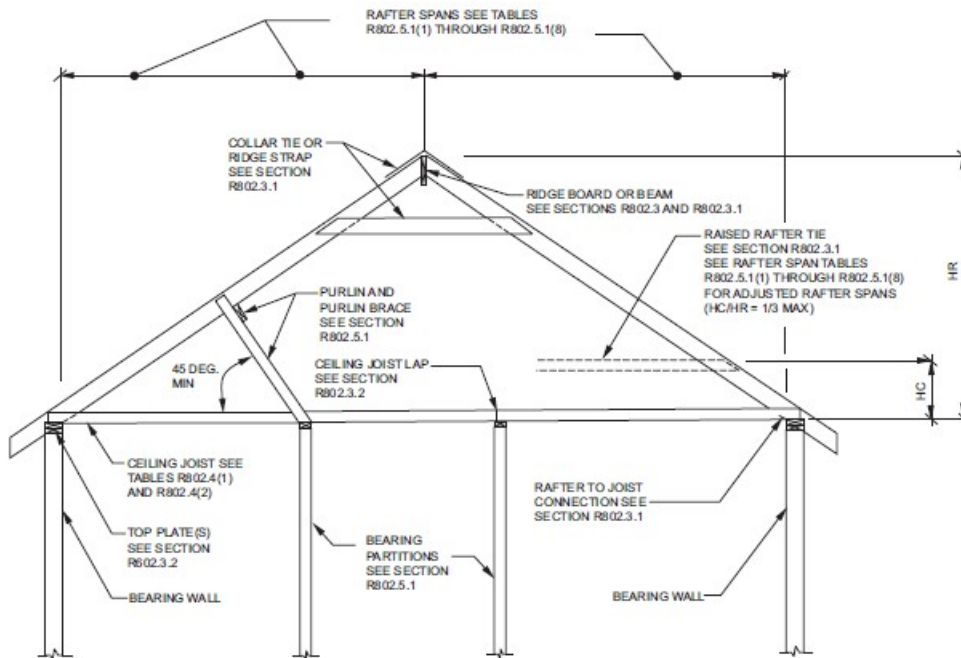
# 2012 International Residential Code Errata

(Portions of text and tables not shown are unaffected by the errata)

1<sup>st</sup> PRINTING (3-27-12)

## CHAPTER 8 WALL COVERING

FIGURE R802.5.1



For SI: 1 inch = 25.4 mm, 1 foot = 305 mm, 1 degree = 0.018 rad.

**Note:** Where ceiling joists run perpendicular to the rafter, rafter ties shall be installed in accordance with Section R802.3.1.

$H_C$  = Height of ceiling joists or rafter ties measured vertically above the top of rafter support walls.

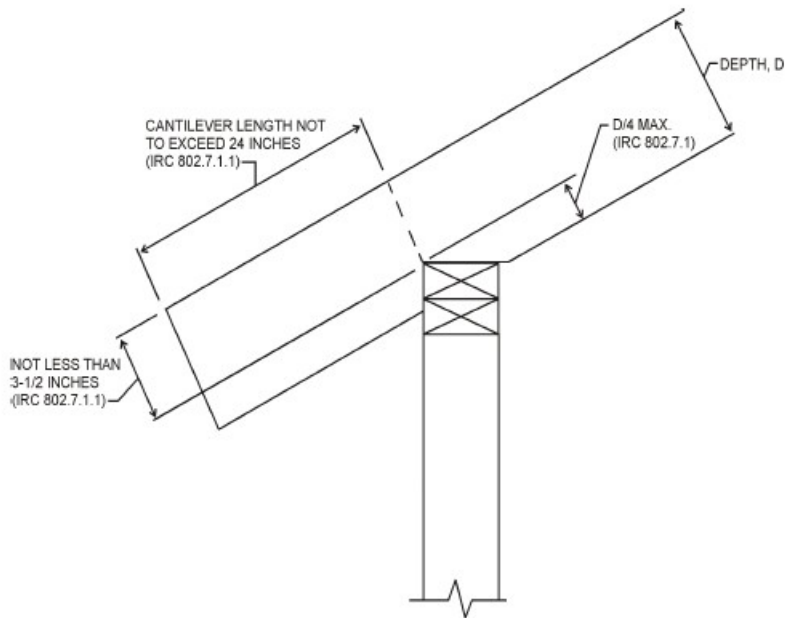
$H_R$  = Height of roof ridge measured vertically above the top of the rafter support walls.

FIGURE R802.5.1  
BRACED RAFTER CONSTRUCTION

# 2012 International Residential Code Errata

(Portions of text and tables not shown are unaffected by the errata)

FIGURE 802.7.1.2



For SI: 1 inch = 25.4 mm.

FIGURE R802.7.1.1  
RAFTER NOTCH

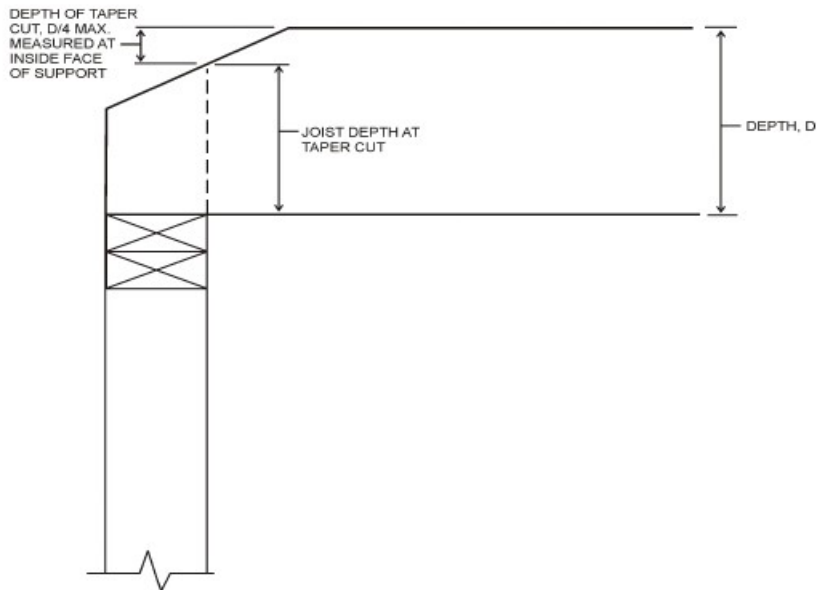


FIGURE R802.7.1.2  
CEILING JOIST TAPER CUT

