

2012 International Residential Code Errata

(Portions of text and tables not shown are unaffected by the errata)

Applicable to 1st through 10th PRINTINGS (This Errata Posted April 11, 2017)

CHAPTER 29 WATER SUPPLY AND DISTRIBUTION

TABLE P2906.4 WATER SERVICE PIPE

MATERIAL	STANDARD
Cross-linked polyethylene (PEX) plastic pipe and tubing	ASTM F876; ASTM F877; AWWA C904 ; CSA B137.5

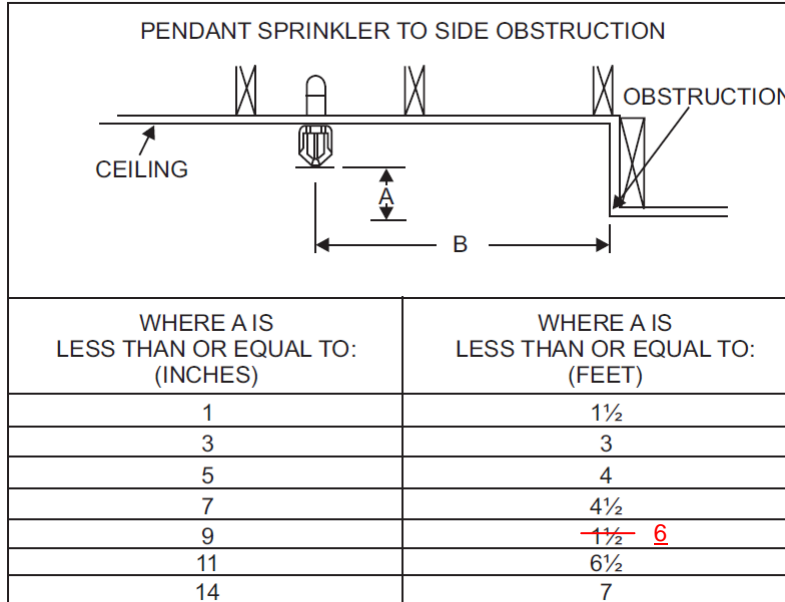
2012 International Residential Code Errata

(Portions of text and tables not shown are unaffected by the errata)

1st through 4th PRINTING (11-7-13)

CHAPTER 29 WATER SUPPLY AND DISTRIBUTION

Figure P2904.2.4.2
Minimum Allowable Distance Between Sprinkler and Obstruction.



2012 International Residential Code Errata

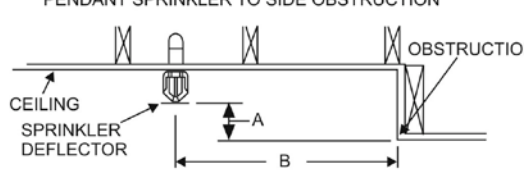
(Portions of text and tables not shown are unaffected by the errata)

1st PRINTING (12-5-11)

CHAPTER 29 WATER SUPPLY AND DISTRIBUTION

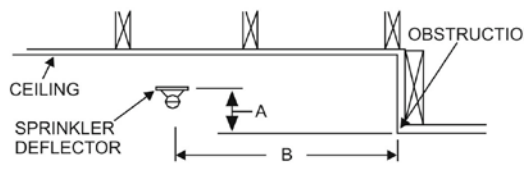
**TABLE P2904.2.4.2
MINIMUM ALLOWABLE DISTANCE BETWEEN SPRINKLER AND OBSTRUCTION**

PENDANT SPRINKLER TO SIDE OBSTRUCTION



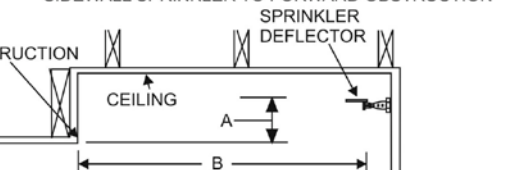
WHERE "A" IS LESS THAN OR EQUAL TO: (INCHES)	"B" MUST BE NOT LESS THAN: (FEET)
1	1½
3	3
5	4
7	4½
9	1½
11	6½
14	7

SIDEWALL SPRINKLER TO SIDE OBSTRUCTION



WHERE "A" IS LESS THAN OR EQUAL TO: (INCHES)	"B" MUST BE NOT LESS THAN: (FEET)
1	1½
3	3
5	4
7	4½
9	6
11	6½
14	7

SIDEWALL SPRINKLER TO FORWARD OBSTRUCTION



WHERE "A" IS LESS THAN OR EQUAL TO: (INCHES)	"B" MUST BE NOT LESS THAN: (FEET)
1	8
2	10
3	11
4	12
6	13
7	14
9	15
11	16
14	17