

Smoke Alarm with 520Hz Base

GS565 User Manual

Thank you for purchasing our smoke alarm. Please take a few minutes to read the user's manual thoroughly and familiarize yourself and your family with its operation. And save it for future reference.

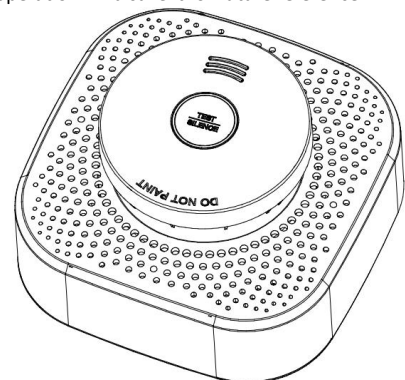


Diagram 1



Helps Reduce Cooking Nuisance Alarms
UL 217 8th Ed.



Product Specifications

- **SMOKE POWER:** built-in DC3V(CR-2/3AZ) Lithium battery (battery not replaceable ,up to 10 years life time)
- **520HZ Base POWER:**built-in DC3V(Panasonic CR-AGC22N)Lithium battery (battery not replaceable, up to 10 years life time)
- **SMOKE OPERATION CURRENT:** <8uA (standby), <50mA (alarm)
- **520HZ Base OPERATION CURRENT:**<2uA (standby), <500mA (alarm)
- **SMOKE ALARM VOLUME:** >85 dB (A) at 3 meters(2.8-3.5KHz)
- **520HZ Base ALARM VOLUME:** >85 dB (A) at 3 meters(520Hz)
- **ALARM SENSITIVITY:** 2.07-2.84%/ft OBS
- **SILENCE TIME:** approx. 8 minutes
- **SMOKE ALARM SOUND PATTERN:** Temporal 3 BI 0.5s - pause 0.5s – BI 0.5s – pause 0.5s – BI 0.5s – pause 1.5s, with the red LED flash, repeat this alarm pattern.
- **SMOKE ALARM COMPLY WITH:** UL217 &CAN/ ULC-S531
- **520Hz Base COMPLY WITH:**UL217 &CAN/ ULC-S531

Description

This unit is a photoelectric smoke alarm. The photoelectric technology, it is more sensitive in detecting slow smoldering fires which generate light smoke, little heat and may smolder for hours before bursting into flames. This smoke alarm does not contain any radioactive material. Smoke alarms should be installed in every room (except the bathroom and kitchen), finished attics and basements, making sure the people in the home will be able to hear and respond to the alarm sound. For minimum protection, you should install an alarm on every level of the home particularly outside sleeping rooms. The smoke alarm is equipped with a 520hz base. When the smoke alarm is detected, it will send out 520hz sound waves to wake up children, the elderly, people with hearing impairment, drunkenness, taking sleeping drugs and other unconscious people, so that the householdscan escape from danger after waking up.

Important Safety Information:

- 1.The test button accurately tests smoke alarm functions. Do not use any other test method. Test smoke alarm weekly to ensure proper operation.
- 2.If you're sure it isn't a really alarm, open windows or fan the air around smoke alarm to test and silence it.
- 3.User to install this product needs to comply with all local and national electrical installation and building codes.
- 4.This smoke alarm is designed to be used inside a single family home only. In multifamily buildings, each individual living unit should have its own smoke alarms. Do not install in non-residential buildings as this smoke alarm is not a substitute for a complete alarm system.
- 5.Install a smoke alarm in every room and on every level of the home. Smoke may not reach the smoke alarm for many reasons. For example, if a fire starts in a remote part of the home, on another level, in a chimney, wall, roof, or on the other side of a closed door, smoke may not reach the smoke alarm in time to alert

household members. A smoke alarm will not promptly detect a fire except in the area or room in which it is installed.

6.Smoke alarm may not alert every household member every time. The alarm horn is loud in order to alert individuals to a potential danger. However, there may be some circumstances where a household member may not hear the alarm (i.e. outdoor or indoor noise, sound sleepers, drug or alcohol usage, the hard of hearing, etc.). If you suspect that this smoke alarm may not alert a household member, install and maintain specialty smoke alarms. Household member must hear the alarm's warning sound and quickly respond to it to reduce the risk of injury, or death that may result from fire, if a household member is hard of hearing, install special smoke alarms with lights or vibrating devices to alert occupants.

7.Smoke alarms can only sound their alarms when they detect smoke or detect combustion particles in the air. They do not sense heat, flame, or gas. This smoke alarm is designed to give audible warning of a developing fire. However, many fires are fast - burning, explosive, or intentional, and others are caused by carelessness or safety hazards. In such circumstances, Smoke may not reach the alarm QUICKLY ENOUGH to ensure safe escape. Therefore the installation of smoke alarms is not a substitute for practicing fire safety in the home.

Les détecteurs de fumée peuvent que détecter de la fumée ou des particules de combustion dans l'air. Ils ne détectent pas de la chaleur, des flammes ou du gaz. Ce détecteur de fumée est fait pour émettre un avertissement sonore d'un feu développant. Néanmoins, beaucoup de feux se répandent vite – bruler, explosif ou intentionnel et d'autres sont causés par négligence ou des dangers de sécurité. Dans ces situations, il se peut que la fumée arrive au détecteur **TROP TARD** pour assurer une fuite en sécurité. Donc, l'installation d'un détecteur de fumée ne peut pas remplacer des exercices de prévention de feu dans votre maison.

8.Smoke alarms have limitations. This smoke alarm is not foolproof and is not warranted to protect lives or property from fire. Smoke alarms are not a substitute for insurance. Homeowners and renters should have adequate insure to protect their lives and property. In addition, it is possible for the smoke alarm to fail at any time. For this reason, you must test the smoke alarm weekly and replace them every 10 years.

Do Not Install Smoke Alarms in the Following Places

- In the garage. Products of combustion are present when you start your automobile.
- Less than4" (10cm) from the peak of an "A" frame type ceiling.
- In an area where the temperature may fall below 40°F or rise above 100°F, such as garages and unfinished attics.
- In dusty areas. Dust particles may cause nuisance alarm or failure to alarm. In very humid areas (greater than 85% R.H.). Moisture or steam can cause nuisance alarms.
- In insect-infested areas.
- Smoke alarms should not be installed within 3 ft (.9m) of the following: the door to a kitchen, the door to a bathroom containing a tub or shower, forced air supply ducts used for heating or cooling, ceiling or whole house ventilating fans, or other high air flow areas.
- Kitchens. Normal cooking may cause nuisance alarms. If a kitchen alarm is desired, it should have an alarm silence feature or be a photoelectric type.
- Near fluorescent lights. Electronic "noise" may cause nuisance alarms.
- Smoke alarms are not to be used with detector guards
- Unless the combination (alarm and guard) has been evaluated and found suitable for that purpose.

Operation:

Testing

Test the unit weekly to ensure proper operation by pressing the test button. this will sound the alarm if the electronic circuitry, horn, and battery are working properly. If no alarm sounds, the battery may be depleted or another problem, refer to "Trouble shooting" section for a solution.

DO NOT: use an open flame to test your alarm, you could damage the alarm or ignite combustible materials and start a structure fire.

CAUTION: Due to the loudness (85 decibels) of the alarm, Always stand an arms-length away from the unit when testing. Test the alarm weekly to ensure proper operation. Erratic or low sound coming from your alarm may indicate a defective alarm. Refer to "Trouble shooting" section for a solution.

ATTENTION: À cause du volume élevé de l'alarme (85 décibel), placez-vous a bout de bras du détecteur quand vous le testez. Testez l'alarme hebdomadairement pour assurer une opération propre. Des sons irréguliers ou trop bas peuvent indiquer un détecteur défectif. Reférez-vous à la section « Trouble shooting » pour en trouver des solutions.

NOTE: WEEKLY TESTING IS REQUIRED LED indicators

This smoke alarm is equipped with red LED indicators.

Standby Condition: The red LED will flash every 48 seconds to indicate that the smoke alarm is operating properly.

Alarm Condition: When the alarm senses products of combustion and goes into alarm, the red LED will flash rapidly (one flash per second).The rapid flashing LED and pulsating alarm will continue until the air is cleared or the test button is released.

Silence Condition: The red LED will flash every 8 seconds as long as the alarm is in Hush mode.

Low battery trouble indication: An intermittent "chirp" accompanied by a red LED flash every 48 seconds indicates a low battery, you may press the test button to silence the trouble indication for 10 hours, but it will reset automatically after 10 hours. During this condition the unit will continue to operate normally and detect smoke and sound an alarm. This action only temporarily silences the chirp.

NOTE: As the battery in this unit is not replaceable, a low battery signal is an indication of end of life. Therefore the alarm **MUST** be replaced as soon as possible!

Fault indication: This chirp will occur between the flashes of the red LED indicator light.

Battery discharge Condition: The red LED will always light (This is another red LED of other position).

NOTE: When the unit chirps once every 48 seconds, pressing the test button temporarily silences this warning tone for 10 hours. Refer to "Trouble shooting" section for solutions, if the fault signal reactivates, **you MUST replace the unit with a new alarm at once** or contact you retailer during warranty.

NOTEZ: Quand l'appareil émet un son chaque 48 secondes, appuyer le bouton test peut désactiver le son pendant 10 heures. Reférez-vous à la section « Trouble shooting » pour trouver des solutions, si le signal de faute se rallume, vous DEVEZ remplacer l'appareil avec un autre ou contacter votre détaillant en période de garantie.

SMOKE SENSING CHAMBER OPERATION: This alarm will "chirp" if any of the components in the smoke sensing chamber fail. This chirp will occur between the flashes of the red LED indicator light. (If the chirp occurs at the same time as the red LED flash, indicating a low battery information).

Alarm silence

When the alarm sounds check for a fire first, After verifying that it is not a fire the alarm can be silenced by pushing the test button This will silence the alarm for approx 8 minutes. The red LED will flash once every 8 seconds indicating the smoke alarm is in the silence mode. Smoke alarms are designed to minimize nuisance alarms, but combustion particles from cooking may set off the alarm if the alarm is located close to the cooking area. To minimize the occurrence of false alarms, smoke alarms must be installed a minimum of 10 feet(3 meters) from the nearest cooking appliance. If you accidentally let some smoke into the alarm cause alarm, you can open the doors and windows. Turn on the fan blew it. The alarm will silence (test button) is extremely useful in a kitchen area or other areas prone to nuisance alarms. The silence feature is to be used only when a known alarm condition, such as smoke from cooking activates the alarm. The smoke alarm is desensitized by push the alarm silence (silence mode) on the smoke alarm cover, the alarm will silence to indicate that the alarm is in a temporarily desensitized condition. The smoke alarm will automatically reset after approximately 8 minutes, if after this period, particles of combustion are still present, the alarm will sound again. The alarm silencer (silence mode) can be repeatedly until the air has been cleared of the condition causing the alarm.

NOTE: Dense smoke will override the alarm silencer and sound a continuous alarm.

CAUTION: Before using the alarm silence (silence), identify the source of the smoke and be certain a safe condition exists.

ATTENTION: Avant de faire taire l'alarme, identifiez la cause de la fumée et rassurez vous qu'il n'y en ait pas de danger.

DANGER: If the alarm sounds, and it is not being tested, it means the unit is sensing smoke, THE SOUND OF THE ALARM REQUIRES YOUR IMMEDIATE ATTENTION AND ACTION.

Low Battery status:

An intermittent "chirp" accompanied by a flashing red LED indicates once every 48 seconds indicating that the battery has reached a low voltage. And this is a non-replaceable battery alarm, so you need to replace a new smoke alarm within 7 days, In order to avoid noise to disturb your sleeping in the night time, pressing the test button temporarily silence this warning tone for 10 hours, it will again prompt you to replace the alarm after 10 hours.

État de batterie faible :

Un « Bip » intermittent accompagné d'une LED rouge clignotante toutes les 48 secondes indique une batterie faible. Ce détecteur a une pile non-replaçable, donc vous devez remplacer le détecteur dans un délai de 7 jours. Pour éviter du bruit pendant que vous dormez, appuyer le bouton test peut faire taire le son temporairement.

Maintenance and Cleaning

In addition to weekly testing, the alarm requires periodic cleaning to remove dust, dirt, and debris. Clean the alarm at least once a year to remove dust, dirt, or debris. Use a vacuum cleaner with a soft brush, vacuum all sides and covers of smoke alarm. This alarm has a low battery monitor which will cause the alarm to "chirp" approx every 48 seconds and the red LED flash once at the same time for a minimum of thirty days when the battery gets low. If there is a defective battery or other failures, you can refer to "Trouble shooting" for solution, if there are still failures during warranty, you can return to your retailer.

WARNING: The battery is sealed and is not replaceable. Please replace with new alarm if the low battery chirp occurs.

ATTENTION: La pile est enfermée et non-replaçable

Remplacez ce détecteur si vous entendez le son qui indique une batterie faible.

IMPORTANT: Do not attempt to remove the cover to clean inside. This will void the warranty.

WHAT TO DO WHEN THE ALARM SOUNDS

- 1.Alert small children in the home to quickly follow the family escape plan.
- 2.Leave immediately by your escape plan. Every second counts, so don't waste time getting dressed or picking up valuables.
- 3.In leaving, don't open any inside door without first feeling its surface. If hot, or if you see smoke seeping through cracks, don't open that door! Instead, use your alternate exit. If the inside of the door is cool, place your shoulder against it, open it slightly and be ready to slam it shut if heat and smoke rush in.
- 4.Stay close to the floor if the air is smoky. Breathe shallowly through a cloth, wet if possible.
- 5.Once outside, go to your selected meeting place and make sure everyone is there.
- 6.Call the fire department from your neighbor's home -not from yours!
- 7.Don't return to your home until the fire officials say that it is all right to do so. There are situations where a smoke alarm may not be effective to protect against fire as stated in the NFPA Standard 72.
- 8.For instance:

- a) Smoking in bed
- b) Leaving children home alone
- c) Cleaning with flammable liquids, such as gasoline

Note: These guidelines will assist you in the event of a fire, however, to reduce the chance that fires will start, practice fire safety rules and prevent hazardous situations.

Repair:

Caution: Do not attempt to repair the alarm. This will void your warranty. If the alarm is not operating properly, and is still under warranty, return it to the original place of purchase. Pack it in a well-padded carton, and ship to the original place you buy. If the alarm is no longer under warranty, have a licensed electrician replace it immediately with a comparable alarm.

Attention: N'essayiez pas de réparer le détecteur. Cela annule votre garantie. Quand le détecteur ne fonctionne pas correctement et se trouve encore dans la période de garantie, retournez-le au détaillant chez qui vous l'avez acheté. Emballez-le dans un carton bien callé et envoyez-le vers la place où vous l'avez

acheté. Si la garantie est déjà expirée, contactez un électricien autorisé pour le remplacer avec un détecteur identique.

Trouble shooting:

Problem	Cause and Remedy
Smoke alarm does not sound when tested.	<ol style="list-style-type: none"> 1. Activate alarm before installation. 2. Clean smoke alarm. Please refer to the "maintenance and cleaning" section. 3. If problems persist and the unit is still under warranty, you can return to your retailer. 4. if the unit is out of warranty, please replace another new alarm.
An intermittent "chirp" accompanied by a red LED flash every 48 seconds.	The battery is depleted, please replace the smoke alarm.
Smoke alarm chirp occurs every 48 seconds only (alarm goes into fault mode).	Clean smoke alarm. Please refer to the "maintenance and cleaning" section. Replace smoke alarm if the problem persists
Smoke alarm sounds unwanted alarms intermittently or when residents are cooking, taking showers, etc.	<ol style="list-style-type: none"> 1. Press test button to silence alarm. 2. Clean smoke alarm. Please refer to the "maintenance and cleaning" section. 3. Move smoke alarm to new location and press test button.
The alarm sounds different from it is used to. It starts and stops.	<ol style="list-style-type: none"> 1. Clean smoke alarm. Please refer to the "maintenance and cleaning" section. 2. if the problem persists during warranty, you can return to your retailer. 3. if the unit is out of warranty, please replace another new alarm.

• Smoke, heat, and combustion products rise to the ceiling and spread horizontally. Mounting the smoke alarm on the ceiling in the center of the room places it closest to all points in the room. Ceiling mounting is preferred in ordinary residential construction.

• For mobile home installation, select locations carefully to avoid thermal barriers that may form at the ceiling. For more details, see MOBILE HOME INSTALLATION below.

• When mounting an alarm on the ceiling, locate it at a minimum of 4" (10cm) from the side wall (Refer to Diagram 2).

• When mounting the alarm on the wall, use an inside wall with the top edge of the alarm at a minimum of 4" (10cm) and a maximum of 12" (30.5cm) below the ceiling (Refer to Diagram 2).

• Put smoke alarms at both ends of a bedroom hallway or large room if the hallway or room is more than 30 ft (9.1 m) long.

• Install Smoke Alarms on sloped, peaked or cathedral ceilings at or within 3 ft (0.9m) of the highest point (measured horizontally). NFPA 72 states: "Smoke alarms in rooms with ceiling slopes greater than 1 ft in 8 ft (.3m in 2.4m) horizontally shall be located on the high side of the room." NFPA 72 states: "A row of alarms shall be spaced and located within 3 ft (0.9m) of the peak of the ceiling measured horizontally" (Refer to Diagram 3).

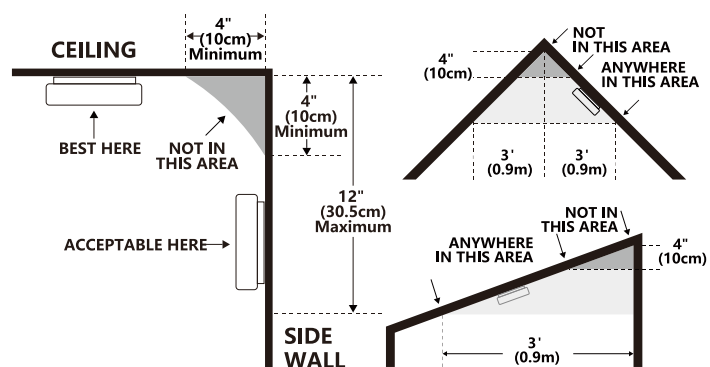


Diagram 2

Diagram 3

DEVELOP AND PRACTICE A PLAN OF ESCAPE

• Install and maintain fire extinguishers on every level of the home and in the kitchen, basement and garage. Know how to use a fire extinguisher prior to an emergency.

• Make a floor plan indicating all doors and windows and at least two (2) escape routes from each room. Second story windows may need a rope or chain ladder.

• Have a family meeting and discuss your escape plan, showing everyone what to do in case of fire.

• Determine a place outside your home where you all can meet if a fire occurs.

• Familiarize everyone with the sound of the smoke alarm and train them to leave your home when they hear it.

• Practice a fire drill at least every six months, including fire drills at night. Ensure that small children hear the alarm and wake when it sounds. They must wake up in order to execute the escape plan. Practice allows all occupants to test your plan before an emergency. You may not be able to reach your children. It is important they know what to do.

• Current studies have shown smoke alarms may not awaken all sleeping individuals, and that it is the responsibility of individuals in the household that are capable of assisting others to provide assistance to those who may not be awakened by the alarm sound, or to those who may be incapable of safely evacuating the area unassisted.

RECOMMENDED LOCATIONS FOR ALARMS

• Locate the first alarm in the immediate area of the bedrooms. Try to monitor the exit path as the bedrooms are usually farthest from the exit. If more than one sleeping area exists, locate additional alarms in each sleeping area.

• Locate additional alarms to monitor any stairway as stairways act like chimneys for smoke and heat.

• Locate at least one alarm on every floor level.

• Locate an alarm in every bedroom.

• Locate an alarm in every room where electrical appliances are operated (i.e. portable heaters or humidifiers).

• Locate an alarm in every room where someone sleeps with the door closed. The closed door may prevent an alarm not located in that room from waking the sleeper.

MOBILE HOME INSTALLATION

Modern mobile homes have been designed and built to be energy efficient. Install smoke alarms as recommended above (refer to RECOMMENDED LOCATIONS and diagram 2 and 3).

In older mobile homes that are not well insulated compared to present standards, extreme heat or cold can be transferred from the outside to the inside through poorly insulated walls and roof. This may create a thermal barrier which can prevent the smoke from reaching an alarm mounted on the ceiling. In such units, install the smoke alarm on an inside wall with the top edge of the alarm at a minimum of 4" (10cm) and a maximum of 12" (30.5cm) below the ceiling (see Diagram 2).

If you are not sure about the insulation in your mobile home, or if you notice that the outer walls and ceiling are either hot or cold, install the alarm on an inside wall. For minimum protection, install at least one alarm close to the bedrooms. For additional protection, see SINGLE FLOOR PLAN in Diagram 4 and MULTIPLE FLOOR PLAN in Diagram 5.

WARNING: EST YOUR SMOKE ALARM OPERATION AFTER RV OR MOBILE HOME VEHICLE HAS BEEN IN STORAGE, BEFORE EACH TRIP AND AT LEAST ONCE A WEEK DURING USE.

ATTENTION: ESTEZ VOTRE DÉTECTEUR DE FUMÉE APRÈS QUE VOUS RETIREZ VOTRE CARAVANE OU MOBILE HOME D'UN ENDROIT DE STOCKAGE, AVANT CHAQUE VOYAGE ET AU MOINS UNE FOIS PAR SEMAINE PENDANT UTILISATION.

MULTIPLE FLOOR PLAN

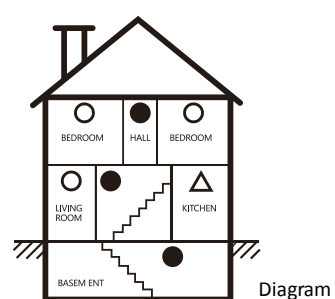


Diagram 4

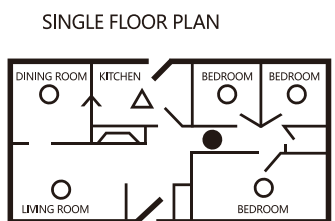


Diagram 5

Installation:

Activation Pull out the battery pull tab first. Press test button and hold it for more than 3 seconds until LED lights, and release it within 2 seconds, the unit will generate a "beep" indicating that it is activated and ready to detect status.

CAUTION: this unit must activated prior to installation. Failure to perform step will result in a non functioning smoke alarm!

ATTENTION: Cet appareil doit être activé avant l'installation. S'il n'est pas activé le détecteur de fumée ne fonctionne pas !

• Turn the alarm body counterclockwise and take off the bracket.

• Hold the bracket in the installation position as specified in the Recommended Locations, mark installation holes of the bracket with pencil.

• Drill the two marked installation holes with a 3/16 inch (5mm) drill bit. Tap the two plastic grommets into holes with hammer.

• Remove locking plug from the bracket with screwdriver if necessary (Refer to Diagram 6). This is an optional additional locking in place feature.

• Mount the bracket to the ceiling by inserting and tightening the supplied screws into plastic grommets. (Refer to Diagram 7).

• Fit the alarm on the bracket and turn the alarm body clockwise, until fully inserted on the bracket.

Optionally insert locking plug into the gap between bracket and bottom cover for locking alarm in place (Refer to Diagram 8).

• Press the button to test the unit. The alarm should then sounds 3 beeps – 1.5 seconds pause, and will repeat until the button is released, if no sound, it indicates a defective alarm, refer to the "Trouble shooting" section for a solution or return to your retailer during warranty.

WARNING:

To prevent injury, this unit must be securely attached to the wall or ceiling in accordance with the installation instructions.

ATTENTION :

Pour éviter de blessures, cet appareil doit être attaché au mur ou plafond comme décrit dans les instructions d'installation.

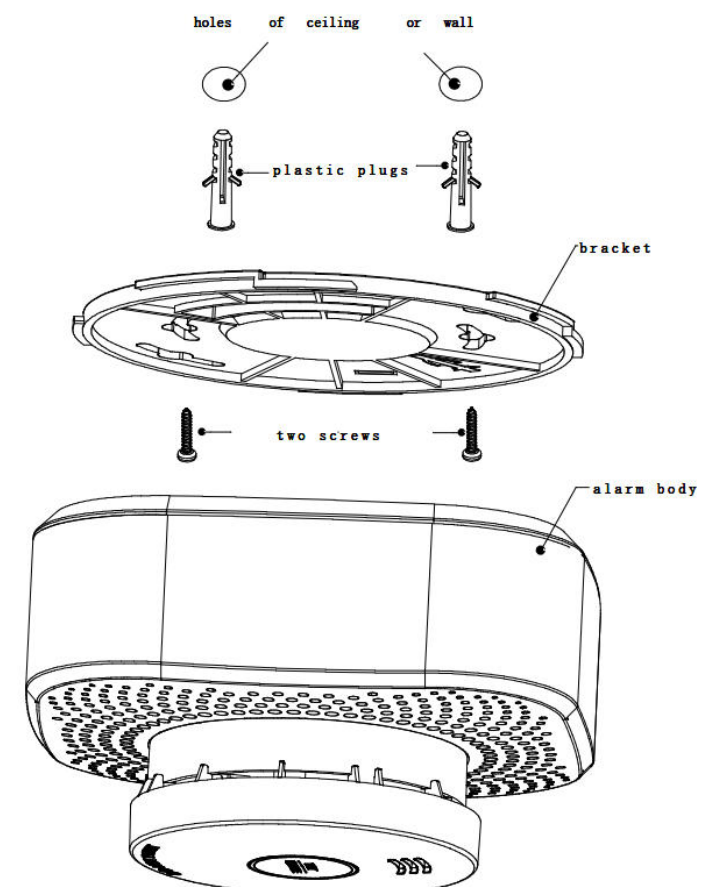


Diagram 7

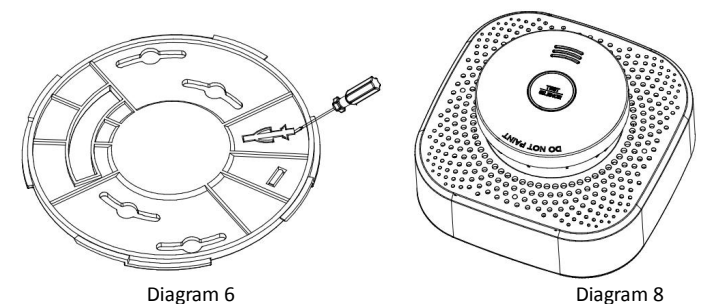


Diagram 6

Diagram 8

Scrap and disposal:

When the battery is end of life, an intermittent "chirp" with red LED flashes once every 48 seconds: indicates that the smoke alarm device is low battery. Please scrap it according to below following the steps and immediately buy another new alarm to replace it.

• Counter clockwise remove the product from bracket.

Take out the screws with a slotted screwdriver and remove smoke alarm from the bracket.

• Insert a slotted screwdriver into red plastic part on the base cover (Refer to Diagram 9).

• Rotate a screwdriver from the ON position to the OFF position counterclockwise.

• At this time, a red LED light up and indicating that the battery is discharging.

• Wait for at least One day, allow that the battery inside the product is fully exhausted. You can scrap and dispose it according to the local law.

Note:

1. When a red LED is off, it does not mean that the battery is exhausted, Must also allow the battery to fully discharge for at least Seven days.

2. Use this method to scrap the alarm if the is the end of life during out of warranty.

3. Please return to retailer and change another alarm during the Warranty.

4. Cannot install the smoke alarm again once he battery is discharged.

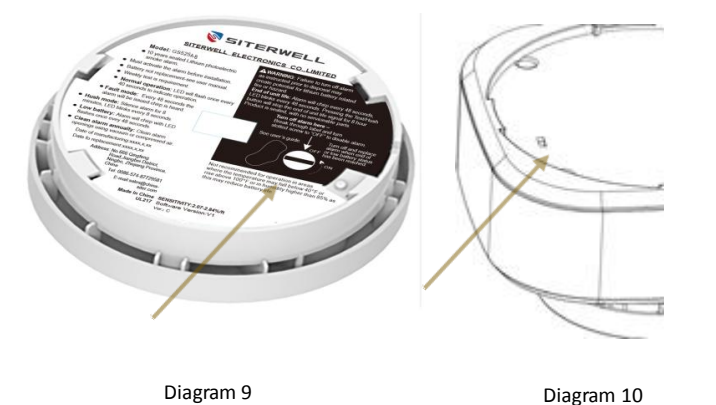


Diagram 9

Diagram 10

SERVICE AND WARRANTY

Company warrants to the original consumer. Purchase each new smoke alarm to be free from defects in material and workmanship under normal use and service for a period of 3 years from the date of purchase. This warranty does not cover damage resulting from accident, misuse or abuse or lack of reasonable care of the product. In no case shall company be liable for any incidental or consequential damages for breach of this or any other warranty express or implied, whatsoever. The bad product can be mailed to the following address with a detail explanation of problem. If after reviewing this manual you feel that your smoke alarm is defective in any way, do not tamper with the unit. Return it for servicing to:

SITERWELL ELECTRONICS CO., LIMITED

ADDRESS: No.666 Qingfeng Road, Jiangbei District, Ningbo, Zhejiang Province, China

TEL: 0086-574-87729581

FAX: 0086-574-87729581

E-MAIL: Sales @ china-siter.com