

# ICC A117.1 Comments on 1<sup>st</sup> Draft

Proposal list to the 2017 A117.1 for the 2023 edition –  
8-31-2023  
Chapter 6

## CHAPTER 6 PLUMBING ELEMENTS AND FACILITIES

### 06-01 – 2021 overview

Proposal number	Proponent	Standard Sections	Committee Actions	Mtg. Date	Notes; Groups; groupings
06-01	Paarlberg	602.4.1	AS 27-0-4	7-28-2022	

Comment	Proponent	Requested Action	Committee Action	Mtg. Date	Notes; Groups; groupings
<b>PC1</b>	Terminology	AM			Editorial

BC= Ballot Comment, PC= Public comment, **Bold Comment number** is proposed revision below

### 06-01 – 2021 602.4.1

**Proponent:** Kimberly Paarlberg, International Code Council

**Revise as follows:**

#### SECTION 602 DRINKING FOUNTAINS AND BOTTLE FILLING STATIONS

**602.4.1 Clear floor space.** A clear floor space complying with Section 305 positioned for a forward or side approach shall be provided.

**REASON:** This is somewhat of a “style” issue for the committee to consider, but it also provides clarity for the standard. While Section 305 is a “building block” section and is titled “Clear Floor Space”, since that is not a defined term, there truly is nothing to state that the clear space that this section is looking for must be of any specific size or configuration. If a designer or owner provided an 18” x 18” space similar to Section 703.3.11 or a space of any other size or configuration, how can any enforcing agency say it is not in compliance unless a specific reference or configuration is given?

This may be an item for an editorial task group to investigate. This is not the only section of the standard where this uncertainty exists. Plus, if a revision is made to only some locations, then the assumption would be that if any other section did not contain a reference that the intent was different and that a differently sized or configured space would be permitted. Unfortunately, the current standard is inconsistent. Many sections do contain the phrase “complying with Section 305” or they rely on references to other sections such as Section 309 and 309.2 which would then reference Section 305. In some sections a previous reference to Section 305 or 309 would be adequate and not every time the term “clear floor space” is used would the added reference be needed. Examples of other sections that could use this added reference are Sections 306.1, 407.2.1.3, 602.2.1 and others.

**Committee Action:** 27-0-4 As submitted

**REPORT OF HEARING:**

**Modification (if any):**

**Committee Reason:** Adding the reference to this section is editorial and add clarity. The editorial committee should investigate for consistency throughout the document.

**602.4.1-PAARLBERG.doc**

---

**06-01 – 2021 Public Comment 1**  
**602.4.1**

**Proponent:** Marsha Mazz, representing the Terminology Task Group

**Further revise as follows:**

**SECTION 602**  
**DRINKING FOUNTAINS AND BOTTLE FILLING STATIONS**

**602.4.1 Clear floor space.** A clear floor space ~~complying with Section 305~~ positioned for a forward or side approach shall be provided.

---

**REASON:** This is part of a proposal from the Terminology task group to define the building blocks so that a reference is not required. This public comment is included here because it was part of new text. Please see the complete proposal for additional information.

---

**Committee Action for Public Comment 1:**

**REPORT OF HEARING:**

**Modification (if any):**

**Committee Reason:**

**06-01 Terminology.doc**

**Committee Action for First Ballot:**

**REPORT OF HEARING:**

**Modification (if any):**

**Committee Reason:**

<b>Report for 06-01– 2021</b>		
<i>Committee decision: AS</i>	<i>Committee Vote at Meeting: 27-0-4</i>	<i>Committee Vote on Ballot:40-0-1</i>
<b>REPORT OF HEARING:</b>		
Modification (if any):		
Committee Reason: Adding the reference to this section is editorial and add clarity. The editorial committee should investigate for consistency throughout the document.		
<b>BALLOT COMMENT- FIRST DRAFT:</b>		
Proponent:		
Desired Action:		
Modification:		
Reason:		
<i>Committee decision: AS/AM/D</i>	<i>Committee Vote at Meeting:</i>	<i>Committee Vote on Ballot:</i>
<b>REPORT OF HEARING – FIRST DRAFT</b>		
Modification (if any):		
Committee Reason:		
<b>BALLOT COMMENT- SECOND DRAFT:</b>		
Proponent:		
Desired Action:		
Modification:		
Reason:		
<i>Committee decision: AS/AM/D</i>	<i>Committee Vote at Meeting:</i>	<i>Committee Vote on Ballot:</i>
<b>FINAL ACTION:</b>		
Modification (if any):		
Committee Reason:		

## 06-02 – 2021 overview

Propo sal numb er	Proponent	Standar d Section s	Commit tee Actions	Mtg. Date	Notes; Groups; groupings
06-02	Paarlberg	602.4.2	AS 25-4- 2	7-28- 2022	

Comme nt	Proponent	Requeste d Action	Commit tee Action	Mtg. Date	Notes; Groups; groupings
<b>PC1</b>	Terminology	AM			Editorial

BC= Ballot Comment, PC= Public comment, **Bold Comment number** is proposed revision below

## 06-02 – 2021 602.4.2

**Proponent:** Kimberly Paarlberg, International Code Council

**Revise as follows:**

### SECTION 602 DRINKING FOUNTAINS AND BOTTLE FILLING STATIONS

**602.4.2 Controls.** Controls for bottle filling stations shall be hand operated or automatic. Hand operated controls shall comply with Section 309. Automatic controls shall allow for bottle filling within the height requirements of Section 309.3.

---

**REASON:** As currently written, automatic controls are not regulated by Section 309 and therefore are not required to be within the reach range. The provisions of Sections 602.2 and 602.3 (specifically 602.2.2 and 602.3.1) require “operable parts” for the drinking fountains to comply with Section 309 and also establish a spout height requirement. Those height limits would be required whether the drinking fountains are hand operated or automatic. The bottle filling station provisions do not contain a similar requirement and therefore it could be argued that a bottle filling station may require either a reach above 48 inches or below 15 inches in order to operate. This requirement does not specify the filler height or require it to function within the entire range of 15 to 48 inches. The intent is simply that the automatic bottle filling controls should require the filling operation to be within the minimum and maximum reach ranges.

Committee Action: 25-4-2 As Submitted

### REPORT OF HEARING:

**Modification (if any):**

**Committee Reason:** The ability to activate automatic controls for bottle fillers by a seating person should be considered as well as their ability to manual operate controls.

**06-02 – 2021 Public Comment 1****602.4.2**

**Proponent:** Marsha Mazz, representing the Terminology Task Group

**Further revise as follows:**

**SECTION 602  
DRINKING FOUNTAINS AND BOTTLE FILLING STATIONS**

**602.4.2 Controls.** Controls for bottle filling stations shall be hand operated or automatic. Hand operated controls shall comply with ~~Section 309~~ **operable parts**. Automatic controls shall allow for bottle filling **operation** within the ~~height~~ **operable parts** requirements of Section 309.3.

**REASON:** This is part of a proposal from the Terminology task group to define the building blocks so that a reference is not required. This public comment is included here because it was part of new text. Please see the complete proposal for additional information.

**Committee Action for Public Comment 1:**

**REPORT OF HEARING:**

**Modification (if any):**

**Committee Reason:**

**06-02 Terminology.doc**

**Committee Action for First Ballot:**

**REPORT OF HEARING:**

**Modification (if any):**

**Committee Reason:**

<b>Report for 06-02– 2021</b>		
<i>Committee decision: AS</i>	<i>Committee Vote at Meeting: 25-4-2</i>	<i>Committee Vote on Ballot: 40-0-1</i>
<b>REPORT OF HEARING:</b>		
Modification (if any):		
Committee Reason: The ability to activate automatic controls for bottle fillers by a seating person should be considered as well as their ability to manual operate controls.		
<b>BALLOT COMMENT- FIRST DRAFT:</b>		
Proponent:		
Desired Action:		
Modification:		

**Report for 06-02– 2021**

Reason:

**Committee decision: AS/AM/D**

**Committee Vote at Meeting:**

**Committee Vote on Ballot:**

**REPORT OF HEARING – FIRST DRAFT**

Modification (if any):

Committee Reason:

**BALLOT COMMENT- SECOND DRAFT:**

Proponent:

Desired Action:

Modification:

Reason:

**Committee decision: AS/AM/D**

**Committee Vote at Meeting:**

**Committee Vote on Ballot:**

**FINAL ACTION:**

Modification (if any):

Committee Reason:

## 06-05 – 2021 overview

Proposal number	Proponent	Standard Sections	Committee Actions	Mtg. Date	Notes; Groups; groupings
06-05	Mazz	603.5	AS 21-9-1	7-28-2022	

Comment	Proponent	Requested Action	Committee Action	Mtg. Date	Notes; Groups; groupings
<b>BC1</b>	Paarlberg, ICC	Negative			
<b>PC1</b>	Skulski	D			

BC= Ballot Comment, PC= Public comment, **Bold Comment number** is proposed revision below

## 06-05 – 2021 603.5

**Proponent:** Marsha Mazz, representing United Spinal Association

**Revise as follows:**

### SECTION 603 TOILET AND BATHING ROOMS

**603.5 Diaper changing tables.** Diaper changing tables shall comply with Sections 309 and 902. Diaper changing tables shall not be located in toilet compartments required to comply with Section 604.9.

**REASON:** A common complaint among United Spinal Association members is that baby changing tables are left in the down position and are difficult, if not impossible, to return to a closed position because their location in an accessible compartment makes it impossible to get into position to close them. Even though Section 604.3.3 prohibits a diaper changing table from overlapping the clearance around the water closet, it can still block access to the toilet when in the open position.

Committee Action: 21-9-1 As Submitted

#### REPORT OF HEARING:

#### Modification (if any):

**Committee Reason:** The baby changing tables are often left in the open position. When this is in the accessible stall, this can be an obstruction for persons with disabilities that need that space to use the water closet.

**603.5-MAZZ.doc**

## 06-05 – 2021 Ballot Comments

<b>BALLOT COMMENT 1- FIRST DRAFT:</b>
<i>Proponent: Kim Paarlberg representing ICC</i>
<i>Desired Action: Negative with comment</i>
<i>Modification: See Ballot Comment 1</i>

## 06-05 – 2021 Ballot Comment 1

603.5

**Proponent:** Kimberly Paarlberg, ICC

**Modify the proposal with the following:**

**603.5 Diaper changing tables.** Diaper changing tables shall comply with Sections 309 and 902. Diaper changing tables shall ~~not be where~~ located in toilet compartments ~~required to comply with Section 604.9.~~ shall not overlap the clear floor space required for the water closet or the accessible route to the transfer space when in the useable position.

**Exception:** Self-closing diaper changing tables shall be permitted to be measured in the stowed position.

---

**REASON:** While we appreciate the concern about diaper changing stations possibly interfering with access to a wheelchair accessible water closet compartment when the station is inadvertently left in the open position, this appears to be more of an operational concern. This could be addressed by options such as self-rising tables, or tables located out of the way of the compartment door. This proposal would not allow for baby changing tables in any stalls, no matter how large. Many mothers use the compartment walls to contain their other children while they change an infant. Not all states require baby changing stations, so this could also result in small facilities not providing baby changing tables due to lack of space in the room. There needs to be a reasonable compromise.

---

**Committee Action for Ballot Comment 1:**

**REPORT OF HEARING:**

**Modification (if any):**

**Committee Reason:**

06-05 Paarlberg.doc

## 06-05 – 2021 Public Comment 1

603.5

**Proponent:** Jennifer Skulski, Skulski Consulting LLC

**Request disapproval.**



---

**REASON:**

While we appreciate that commentors have had negative experiences with broken diaper changing units obstructing the accessible route and turning space in the accessible toilet compartment, that is an issue of facility maintenance, not the rationale to introduce a restrictive and prohibitory technical provision. As a practitioner that conducts accessibility assessments of public facilities, our data indicates that broken diaper changing tables where the unit is stuck in the down position or does not completely fold up so not to obstruct the accessible route accounts for less than 10 percent of the total instances of non-compliance. Of that 10 percent, less than 2 percent of those instances is when the diaper changing table is located within the wheelchair accessible toilet compartment. The overwhelming issue of non-compliance with diaper changing tables is with the mounting height to pull the unit open and the resulting work surface height and knee clearance. The accessibility standards, while minimum requirements in their very nature, define what it means for an element or space to be “accessible” and serve as the gateway or jumping off point to more universal and inclusive designs that meet the needs of a wider spectrum of users. Approximately 12 percent of the U.S. population identifies as having a mobility impairment (Centers for Disease Control and Prevention. Disability and Health Data System, updated May 2023). The U.S. Department of Education's National Institute on Disability and Rehabilitation Research finds that more than 6.8 million community-resident Americans use assistive devices, such as wheelchairs, scooters, and walkers, to help them with mobility. Approximately 2.2 percent of the U.S. population, because of the use of a mobility device, require the extra space within the accessible toilet compartment. However, the spatial provisions of the accessible toilet compartment actually meet the needs of a much wider spectrum of users such as people who have neurodivergent diagnoses and parents or caregivers with small children. The extra space of the accessible toilet compartment can accommodate individuals with sensory impairments and social anxiety disorders who may feel confined in small spaces or disoriented by the acoustics of a heavily used public restroom. And, obviously, the size of the accessible toilet compartment is beneficial to parents of small children and caregivers, especially in existing facilities where a single user or family restroom is not available. Typically, wall-mounted diaper changing tables have been located near the main entrance or common wall of the public restroom, the busiest area of the restroom. For infants, toddlers, new parents, and caregivers, this high traffic area is stressful, lacks privacy, and creates an obstruction to the circulation path for other users. Locating the wall-mounted diaper changing table in the accessible toilet compartment is an attempt by facility owners to provide a more calming environment with privacy for the child and caregiver.

The proposed modifications for 06-05-2021 and 06-06-2021 restrict the use of the accessible toilet compartment rather than encouraging a more accessible and more inclusive design. The prohibitive tone of the proposed modifications lacks empathy for other user groups and the means by which accessible design can benefit people with disabilities along with their non-disabled family members, friends, and companions. We urge the committee to vacate the proposed modification.

---

**Committee Action for Public comment 1:****REPORT OF HEARING:****Modification (if any):****Committee Reason:**

---

**06-05 Skulski.doc**

## Committee Action for First Ballot:

## REPORT OF HEARING:

### Modification (if any):

### Committee Reason:

<b>Report for 06-05– 2021</b>		
<b>Committee decision:</b> AS	<b>Committee Vote at Meeting:</b> 21-9-1	<b>Committee Vote on Ballot:</b> 39-1-1
<b>REPORT OF HEARING:</b>		
Modification (if any):		
Committee Reason: The baby changing tables are often left in the open position. When this is in the accessible stall, this can be an obstruction for persons with disabilities that need that space to use the water closet.		
<b>BALLOT COMMENT 1- FIRST DRAFT:</b>		
<i>Proponent:</i> <b>Kim Paarlberg representing ICC</b>		
<i>Desired Action:</i> Negative with comment		
<i>Modification:</i>		
<b>Modify the proposal with the following:</b>		
<b>603.5 Diaper changing tables.</b> Diaper changing tables shall comply with Sections 309 and 902. Diaper changing tables shall <del>not be</del> <u>where</u> located in toilet compartments <del>required to comply with Section 604.9.</del> <u>shall not overlap the clear floor space required for the water closet or the accessible route to the transfer space when in the useable position.</u>		
<b>Exception:</b> <u>Self-closing diaper changing tables shall be permitted to be measured in the stowed position.</u>		
<i>Reason:</i> While we appreciate the concern about diaper changing stations possibly interfering with access to a wheelchair accessible water closet compartment when the station is inadvertently left in the open position, this appears to be more of an operational concern. This could be addressed by options such as self-rising tables, or tables located out of the way of the compartment door. This proposal would not allow for baby changing tables in any stalls, no matter how large. Many mothers use the compartment walls to contain their other children while they change an infant. Not all states require baby changing stations, so this could also result in small facilities not providing baby changing tables due to lack of space in the room. There needs to be a reasonable compromise.		
<b>Committee decision:</b> AS/AM/D	<b>Committee Vote at Meeting:</b>	<b>Committee Vote on Ballot:</b>
<b>REPORT OF HEARING – FIRST DRAFT</b>		
Modification (if any):		
Committee Reason:		
<b>BALLOT COMMENT- SECOND DRAFT:</b>		
<i>Proponent:</i>		
<i>Desired Action:</i>		
<i>Modification:</i>		
<i>Reason:</i>		
<b>Committee decision:</b> AS/AM/D	<b>Committee Vote at Meeting:</b>	<b>Committee Vote on Ballot:</b>
<b>FINAL ACTION:</b>		
Modification (if any):		
Committee Reason:		

## 06-06 – 2021 overview

Proposal number	Proponent	Standard Sections	Committee Actions	Mtg. Date	Notes; Groups; groupings
06-06	Boecker	603.5	AM 23-5-2	7-28-2022	

Comment	Proponent	Requested Action	Committee Action	Mtg. Date	Notes; Groups; groupings
<b>BC1</b>	Paarlberg, ICC	Negative			Same as 06-05-2021
<b>PC1</b>	Skulski	D			Same as 06-05-2021

BC= Ballot Comment, PC= Public comment, **Bold Comment number** is proposed revision below

## 06-06 – 2021 603.5

**Proponent:** Gene Boecker, Code Consultants, Inc.

**Add new text as follows:**

### SECTION 603 TOILET AND BATHING ROOMS

**603.5 Diaper changing tables.** Diaper changing tables shall comply with Sections 309 and 902 and shall not be located within a toilet compartment.

**REASON:** It makes no sense to allow this combination. A person needing to use the water closet should not have to wait until the baby is changed and people are out of the compartment. Although the time for both activities may be somewhat similar there is no reason why the location of the diaper changing table should add to the possibility that someone is in the accessible compartment.

Conversely, it is equally unreasonable to ask for someone to stand by, holding a baby who needs changed and wait for someone to finish using the toilet compartment. This is a reasonable proposal and should be included in the standard.

Staff Note: As modified to match 06-05

Committee Action:                    23-5-2                    As Modified

### **REPORT OF HEARING:**

**Modification (if any):**

**Replace the proposal with the following:**

**603.5 Diaper changing tables.** Diaper changing tables shall comply with Sections 309 and 902. Diaper changing tables shall not be located in toilet compartments required to comply with Section 604.9.

**Committee Reason:** The intent of this proposal and 06-05 are the same. Rather than disapprove this change based on prior action the committee voted to modify this proposal to match 06-05. See 06-05 for the committee reason for this modification.

603.5-BOECKER.doc

---

## 06-06 – 2021 Ballot Comments

<b>BALLOT COMMENT 1- FIRST DRAFT:</b>
<i>Proponent:</i> <b>Kim Paarlberg representing ICC</b>
Desired Action: Negative with comment
<i>Modification:</i> See Ballot Comment 1 for 06-05-2021

### 06-06 – 2021 Ballot Comment 1 603.5

**Proponent:** Kimberly Paarlberg, ICC

See Comment to 06-05-2021 Ballot Comment 1

---

**REASON:** See Comment to 06-05-2021 Ballot Comment 1

---

**Committee Action for Ballot Comment 1:**

**REPORT OF HEARING:**

**Modification (if any):**

**Committee Reason:**

06-06 Paarlberg.doc

---

### 06-06 – 2021 Public Comment 1 603.5

**Proponent:** Jennifer Skulski, Skulski Consulting LLC

See Comment to 06-05-2021 Public Comment 1

---

**REASON:** See Comment to 06-05-2021 Ballot Comment 1

---

**Committee Action for Public Comment 1:**

**REPORT OF HEARING:**

**Modification (if any):**

**Committee Reason:**

06-05 Skulski.doc

**Committee Action for First Ballot:**

**REPORT OF HEARING:**

**Modification (if any):**

**Committee Reason:**

<b>Report for 06-06– 2021</b>		
<i>Committee decision: AM</i>	<i>Committee Vote at Meeting: 23-5-2</i>	<i>Committee Vote on Ballot:39-1-1</i>
<b>REPORT OF HEARING:</b> Modification (if any): Replace the proposal with the following:  <b>603.5 Diaper changing tables.</b> Diaper changing tables shall comply with Sections 309 and 902. <u>Diaper changing tables shall not be located in toilet compartments required to comply with Section 604.9.</u>		
<b>Committee Reason:</b> The intent of this proposal and 06-05 are the same. Rather than disapprove this change based on prior action the committee voted to modify this proposal to match 06-05. See 06-05 for the committee reason for this modification.		
<b>BALLOT COMMENT 1- FIRST DRAFT:</b> <i>Proponent: Kim Paarlberg representing ICC</i> Desired Action: Negative with comment  <i>Modification:</i> <b>Modify the proposal with the following:</b>  <b>603.5 Diaper changing tables.</b> Diaper changing tables shall comply with Sections 309 and 902. Diaper changing tables shall <u>not be where</u> located in toilet compartments <u>required to comply with Section 604.9. shall not overlap the clear floor space required for the water closet or the accessible route to the transfer space when in the useable position.</u> <b>Exception:</b> Self-closing diaper changing tables shall be permitted to be measured in the stowed position.  <i>Reason:</i> While we appreciate the concern about diaper changing stations possibly interfering with access to a wheelchair accessible water closet compartment when the station is inadvertently left in the open position, this appears to be more of an operational concern. This could be addressed by options such as self rising tables, or tables located out of the way of the compartment door. This proposal would not allow for baby changing tables in any stalls, not matter how large. Many mothers use the compartment walls to contain their other children while they change an infant. Not all states require baby changing stations, so this could also result in small facilities not providing baby changing tables due to lack of space in the room. There needs to be a reasonable compromise.		
<i>Committee decision: AS/AM/D</i>	<i>Committee Vote at Meeting:</i>	<i>Committee Vote on Ballot:</i>
<b>REPORT OF HEARING – FIRST DRAFT</b> Modification (if any): Committee Reason:		
<b>BALLOT COMMENT- SECOND DRAFT:</b> Proponent: Desired Action: Modification: Reason:		
<i>Committee decision: AS/AM/D</i>	<i>Committee Vote at Meeting:</i>	<i>Committee Vote on Ballot:</i>
<b>FINAL ACTION:</b> Modification (if any): Committee Reason:		

## 06-07 – 2021 overview

Propo sal numb er	Proponent	Standar d Section s	Commit tee Actions	Mtg. Date	Notes; Groups; groupings
06-07	Paarlberg	603.6	D 28-1-0	7-28- 2022	

Comme nt	Proponent	Requeste d Action	Commit tee Action	Mtg. Date	Notes; Groups; groupings
BC1	Thompson, PMI	Negative			
<b>BC2</b>	Paarlberg, ICC	Negative			

BC= Ballot Comment, PC= Public comment, **Bold Comment number** is proposed revision below

## 06-07 – 2021 603.6

**Proponent:** Kimberly Paarlberg, International Code Council

**Revise text as follows:**

### SECTION 603 TOILET AND BATHING ROOMS

**603.6 Operable parts.** Operable parts on at least one towel dispensers ~~and~~ or hand dryers serving lavatories ~~complying with Section 606~~ shall comply with Table 603.6.

**TABLE 603.6  
MAXIMUM REACH DEPTH AND HEIGHT**

<b>Maximum Reach Depth</b>	0.5 inch (13 mm)	2 inches (51 mm)	5 inches (125 mm)	6 inches (150 mm)	9 inches (230 mm)	11 inches (280 mm)
<b>Maximum Reach Height</b>	48 inches (1220 mm)	46 inches (1170 mm)	42 inches (1065 mm)	40 inches (1015 mm)	36 inches (915 mm)	34 inches (865 mm)

**REASON:** The intent of this proposal is a coordination between this requirement typical minimum requirements in a toilet room.

Table 603.6 effectively does not allow for a towel dispenser or hand dryer to be located over a counter. Best/common design practice is to now make all lavatories in a bathroom comply with Section 606. By changing this required to say at least one towel dispense and hand dryers has to meet the reach depths, that allows for other towel dispensers to be located over the counters. Thus Little People of America will always

have access to at least one, and other towel dispensers can be located over the lavatories. This would be consistent with the typical requirement for ‘at least one’ of other items in the toilet room. This would also allow for the reach in style of hand dryers is there was an accessible feature in the room (which I do not know how to make accessible). There is even a kind of hand dryer now that is in the lavatory.



Example of one towel dispenser meeting table and one not.



Example of reach in hand dryer.



Hand dryer in the lavatory.

Committee Action: 28-1-0 Disapproved

**REPORT OF HEARING:**

**Modification (if any):**

**Committee Reason:** This proposal an 06-08 are addressing similar issues. See the committee reason for 06-08.

**603.6-PAARLBERG.doc**

**06-07 – 2021 Ballot Comments**

<b>BALLOT COMMENT 1- FIRST DRAFT:</b>
<i>Proponent:</i> <b>Kyle Thompson representing PMI</b>
<i>Desired Action:</i> Negative with comment
<i>Modification:</i>
<i>Reason:</i> The standard currently requires that all towel dispensers and hand dryers in a bathroom comply with Table 603.6 which is impractical. The requirement should be applied in such a way as to provide equal access to disabled communities. The intent of the proposed revision is to ensure that a person has access to at least one hand drying method associated with an accessible lavatory complying with Section 606. The hand drying method must depend on the type of appliances that are installed for drying hands which could be either a towel dispenser or a hand dryer.



**BALLOT COMMENT 2- FIRST DRAFT:**  
*Proponent: Kim Paarlberg representing ICC*  
*Desired Action: Negative with comment*  
*Modification: See Ballot Comment 2*

**06-07 – 2021 Ballot Comment 2**  
**603.6**

**Proponent: Kimberly Paarlberg, ICC**

**Replace with the following:**

**SECTION 603**  
**TOILET AND BATHING ROOMS**

**603.6 Operable parts.** Operable parts on at least one towel dispensers and hand dryers serving lavatories ~~complying with Section 606~~ shall comply with Table 603.6. At least one towel dispenser and one hand dryers serving the required accessible lavatory shall comply with Section 309.

**TABLE 603.6**  
**MAXIMUM REACH DEPTH AND HEIGHT**

<b>Maximum Reach Depth</b>	0.5 inch (13 mm)	2 inches (51 mm)	5 inches (125 mm)	6 inches (150 mm)	9 inches (230 mm)	11 inches (280 mm)
<b>Maximum Reach Height</b>	48 inches (1220 mm)	46 inches (1170 mm)	42 inches (1065 mm)	40 inches (1015 mm)	36 inches (915 mm)	34 inches (865 mm)

**REASON:** This was attempted to be addressed in 6-07 and 6-08. The original proposals intended to clarify that at least one towel dispenser/hand dryer had to comply with the reach requirements set by Little People. The committee asked that this also be clarified for persons using wheelchairs at the accessible lavatory.

**Committee Action for Ballot Comment 2:**

**REPORT OF HEARING:**

**Modification (if any):**

**Committee Reason:**

**06-07 Paarlberg.doc**

**Committee Action for First Ballot:**

**REPORT OF HEARING:**

**Modification (if any):**

**Committee Reason:**

<b>Report for 06-07– 2021</b>						
<b>Committee decision: D</b>	<b>Committee Vote at Meeting: 28-1-0</b>	<b>Committee Vote on Ballot:38-2-1</b>				
<b>REPORT OF HEARING:</b>						
Modification (if any):						
Committee Reason: This proposal on 06-08 are addressing similar issues. See the committee reason for 06-08.						
<b>BALLOT COMMENT 1- FIRST DRAFT:</b>						
Proponent: <b>Kyle Thompson representing PMI</b>						
Desired Action: Negative with comment						
Modification:						
Reason: The standard currently requires that all towel dispensers and hand dryers in a bathroom comply with Table 603.6 which is impractical. The requirement should be applied in such a way as to provide equal access to disabled communities. The intent of the proposed revision is to ensure that a person has access to at least one hand drying method associated with an accessible lavatory complying with Section 606. The hand drying method must depend on the type of appliances that are installed for drying hands which could be either a towel dispenser or a hand dryer.						
<b>BALLOT COMMENT 2- FIRST DRAFT:</b>						
Proponent: <b>Kim Paarlberg representing ICC</b>						
Desired Action: Negative with comment						
Modification: <b>Replace with the following:</b>						
<p><b>SECTION 603</b> <b>TOILET AND BATHING ROOMS</b></p>						
<p><b>603.6 Operable parts.</b> Operable parts <u>on at least one</u> towel dispensers and hand dryers serving lavatories <del>complying with Section 606</del> shall comply with Table 603.6. <u>At least one towel dispenser and one hand dryers serving the required accessible lavatory shall comply with Section 309.</u></p>						
<p><b>TABLE 603.6</b> <b>MAXIMUM REACH DEPTH AND HEIGHT</b></p>						
<b>Maximum Reach Depth</b>	0.5 inch (13 mm)	2 inches (51 mm)	5 inches (125 mm)	6 inches (150 mm)	9 inches (230 mm)	11 inches (280 mm)
<b>Maximum Reach Height</b>	48 inches (1220 mm)	46 inches (1170 mm)	42 inches (1065 mm)	40 inches (1015 mm)	36 inches (915 mm)	34 inches (865 mm)
Reason: This was attempted to be addressed in 6-07 and 6-08. The original proposals intended to clarify that at least one towel dispenser/hand dryer had to comply with the reach requirements set by Little People. The committee asked that this also be clarified for persons using wheelchairs at the accessible lavatory.						
<b>Committee decision: AS/AM/D</b>	<b>Committee Vote at Meeting:</b>	<b>Committee Vote on Ballot:</b>				
<b>REPORT OF HEARING – FIRST DRAFT</b>						
Modification (if any):						
Committee Reason:						
<b>BALLOT COMMENT- SECOND DRAFT:</b>						
Proponent:						
Desired Action:						
Modification:						
Reason:						
<b>Committee decision: AS/AM/D</b>	<b>Committee Vote at Meeting:</b>	<b>Committee Vote on Ballot:</b>				
<b>FINAL ACTION:</b>						
Modification (if any):						
Committee Reason:						

## 06-08 – 2021 overview

Propo sal numb er	Proponent	Standar d Section s	Commit tee Actions	Mtg. Date	Notes; Groups; groupings
06-08	Thompson	603.6	D 27-3-1	7-28- 2022	

Comme nt	Proponent	Requeste d Action	Commit tee Action	Mtg. Date	Notes; Groups; groupings
BC1	Thompson, PMI	Negative			
BC2	Paarlberg, ICC	Negative			See 06-07

BC= Ballot Comment, PC= Public comment, **Bold Comment number** is proposed revision below

## 06-08 – 2021 603.6

**Proponent:** Kyle Thompson, Plumbing Manufacturers International (PMI)

**Revise as follows:**

### SECTION 603 TOILET AND BATHING ROOMS

**603.6 Operable parts.** Operable parts on one towel dispensers ~~and~~ or one hand dryers in each toilet or bathing room serving lavatories complying with Section 606 shall comply with Table 603.6.

**TABLE 603.6  
MAXIMUM REACH DEPTH AND HEIGHT**

<b>Maximum Reach Depth</b>	0.5 inch (13 mm)	2 inches (51 mm)	5 inches (125 mm)	6 inches (150 mm)	9 inches (230 mm)	11 inches (280 mm)
<b>Maximum Reach Height</b>	48 inches (1220 mm)	46 inches (1170 mm)	42 inches (1065 mm)	40 inches (1015 mm)	36 inches (915 mm)	34 inches (865 mm)

**REASON:** This proposed change clarifies that only one towel dispenser or hand dryer must meet the requirements of the table. The current text could apply that every towel dispenser or hand dryer in a toilet or bathing room must comply with Table 603.6. This would be consistent with the other accessible requirements for plumbing fixtures and fixture fittings in a public bathroom.

Committee Action:                    27-3-1                    Disapprove

**REPORT OF HEARING:**

**Modification (if any):**

**Committee Reason:** The committee was concerned at ‘or’ instead of ‘and’ would not require both a hand dryer and a towel dispenser if both were provided. This proposal would address the hand dryer/towel dispenser for Little People of America (who originally proposed Section/Table 603.6, but it would not address the requirements for the hand dryer/towel dispenser for persons in a wheelchair using the accessible lavatory.

603.6-THOMPSON.doc

**06-08 – 2021 Ballot Comments**

<b>BALLOT COMMENT 1- FIRST DRAFT:</b>
<i>Proponent:</i> <b>Kyle Thompson representing PMI</b>
<i>Desired Action:</i> Negative with comment
<i>Modification:</i>
<i>Reason:</i> This proposed revision is intended to address the same impractical requirement as Item 6-07-2021. In that the standard currently requires that all towel dispensers and hand dryers in a bathroom comply with Table 603.6 which is impractical. The requirement should be applied in such a way as to provide equal access to disabled communities. The intent of the proposed revision is to ensure that a person has access to at least one hand drying method associated with any toilet or bathing room. The hand drying method must depend on the type of appliances that are installed for drying hands which could be either a towel dispenser or a hand dryer.
<b>BALLOT COMMENT 2- FIRST DRAFT:</b>
<i>Proponent:</i> <b>Kim Paarlberg representing ICC</b>
<i>Desired Action:</i> Negative with comment
<i>Modification:</i>
<i>Reason:</i> This was attempted to be addressed in 6-07 and 6-08. See 06-07 for suggestion.

**Committee Action for First Ballot:**

**REPORT OF HEARING:**

**Modification (if any):**

**Committee Reason:**

<b>Report for 06-08– 2021</b>		
<i>Committee decision:</i> D	<i>Committee Vote at Meeting:</i> 27-3-1	<i>Committee Vote on Ballot:</i> 38-2-1
<b>REPORT OF HEARING:</b>		
<i>Modification (if any):</i>		
<i>Committee Reason:</i> The committee was concerned at ‘or’ instead of ‘and’ would not require both a hand dryer and a towel dispenser if both were provided. This proposal would address the hand dryer/towel dispenser for Little People of America (who originally proposed		

**Report for 06-08– 2021**

Section/Table 603.6, but it would not address the requirements for the hand dryer/towel dispenser for persons in a wheelchair using the accessible lavatory.

**BALLOT COMMENT 1- FIRST DRAFT:**

*Proponent:* **Kyle Thompson representing PMI**

*Desired Action:* Negative with comment

*Modification:*

*Reason:* This proposed revision is intended to address the same impractical requirement as Item 6-07-2021. In that the standard currently requires that all towel dispensers and hand dryers in a bathroom comply with Table 603.6 which is impractical. The requirement should be applied in such a way as to provide equal access to disabled communities. The intent of the proposed revision is to ensure that a person has access to at least one hand drying method associated with any toilet or bathing room. The hand drying method must depend on the type of appliances that are installed for drying hands which could be either a towel dispenser or a hand dryer.

**BALLOT COMMENT 2- FIRST DRAFT:**

*Proponent:* **Kim Paarlberg representing ICC**

*Desired Action:* Negative with comment

*Modification:*

*Reason:* This was attempted to be addressed in 6-07 and 6-08. See 06-07 for suggestion.

**Committee decision:** *AS/AM/D*

**Committee Vote at Meeting:**

**Committee Vote on Ballot:**

**REPORT OF HEARING – FIRST DRAFT**

Modification (if any):

Committee Reason:

**BALLOT COMMENT- SECOND DRAFT:**

Proponent:

Desired Action:

Modification:

Reason:

**Committee decision:** *AS/AM/D*

**Committee Vote at Meeting:**

**Committee Vote on Ballot:**

**FINAL ACTION:**

Modification (if any):

Committee Reason:

## 06-09 – 2021 overview

Proposal number	Proponent	Standard Sections	Committee Actions	Mtg. Date	Notes; Groups; groupings
06-09	Boecker	603.6	D 24-1-0	7-28-2022	

Comment	Proponent	Requested Action	Committee Action	Mtg. Date	Notes; Groups; groupings
BC1	McNamara	Affirmative			

BC= Ballot Comment, PC= Public comment, **Bold Comment number** is proposed revision below

## 06-09 – 2021

### 603.6

**Proponent:** Gene Boecker, Code Consultants, Inc.

**Revise as follows:**

### SECTION 603 TOILET AND BATHING ROOMS

**603.6 Operable parts.** Operable parts and openings on towel dispensers and hand dryers serving lavatories complying with Section 606 shall comply with Table 603.6. Openings on seat cover dispensers serving accessible water closets complying with Section 604 shall be located within the reach ranges in accordance with Section 308.

**TABLE 603.6  
MAXIMUM REACH DEPTH AND HEIGHT**

<b>Maximum Reach Depth</b>	0.5 inch (13 mm)	2 inches (51 mm)	5 inches (125 mm)	6 inches (150 mm)	9 inches (230 mm)	11 inches (280 mm)
<b>Maximum Reach Height</b>	48 inches (1220 mm)	46 inches (1170 mm)	42 inches (1065 mm)	40 inches (1015 mm)	36 inches (915 mm)	34 inches (865 mm)

**REASON:** Sometimes there are no parts of accessible elements that are “operable” so “openings for access to” is included in the sentence. Typically, paper towel dispensers have no operable parts; only the place where the towel is extracted from the dispenser.

Seat cover dispensers are added to this list since that are also elements provided within toilet rooms that should be within reach range. And, like paper towel dispensers, they require grasping and pulling to extract the seat cover from the dispenser. Therefore, they should be regulated the same as any other, similar dispenser.

The phrase “serving lavatories” isn’t needed and could be counterproductive. How can a person know if the hand dryer is serving a lavatory? Is it serving a kitchen sink the need is the same. If it is serving some

other function, then it is not a hand dryer. This also eliminates the confusion for what to do when the diaper changing table has a paper towel dispenser associated with it. It too should be within reach range.

The exception is added because the reach range provisions are primarily for wheelchair concerns and the wheelchair accessible compartment affords those needs. Also, the seat cover dispenser is often located on the rear wall of the ambulatory compartment because there is so little other available real estate within the compartment for things to be located.

Committee Action: 24-1-0 Disapproved

**REPORT OF HEARING:**

**Modification (if any):**

**Committee Reason:** This section is for toilet and bathing rooms. The requirement for seat covers is referencing toilet stalls, so this issue should addressed there or be applicable to single occupant toile rooms and stalls. This could be read to be the entire opening instead of just where you pull out the paper. This could be read to include all openings – including the mechanism to fill these dispensers.

603.6-BOECKER.doc

**06-09 – 2021 Ballot Comments**

<b>BALLOT COMMENT 1- FIRST DRAFT:</b>
<i>Proponent: Sean McNamara representing Target</i>
<i>Desired Action: Affirmative with comment</i>
<i>Modification:</i>
<i>Reason: Reason behind proposal is already addressed by the definition of operable part.</i>

**Committee Action for First Ballot:**

**REPORT OF HEARING:**

**Modification (if any):**

**Committee Reason:**

<b>Report for 06-09– 2021</b>		
<i>Committee decision: D</i>	<i>Committee Vote at Meeting: 24-1-0</i>	<i>Committee Vote on Ballot:39-1-1</i>
<b>REPORT OF HEARING:</b>		
Modification (if any):		
Committee Reason: This section is for toilet and bathing rooms. The requirement for seat covers is referencing toilet stalls, so this issue should addressed there or be applicable to single occupant toile rooms and stalls. This could be read to be the entire opening instead of just where you pull out the paper. This could be read to include all openings – including the mechanism to fill these dispensers.		
<b>BALLOT COMMENT 1- FIRST DRAFT:</b>		
<i>Proponent: Sean McNamara representing Target</i>		
<i>Desired Action: Affirmative with comment</i>		
<i>Modification:</i>		
<i>Reason: Reason behind proposal is already addressed by the definition of operable part.</i>		
<i>Committee decision: AS/AMD</i>	<i>Committee Vote at Meeting:</i>	<i>Committee Vote on Ballot:</i>
<b>REPORT OF HEARING – FIRST DRAFT</b>		
Modification (if any):		

**Report for 06-09– 2021**

Committee Reason:

**BALLOT COMMENT- SECOND DRAFT:**

Proponent:

Desired Action:

Modification:

Reason:

**Committee decision: AS/AMD**

**Committee Vote at Meeting:**

**Committee Vote on Ballot:**

**FINAL ACTION:**

Modification (if any):

Committee Reason:



## 06-10 – 2021 overview

Proposal number	Proponent	Standard Sections	Committee Actions	Mtg. Date	Notes; Groups; groupings
06-10	Mazz	603.7(New )	AS 24-4-3	8-11-2022	

Comment	Proponent	Requested Action	Committee Action	Mtg. Date	Notes; Groups; groupings
<b>PC1</b>	Terminology	AM			Editorial

BC= Ballot Comment, PC= Public comment, **Bold Comment number** is proposed revision below

## 06-10 – 2021

### 603.7(New)

**Proponent:** Marsha Mazz, representing United Spinal Association

**Add new text as follows:**

#### SECTION 603 TOILET AND BATHING ROOMS

**603.7 Dispensers for Accessories.** Where provided, at least one of each type of dispenser for accessories shall be located on an accessible route and the operable parts of the dispenser shall comply with Section 309.

**REASON:** We are proposing to add this new section to address dispensers typically provided in toilet and bathing rooms, such as those for feminine hygiene or other products for personal care. In our work, surveying properties for compliance with ICC A117.1, we find that installers frequently overlook accessibility to these amenities.

**Committee Action:** 24-4-3 As Submitted

**REPORT OF HEARING:**

**Modification (if any):**

**Committee Reason:** This new section to address dispensers typically provided in toilet and bathing rooms and what must be accessible.

**603.7-MAZZ.doc**

## 06-10 – 2021 Public Comment 1

### 603.7

**Proponent:** Marsha Mazz, representing the Terminology Task Group

**Further revise as follows:**

**SECTION 603  
TOILET AND BATHING ROOMS**

**603.7 Dispensers for Accessories.** Where provided, at least one of each type of dispenser for accessories shall be located on an accessible route and ~~the~~ comply with operable parts ~~of the dispenser shall comply with Section 309.~~

**REASON:** This is part of a proposal from the Terminology task group to define the building blocks so that a reference is not required. This public comment is included here because it was part of new text. Please see the complete proposal for additional information.

**Committee Action for Public Comment 1:**

**REPORT OF HEARING:**

**Modification (if any):**

**Committee Reason:**

**06-10 Terminology.doc**

**Committee Action for First Ballot:**

**REPORT OF HEARING:**

**Modification (if any):**

**Committee Reason:**

<b>Report for 06-10- 2021</b>		
<i>Committee decision: AS</i>	<i>Committee Vote at Meeting: 24-4-3</i>	<i>Committee Vote on Ballot: 40-0-1</i>
<b>REPORT OF HEARING:</b>		
Modification (if any):		
Committee Reason: This new section to address dispensers typically provided in toilet and bathing rooms and what must be accessible.		
<b>BALLOT COMMENT- FIRST DRAFT:</b>		
Proponent:		
Desired Action:		
Modification:		
Reason:		
<i>Committee decision: AS/AM/D</i>	<i>Committee Vote at Meeting:</i>	<i>Committee Vote on Ballot:</i>
<b>REPORT OF HEARING – FIRST DRAFT</b>		
Modification (if any):		
Committee Reason:		
<b>BALLOT COMMENT- SECOND DRAFT:</b>		
Proponent:		
Desired Action:		
Modification:		
Reason:		
<i>Committee decision: AS/AM/D</i>	<i>Committee Vote at Meeting:</i>	<i>Committee Vote on Ballot:</i>
<b>FINAL ACTION:</b>		
Modification (if any):		
Committee Reason:		

## 06-11 – 2021 overview

Proposal number	Proponent	Standard Sections	Committee Actions	Mtg. Date	Notes; Groups; groupings
06-11	Boecker	603.7(New )	AS 19-9-5	8-11-2022	

Comment	Proponent	Requested Action	Committee Action	Mtg. Date	Notes; Groups; groupings
<b>BC1</b>	Paarlberg, ICC	Negative			
BC2	Buuck, NAHB	Affirmative			
BC3	Thompson, PMI	Negative			

BC= Ballot Comment, PC= Public comment, **Bold Comment number** is proposed revision below

## 06-11 – 2021

### 603.7(New)

**Proponent:** Gene Boecker, Code Consultants, Inc.

**Add new text as follows:**

### SECTION 603 TOILET AND BATHING ROOMS

**603.7 Benches.** Where shower rooms include space for changing clothes, accessible shower rooms shall include a bench complying with Section 903. Where benches are located within shower compartments, the accessible bench shall be provided within the accessible shower compartment.

**REASON:** To get into a shower and back into public spaces requires changing clothes. This is why the provisions in Section 803 were created because Dressing, Fitting and Locker rooms all involve changing clothes. Unfortunately, the way the current text is written, if a group locker room is provided with a Men’s shower room and a Women’s shower room, the accessible bench can comply and be located in the locker area, outside privacy separations. The bench should be provided where other benches are provided. If there are benches in the shower room, an accessible bench should be provided in the accessible shower room or compartment.

**Committee Action:** 19-9-5 As Submitted

#### **REPORT OF HEARING:**

**Modification (if any):**

**Committee Reason:** Dressing rooms adjacent to shower compartments need to be addressed. There was a concern about the terms in the first sentence not being commonly understood. In the 2<sup>nd</sup> sentence the bench is outside the shower compartment, not within. The proponent needs to bring forward some revisions.

## 06-11 – 2021 Ballot Comments

### BALLOT COMMENT 1- FIRST DRAFT:

Proponent: *Kimberly Paarlberg, ICC*

Desired Action: Negative with comment

Modification: See Ballot Comment 1

### BALLOT COMMENT 2- FIRST DRAFT:

Proponent: *Daniel Buck, NAHB*

Desired Action: Affirmative with comment

Modification: See Ballot Comment 2

### BALLOT COMMENT 3- FIRST DRAFT:

Proponent: *Kyle Thompson, PMI*

Desired Action: Negative with comment

Modification:

Reason: The original proposal was outside of the scope of A117.1. Rough in requirements belong in the building and plumbing codes. The proposed modification would address the concern noted in the original proposal “that water closets are set far away from the back wall” without specifying the rough in location of the drain line connection. We agree with the committee that if the real issue is the space in front of the WC, then the dimension of that space should be defined versus specifying rough in dimensions or limiting the WC design/dimensions.

## 06-11 – 2021 Ballot Comment 1

### 603.7

**Proponent:** Kimberly Paarlberg, ICC

#### Further revise as follows:

**603.7 Benches.** ~~Where shower rooms include space for changing clothes accessible shower rooms shall include a bench complying with Section 903. Where benches are located within shower compartments, the accessible bench shall be provided within the accessible shower compartment.~~ Where bathing rooms include changing rooms or changing alcoves adjacent to showers, the changing room or changing alcove serving the accessible shower compartment shall directly access the accessible shower and meet the dressing room requirements in Section 803.

**REASON:** While I agree with the intent, there are problems with the language. This section is about toilet and bathing rooms – this says shower rooms. All locker rooms with showers have space for changing. The last sentence could be read to exempt the permanent seat in the shower by saying the bench is in the shower compartment – is that in front, or in the shower itself? Shower compartment is what ICC A117.1 uses for the shower itself in Section 608. By referencing Section 803 you will get a turning space to facilitate dressing and transfer to the shower, the bench and hooks and shelves.

This figure is in the 2017 ICC A117.1 commentary.

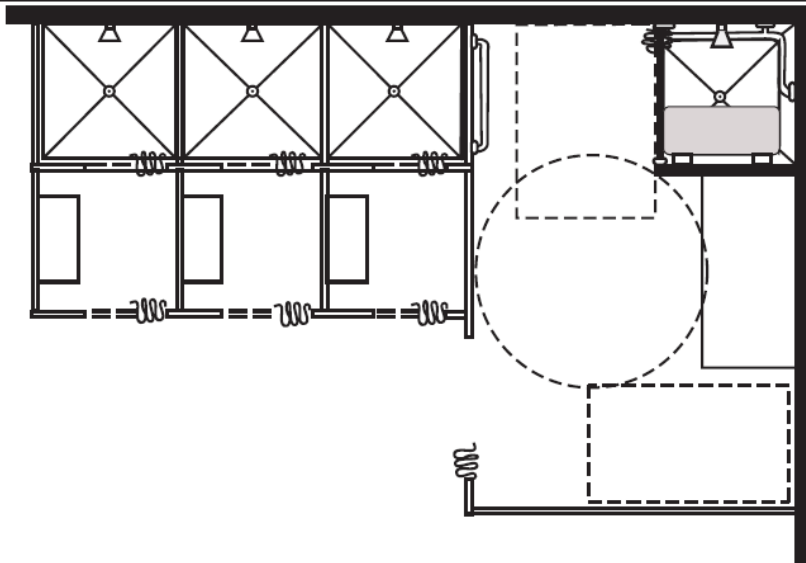


Figure C608.2.1.2(b)  
TRANSFER SHOWER WITH DRESSING ROOMS

**Committee Action for Ballot Comment 1:**

**REPORT OF HEARING:**

**Modification (if any):**

**Committee Reason:**

06-11 Paarlberg.doc

**Committee Action for First Ballot:**

**REPORT OF HEARING:**

**Modification (if any):**

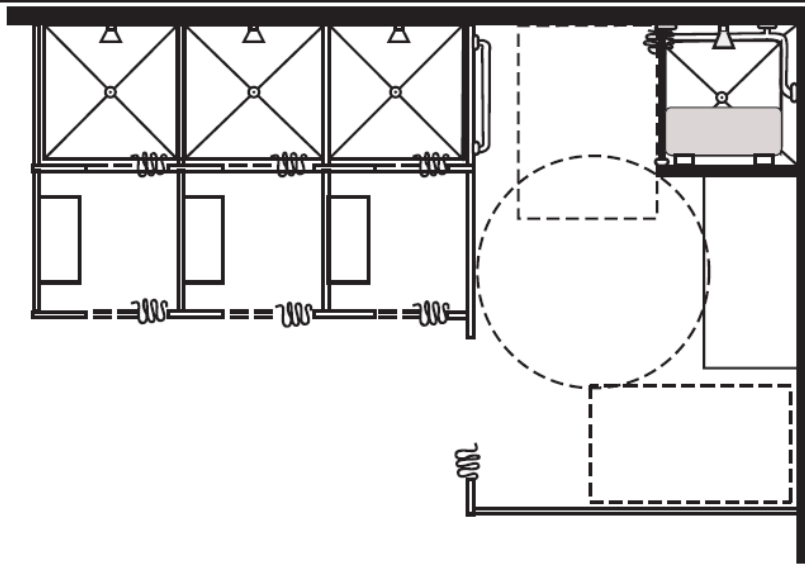
**Committee Reason:**

<b>Report for 06-11-2021</b>		
<i>Committee decision: AS</i>	<i>Committee Vote at Meeting: 19-9-5</i>	<i>Committee Vote on Ballot: 37-3-1</i>
<b>REPORT OF HEARING:</b>		
Modification (if any):		
Committee Reason: Dressing rooms adjacent to shower compartments need to be addressed. There was a concern about the terms in the first sentence not being commonly understood. In the 2 <sup>nd</sup> sentence the bench is outside the shower compartment, not within. The proponent needs to bring forward some revisions.		
<b>BALLOT COMMENT 1- FIRST DRAFT:</b>		
Proponent: <i>Kimberly Paarlberg, ICC</i>		
Desired Action: Negative with comment		
Modification:		
<b>Further revise as follows:</b>		
<p><b>603.7 Benches.</b> <del>Where shower rooms include space for changing clothes accessible shower rooms shall include a bench complying with Section 903. Where benches are located within shower compartments, the accessible bench shall be provided within the accessible shower compartment. Where bathing rooms include changing rooms or changing alcoves adjacent to showers, the changing room or changing alcove serving the accessible shower compartment shall directly access the accessible shower and meet the dressing room requirements in Section 803.</del></p>		

**Report for 06-11-2021**

Reason: While I agree with the intent, there are problems with the language. This section is about toilet and bathing rooms – this says shower rooms. All locker rooms with showers have space for changing. The last sentence could be read to exempt the permanent seat in the shower by saying the bench is in the shower compartment – is that in front, or in the shower itself? Shower compartment is what ICC A117.1 uses for the shower itself in Section 608. By referencing Section 803 you will get a turning space to facilitate dressing and transfer to the shower, the bench and hooks and shelves.

This figure is in the 2017 ICC A117.1 commentary.



**Figure C608.2.1.2(b)  
TRANSFER SHOWER WITH DRESSING ROOMS**

**BALLOT COMMENT 2- FIRST DRAFT:**

Proponent: *Daniel Buck, NAHB*

Desired Action: Affirmative with comment

Modification:

**Further revise as follows:**

**603.7 Benches.** Where shower rooms include space for changing clothes accessible shower rooms shall include a bench complying with Section 903. Where benches are located within shower compartments, the accessible bench shall be provided within the accessible shower compartment.

Reason: The phrase "space for changing clothes" is vague. When is this space provided and when isn't it? This may be accomplished with only the second sentence of the proposal and delete the first sentence altogether.

**BALLOT COMMENT 3- FIRST DRAFT:**

Proponent: *Kyle Thompson, PMI*

Desired Action: Negative with comment

Modification:

Reason: The original proposal was outside of the scope of A117.1. Rough in requirements belong in the building and plumbing codes. The proposed modification would address the concern noted in the original proposal "that water closets are set far away from the back wall" without specifying the rough in location of the drain line connection. We agree with the committee that if the real issue is the space in front of the WC, then the dimension of that space should be defined versus specifying rough in dimensions or limiting the WC design/dimensions.

**Committee decision:** AS/AM/D

**Committee Vote at Meeting:**

**Committee Vote on Ballot:**

**REPORT OF HEARING – FIRST DRAFT**

Modification (if any):

Committee Reason:

**BALLOT COMMENT- SECOND DRAFT:**

Proponent:

Desired Action:

Modification:

Reason:

**Committee decision:** AS/AM/D

**Committee Vote at Meeting:**

**Committee Vote on Ballot:**

**FINAL ACTION:**

Modification (if any):

Committee Reason:

## 06-12 – 2021 overview

Proposal number	Proponent	Standard Sections	Committee Actions	Mtg. Date	Notes; Groups; groupings
06-12	Mazz	604.2, 604.11.2	D 31-0-1	8-11-2022	

Comment	Proponent	Requested Action	Committee Action	Mtg. Date	Notes; Groups; groupings
BC1	Thompson, PMI	Negative			

BC= Ballot Comment, PC= Public comment, **Bold Comment number** is proposed revision below

## 06-12 – 2021 604.2, 604.11.2

**Proponent:** Marsha Mazz, United Spinal Association

**Revise as follows:**

### SECTION 604 WATER CLOSETS AND TOILET COMPARTMENTS

**604.2 Location.** The water closet shall be located with a wall or partition to the rear and to one side. The centerline of the water closet shall be 16 inches (405 mm) minimum and 18 inches (455 mm) maximum from the side wall or partition. In addition, where a floor mounted water closet is provided, the centerline of the drain connection shall be 10 inches minimum and 14 inches maximum measured from the rear wall. Water closets located in the ambulatory accessible toilet compartments specified in Section 604.10 shall have the parallel centerline of the water closet 17 inches minimum and 19 inches maximum from the side wall or partition.

#### **604.11 Water closets and toilet compartments for children's use.**

**604.11.2 Location.** The water closet shall be located with a wall or partition to the rear and to one side. The centerline of the water closet shall be 12 inches (305 mm) minimum and 18 inches (455 mm) maximum from the side wall or partition. In addition, where a floor mounted water closet is provided, the centerline of the drain connection shall be 10 inches minimum and 14 inches maximum measured from the rear wall. Water closets located in ambulatory accessible toilet compartments specified in Section 604.10 shall be located as specified in Section 604.2.

---

**REASON:** Our Accessibility Services staff occasionally encounter a floor mounted water closet that is set far away from the back wall. Because clearances surrounding water closets are measured from the walls (Sections 604.3.1 and 604.3.2) this results in less space around the water closet available for transfer and to access to the flush control. A standard rough-in is centered 12 inches from the back wall and would result in the gap between the tank and the wall being approximately  $\frac{3}{4}$  inch. Ten and 14 inch rough-ins are sometimes provided. With a rough-in 12 inches from the back wall, an elongated bowl will extend about 30 inches from the wall (see our alternate proposal below). We believe there is sufficient flexibility in the proposed range to accommodate nearly all floor mounted installations.

We consulted with a member of the Committee representing the plumbing industry to develop this proposal. He assured us that plumbers will have no difficulty identifying the centerline of the rough-in even once the fixture is installed because it is visible in the vitreous china. However, if the committee is not comfortable with dimensioning to the centerline of the drain connection, we would accept a friendly amendment to modify the proposal as follows:

**604.2 Location.** The water closet shall be located with a wall or partition to the rear and to one side. The centerline of the water closet shall be 16 inches (405 mm) minimum and 18 inches (455 mm) maximum from the side wall or partition. In addition, where a floor mounted water closet is provided, the front lip of the bowl shall extend a maximum of 31 inches from the rear wall. Water closets located in the ambulatory accessible toilet compartments specified in Section 604.10 shall have the parallel centerline of the water closet 17 inches minimum and 19 inches maximum from the side wall or partition.

---

## 06-12 – 2021 Modification

### 604.2, 604.11.2

**Proponent:** Kyle Thompson, Plumbing Manufacturers International (PMI)

Revise further as follows:

#### SECTION 604 WATER CLOSETS AND TOILET COMPARTMENTS

**604.2 Location.** The water closet shall be located with a wall or partition to the rear and to one side. The centerline of the water closet shall be 16 inches (405 mm) minimum and 18 inches (455 mm) maximum from the side wall or partition. In addition, where a floor mounted water closet is provided, ~~the centerline of the drain connection shall be 10 inches minimum and 14 inches~~ the back space between the water closet and rear wall shall be 2 inches (51 mm) maximum measured from the rear wall. Water closets located in the ambulatory accessible toilet compartments specified in Section 604.10 shall have the parallel centerline of the water closet 17 inches minimum and 19 inches maximum from the side wall or partition.

#### **604.11 Water closets and toilet compartments for children's use.**

**604.11.2 Location.** The water closet shall be located with a wall or partition to the rear and to one side. The centerline of the water closet shall be 12 inches (305 mm) minimum and 18 inches (455 mm) maximum from the side wall or partition. In addition, where a floor mounted water closet is provided, ~~the centerline of the drain connection shall be 10 inches minimum and 14 inches~~ the back space between the water closet and rear wall shall be 2 inches (51 mm) maximum measured from the rear wall. Water closets located in ambulatory accessible toilet compartments specified in Section 604.10 shall be located as specified in Section 604.2.

**Reason:** Though PMI in support of the intent of the original proposal and the need to maintain clearance space for accessibility in front of water closets. There are some concerns with the application of the original proposal as well as the friendly amendment suggested in the reason statement. These concerns are that rough in specifications, such as the location of the water closet drainline connection, should be included in plumbing or building codes, not within the A117.1 accessibility standard. Also, the friendly amendment suggested in the reason statement, to specify “maximum of 31 inches from the rear wall” could limit product design and may result in limiting the building owners choice of products that could be installed, regardless of the actual clearance space available in a water closet compartment.



**Committee Action:** 31-0-1 Disapproved

**REPORT OF HEARING:**

**Modification (if any):**

**Committee Reason:** The proponent moved the modification instead of the original proposal. Water closet designs vary, so there could be a floor drain or a back drain. The choice of the finish material behind the wall could be an issue. The 2” may be too limiting. This proposed modification would result in a measurement not being able to be made until the water closet was installed – too late to make major changes to the plumbing connection. The real issue is the space in front of the water closet – so approaching this way is not a good solution.

604.2-MAZZ.doc

**06-12 – 2021 Ballot Comments**

**BALLOT COMMENT - FIRST DRAFT:**

Proponent: *Kyle Thompson, PMI*

Desired Action: Negative with comment

Modification:

Reason: The original proposal was outside of the scope of A117.1. Rough in requirements belong in the building and plumbing codes. The proposed modification would address the concern noted in the original proposal “that water closets are set far away from the back wall” without specifying the rough in location of the drain line connection. We agree with the committee that if the real issue is the space in front of the WC, then the dimension of that space should be defined versus specifying rough in dimensions or limiting the WC design/dimensions.

**Committee Action for First Ballot:**

**REPORT OF HEARING:**

**Modification (if any):**

**Committee Reason:**

**Report for 06-12– 2021**

**Committee decision:** D

**Committee Vote at Meeting:** 31-0-1

**Committee Vote on Ballot:**39-1-1

**REPORT OF HEARING:**

Modification (if any):

Committee Reason: Dressing rooms adjacent to shower compartments need to be addressed. There was a concern about the terms in the first sentence not being commonly understood. In the 2<sup>nd</sup> sentence the bench is outside the shower compartment, not within. The proponent needs to bring forward some revisions.

**BALLOT COMMENT - FIRST DRAFT:**

Proponent: *Kyle Thompson, PMI*

Desired Action: Negative with comment

Modification:

Reason: The original proposal was outside of the scope of A117.1. Rough in requirements belong in the building and plumbing codes. The proposed modification would address the concern noted in the original proposal “that water closets are set far away from the back wall” without specifying the rough in location of the drain line connection. We agree with the committee that if the real issue is the space in front of the WC, then the dimension of that space should be defined versus specifying rough in dimensions or limiting the WC design/dimensions.

**Committee decision:** AS/AM/D

**Committee Vote at Meeting:**

**Committee Vote on Ballot:**

**Report for 06-12– 2021**

**REPORT OF HEARING – FIRST DRAFT**

Modification (if any):

Committee Reason:

**BALLOT COMMENT- SECOND DRAFT:**

Proponent:

Desired Action:

Modification:

Reason:

**Committee decision: AS/AM/D**

**Committee Vote at Meeting:**

**Committee Vote on Ballot:**

**FINAL ACTION:**

Modification (if any):

Committee Reason:

## 06-13 – 2021 overview

Proposal number	Proponent	Standard Sections	Committee Actions	Mtg. Date	Notes; Groups; groupings
06-13	Pauls	604.2, 604.3.1, 604.5, 604.9.6, 604.10.1, 604.11.5, 604.12(New), 607.1, 607.2, 607.9(New), 607.9.1(New), 607.9.2(New), 608.1, 608.9(New), 608.9.1(New), 608.9.2(New), 608.9.3(New), 609, 609.1, 609.2.1, 609.2.2, 609.3, 609.4, 609.4.1, 609.4.2, 609.5, 609.6, 609.7, 609.8, 609.9(New)	Divided question between 604, 607, 608 or 609: 604 - D 24-6-2 607 – Tabled till end of Chapter 6 Replacement for 12-15-2022; Divide question Part 1 Definition D 23-3-3 Part 2 603, 604 D 25-4-2 Part 3 609-609.8 D 24-6-2 Part 4 609.9 AM 26-1-4 Part 5 612 & 612.1 Scope AM 14-15-2 Part 6 612.1 General-612.5 D 25-1-2	8-11-2022; 12-15-2022; 1-5-2023; 1-19-2023	

Comment	Proponent	Requested Action	Committee Action	Mtg. Date	Notes; Groups; groupings
<b>PC1</b>	Pauls	All Parts AM			
BC1	Toji, HLAA	Part 1 Negative			
BC2	Pauls	Part 1 Negative			
BC3	Toji, HLAA	Part 2 Negative			
BC4	Pauls	Part 2 Negative			
BC5	Toji, HLAA	Part 3 Negative			
BC6	Pauls	Part 3 Negative			
BC7	Pauls	Part 4 Negative			
BC8	Dain, AIA	Part 4 Affirmative			
BC9	Anderson, AHLA	Part 4 Negative			
<b>BC10</b>	Paarlberg, ICC	Part 4 Negative			See BC10
BC11	Gaskins, NACS	Part 4 Negative			
BC12	Buuck, NAHB	Part 4 Affirmative			See PC2
<b>PC2</b>	Buuck, NAHB	Part 4 - AM			
BC13	Pauls	Part 5 Affirmative			
BC14	Dain, AIA	Part 5 Negative			
BC15	Pace, HUD	Part 5 Negative			
<b>BC16</b>	Paarlberg, ICC	Part 5 Negative			See BC16
BC17	Buuck, NAHB	Part 5 Affirmative			
BC18	Thompson, PMI	Part 5 Negative			
BC19	Anderson, AHLA	Part 5 Negative			
BC20	Gasking, NACS	Part 5 Negative			
BC21	Toji, HLAA	Part 6 Negative			
BC22	Pauls	Part 6 Negative			

BC= Ballot Comment, PC= Public comment, **Bold Comment number** is proposed revision below

## 06-13 – 2021

604.2, 604.3.1, 604.5, 604.9.6, 604.10.1, 604.11.5, 604.12(New), 607.1, 607.2, 607.9(New), 607.9.1(New), 607.9.2(New), 608.1, 608.9(New), 608.9.1(New), 608.9.2(New), 608.9.3(New), 609, 609.1, 609.2.1, 609.2.2, 609.3, 609.4, 609.4.1, 609.4.2, 609.5, 609.6, 609.7, 609.8, 609.9(New)

**Proponent:** Jake Pauls, Jake Pauls Consulting Service, representing self

**Revise as follows:**

### CHAPTER 6 PLUMBING ELEMENTS AND FACILITIES

#### SECTION 601 GENERAL

**601.1 Scope.** Plumbing elements and facilities required to be accessible by scoping provisions adopted by the administrative authority shall comply with the applicable provisions of Chapter 6.

#### SECTION 604 WATER CLOSETS AND TOILET COMPARTMENTS

**604.1 General.** Water closets and toilet compartments shall comply with Section 604. Compartments containing more than one plumbing fixture shall comply with Section 603. Wheelchair accessible compartments shall comply with Section 604.10.

**Exception:** Water closets and toilet compartments primarily for children's use shall be permitted to comply with Section 604.11 as applicable.

**604.2 Location.** The water closet shall be located with a wall or partition to the rear and to one side. The centerline of the water closet shall be 16 inches (405 mm) minimum and 18 inches (455 mm) maximum from the side wall or partition. Water closets located in ambulatory accessible toilet compartments specified in Section 604.10 shall have the centerline of the water closet 17 inches (430 mm) minimum and 19 inches (485 mm) maximum from the side wall or partition.

**Exception:** Ambulatory accessible water closets complying with Section 604.12.

#### 604.3 Clearance.

**604.3.1 Clearance width.** Clearance around a water closet shall be 60 inches (1525 mm) minimum in width, measured perpendicular from the sidewall.

**Exception:** Ambulatory accessible water closets complying with Section 604.12.

**604.5 Grab bars and stanchions.** Grab bars and stanchions for water closets shall comply with Section 609 and shall be provided in accordance with Sections 604.5.1 and 604.5.2. Grab bars shall be provided on the rear wall and on the side wall closest to the water closet.

#### Exceptions:

1. Grab bars and stanchions shall not be required to be installed in a toilet room for a single occupant, accessed only through a private office and not for common use or public use, provided reinforcement

has been installed in walls and located so as to permit the installation of grab bars complying with Section 604.5.

2. In detention or correction facilities, grab bars and stanchions shall not be required to be installed in housing or holding cells or rooms that are specially designed without protrusions for purposes of suicide prevention.
3. Ambulatory accessible water closets served by vertical stanchions complying with Section 604.12.

#### **604.9 Wheelchair accessible toilet compartments.**

**604.9.6 Grab bars and stanchions.** Grab bars and stanchions shall comply with Section 609. For ambulatory accessible toilet compartments, side wall grab bars complying with Section 604.5.1 located on the wall closest to the water closet, and a rear wall grab bar complying with Section 604.5.2, shall be provided.

#### **604.10 Ambulatory accessible toilet compartments.**

**604.10.1** Ambulatory accessible compartments shall comply with Section 604.10. Ambulatory accessible water closets shall comply with 604.12.

**Exception:** Water closets and toilet compartments primarily for children's use shall be permitted to comply with Section 604.11 as applicable.

#### **604.11 Water closets and toilet compartments for children's use.**

**604.11.5 Grab bars and stanchions.** Grab bars and stanchions for water closets shall comply with Section 604.5.

**604.12 Grab bars or stanchions for ambulatory accessible water closets.** A minimum of one grab bar or vertical stanchion, complying with Section 609 shall be provided in front of and to the side of the water closet such that the grab bar or stanchion center line is within 28 in (710 mm), measured horizontally, reachable distance from the center of the front of the water closet. The grab bar or vertical stanchion shall be graspable at a height, above the finished floor level, of 36 inches (915 mm) minimum and 60 inches (1525 mm) maximum. Such grab bar or stanchion shall be permitted to serve also for a required vertical grab bar or vertical stanchion, for an adjoining bathtub or shower, complying with Sections 607 or 608, provided that it is graspable at a height, above the finished floor level, of 36 inches (915 mm) minimum and 60 inches (1525 mm) maximum.

### **SECTION 607 BATHTUBS**

**607.1 General.** Bathtubs shall comply with Section 607.

**Exception:** Ambulatory accessible bathtubs shall comply with Sections 607.2, 607.8 and 607.9.

**607.2 Clearance.** A clearance in front of bathtubs extending the length of the bathtub and 30 inches (760 mm) minimum in depth shall be provided. Where a permanent seat is provided at the head end of the bathtub, the clearance shall extend 12 inches (305 mm) minimum beyond the wall at the head end of the bathtub.

**Exception:** The clearance in front of an ambulatory accessible bathtub, complying with Section 607.8, shall extend half the length, minimum, of the bathtub.

**607.9 Ambulatory Accessible Bathtubs Grab Bars or Stanchions.** One grab bar or stanchion, minimum, shall be provided on the access side or an end wall (head end or control end) adjacent to the access side in

accordance with one of the options in Section 607.9.1. This grab bar or stanchion shall be usable from the clear floor space required by Section 607.2. A second grab bar or stanchion, minimum, shall be provided on the non-access side (back wall) of the bathtub in accordance one of the options in Section 607.9.2.

**607.9.1 Access side, or adjacent end, grab bar or stanchion options.** The end wall vertical grab bar shall extend from 24 inches (610 mm) maximum to 60 inches (1524 mm) minimum above the finished floor. To avoid interference between a shower curtain rod or track for an access side set of sliding doors, the vertical grab bar on one end wall shall be provided between 9 inches (230 mm) and 12 inches (305 mm) horizontally, from the centerline of the grab bar to the exterior side of the bathtub. A second set of options for the access side vertical grab bar or stanchion shall have its centerline 2 inches (50 mm) maximum, measured horizontally, inside the exterior wall to 6 inches (150 mm) outside the exterior bathtub wall. The stanchion option, shall extend from the bathroom ceiling to either the floor or, with a steel bathtub, to the bathtub rim.

**607.9.2. Non-access side grab bar or stanchion options.** A horizontal or diagonal grab bar or a horizontal stanchion shall be provided on the back wall, or non-access side of each bathtub. Grab bars shall be 36 inches (915 mm) long, minimum. The centerline of the horizontal grab bar or stanchion, as well as the lower end of a diagonal grab bar, shall be 8 inches (200 mm) minimum and 10 inches maximum above the bathtub rim. The upper end of the diagonal grab bar shall extend to 12 inches (305 mm), maximum, horizontal, to the control end wall. Diagonal grab bar slope shall be 30 degrees minimum to 60 degrees maximum to horizontal. The horizontal stanchion shall extend to each of the end walls. The horizontal grab bar shall be centered between the end walls.

**Exception:** For relatively deep bathtubs, where the required centerline height for the horizontal grab bar exceeds 30 inches (762 mm) above the adjacent finished floor elevation, this height shall be permitted to be 3 inches (76 mm), maximum, from its centerline to either the bathtub rim height or the top of the deck for the bathtub installation which can also be the base into which the grab bar is fixed.

## **SECTION 608 SHOWER COMPARTMENTS**

**608.1 General.** Shower compartments shall comply with Section 608.

**Exception:** Ambulatory accessible showers shall comply with Sections 608.8 and 608.9.

**608.9 Grab bar or stanchion at the access to showers.** A grab bar or stanchion shall be provided for the shower in accordance with Section 608.9.1, 608.9.2 or 608.9.3. Location dimensions in Section 608.9 are to the centerline of the grab bar or stanchion at the fixed end of its graspable tubing component.

**608.9.1 At shower exterior.** A vertical grab bar or stanchion shall be provided outside of the shower compartment, adjacent to the access opening within 28 inches (710 mm) of the center of the shower entrance opening width. The grab bar or stanchion shall extend from 24 inches (610 mm) maximum to 60 inches (1524 mm) minimum, measured vertically above the finished floor.

**608.9.2 For smaller shower interior.** For showers with interior plan dimensions, including diagonally between corners, 51 inches (1295 mm) maximum, a vertical grab bar shall be provided, interior to the shower compartment, 30 inches (762 mm) maximum, measured horizontally from the control wall on the side closest to the access opening. The grab bar shall extend from 24 inches (610 mm) maximum to 60 inches (1524 mm) minimum, measured vertically above the finished floor outside the shower.

**608.9.3 For larger shower interior.** For showers with any interior plan dimensions exceeding 51 inches (1295 mm), including diagonally between corners, a grab bar or stanchion located interior to the shower compartment shall be 28 inches (710 mm) maximum, measured horizontally to the access to the shower. If

oriented vertically, the grab bar or stanchion shall extend from 24 inches (610 mm) maximum to 60 inches (1524 mm) minimum, measured vertically above the finished floor outside the shower. If oriented horizontally, the grab bar or stanchion shall have a length 36 inches (915mm) minimum at a height, measured vertically above the finished floor outside the shower, of 48 inches (1220 mm) minimum and 60 inches (1524 mm) maximum.

## **SECTION 609** **GRAB BARS AND STANCHIONS**

**609.1 General.** Grab bars and stanchions in toilet or bathing facilities shall comply with Section 609.

**609.2 Cross section.** Grab bars and stanchions shall have a cross section complying with Section 609.2.1 or 609.2.2.

**609.2.1 Circular cross section.** Grab bars and stanchions with a circular cross section shall have an outside diameter of 1 1/4 inches (32 mm) minimum and 2 inches (51 mm) maximum.

**609.2.2 Noncircular cross section.** Grab bars and stanchions with a noncircular cross section shall have a cross section dimension of 2 inches (51 mm) maximum, and a perimeter dimension of 4 inches (100 mm) minimum and 4.8 inches (120 mm) maximum. Corner radius shall be 1/4 inch (6 mm) minimum.

**609.3 Spacing.** The space between the wall and the grab bar or stanchions shall be 1 1/2 inches (38 mm) minimum. The space between the grab bar or stanchion and projecting objects below and at the ends of the grab bar or stanchion shall be 1 1/2 inches (38 mm) minimum. The space between the grab bar or stanchion and projecting objects above the grab bar or stanchion shall be 12 inches (305 mm) minimum.

### **Exceptions:**

1. The space between the grab bars or stanchions and shower controls, shower fittings, and other grab bars or stanchions above the grab bar or stanchion shall be permitted to be 1 1/2 inches (38 mm) minimum.
2. Recessed dispensers projecting from the wall 1/4 inch (6.4 mm) maximum measured from the face of the dispenser and complying with Section 604.7 shall be permitted within the 12-inch (305 mm) space above and the 1 1/2-inch (38 mm) spaces below and at the ends of the grab bar or stanchion.

**609.4 Position of grab bars and stanchions.**

**609.4.1 General.** Grab and stanchions shall be installed in a horizontal position, 33 inches (840 mm) minimum and 36 inches (915 mm) maximum above the floor measured to the top of the gripping surface or shall be installed as required by Items I through 3.

1. The lower grab bar or stanchion on the back wall of a bathtub shall comply with Section 607.4.1.1, ~~or 607.4.2.1 or 607.9.2.~~
2. Vertical grab bars and stanchions shall comply with Sections 604.5.1.2, 604.9.6, 604.12, 607.4.1.2.2, 607.4.2.2, 607.9, and 608.3.1.2 and 608.9.
3. Grab bars at water closets primarily for children's use shall comply with Section 609.4.2.

**609.4.2 Position of children's grab bars and stanchions.** At water closets primarily for children's use complying with Section 604.11, grab bars and stanchions shall be installed in a horizontal position 18 inches (455 mm) minimum and 27 inches (685 mm) maximum above the floor measured to the top of the gripping surface. A vertical grab bar or stanchion shall be mounted with the bottom of the bar or stanchion located between 21 inches (535 mm) minimum and 30 inches (760 mm) maximum above the floor and with the centerline of the bar or stanchion located between 34 inches (865 mm).



**609.5 Surface hazards.** Grab bars plus stanchions and any wall or other surfaces adjacent to grab bars and stanchions shall be free of sharp or abrasive elements. Edges shall be rounded.

**609.6 Fittings.** Grab bars and stanchions shall not rotate within their fittings.

**609.7 Installation and configuration.** Grab bars and stanchions shall be installed in any manner that provides a gripping surface at the locations specified in this standard and does not obstruct the clear floor space. Horizontal and vertical grab bars and stanchions shall be permitted to be separate bars, a single piece bar, or combination thereof.

**609.8 Structural strength.** Allowable stresses shall not be exceeded for materials used where a vertical or horizontal force of 250 pounds (1112 N) is applied at any point on the grab bar, stanchion, fastener mounting device, or supporting structure.

**609.9 Durability in presence of water.** Grab bars and stanchions, including mountings, shall be installed and sealed, or provided with permanent drainage such as weep holes for components subject to water intrusion, to protect structural elements from moisture.

---

**REASON:**

**Preliminary Justification for Proposal on Ambulatory Accessible Toilets, Bathtubs and Showers —  
Submitted by Jake Pauls  
[bldguse@aol.com](mailto:bldguse@aol.com) & [www.bldguse.com](http://www.bldguse.com)**

**Preamble.** Two points to make right at the beginning.

**First**, the task of spearheading the A117 Committee consideration of usability of bathing, showering and toileting facilities, going under the label of “ambulatory accessible,” is far beyond the capability of the proponent. In his 79<sup>th</sup> year, the proponent has seen the entire range of toileting and bathing facilities in his lifetime. Indeed, the first four years of his life took place in homes that totally lacked built-in facilities for toileting, bathing and showering which now take up the second longest chapter in A117.1. Thus it is ironic that, later in life, he has seen the complete spectrum, right up to occupying (for a couple of nights) the Presidential Suite of one of the world’s largest hotel chain’s properties, in addition to enjoying Japanese toileting and bathing facilities (mixing the ultra modern with the most traditional plumbing in Japan).

**Second**, A117.1—now in its seventh decade of life (just a bit over a decade younger than the proponent)—is now being asked to address not just the visible part of the iceberg that figuratively makes up this preeminent accessibility/usability standard’s Chapter 6, but the huge part that has been mostly out of sight, below the surface with this “iceberg.” All parts of the “iceberg” are important and the proponent asks for patience on the part of his fellow A117 Committee members as they are now being asked to help determine what we should know about—and *act on*—the largely uninvestigated topic of ambulatory, bipedal, use of facilities to which we have now devoted six decades of attention to largely wheel-based access and use.

This scope change is combined with a technical expansion to include the older of the two “Points of Control” we have come to rely upon. That is recognition, in A117.1, of *stanchions* which predated grab bars—*by perhaps a century*—and which are (in the proponent’s professional opinion) often superior to grab bars in function and aesthetics.

**Foundations.** Connecting both wheeled and bipedal ambulation-based access to bathing, showering and toileting is the science and technology of ergonomics and, in a secondary way, public health. As a Certified Professional Ergonomist (like a few others on the A117 Committee) and now the longest serving representative on several ICC and NFPA committees formally representing the American Public Health Association, the proponent brings important perspectives to our (now virtual) deliberation table. These perspectives are not sufficient to achieve acceptance of this proposal. This will take a major effort.

**Possible Need for a Task Group or Work Group.** The proponent’s first recommendation is that a task/work group be formed of a small number of interested, informed members of the Committee (and a few experts from outside the Committee) to address the foregoing change proposal and this feeble justification statement, albeit accessible and vital to all with vision—both in functional and cerebral capabilities—to move the next edition of A117 to fill an important niche.

This niche, on bathing, showering and toileting, already is mostly addressed by another ANSI standard with a safety motivation (in NFPA 101); now we need to address such facilities with a usability focus in the most widely respected ANSI standard on usability—A117.1. (*The ball is now in our court and, like in a game, we need to play with some common rules, namely those set by ANSI to avoid contradictions among standards addressing similar issues.*) NFPA adopted requirements for safety of bathtubs and showers in its 2018 editions of NFPA 101 and 5000, updating the terminology to include “stanchions” in its 2021 editions. Both NFPA and ICC-ANSI A117.1 share a concern for ambulation of facility users, the latter recognizing the a large proportion of people with disabilities are, indeed, ambulatory and the former recognizing that a significant number of people requiring safety in buildings are not ambulatory.

**Option If A117 Committee Does Nothing.** Unless ICC wishes to reference NFPA 101 in A117.1 for requirements on grab bars and stanchions for usability as well as safety, A117.1 needs to develop its own requirements covering ambulatory accessible water closets, bathtubs and showers.

**Basic Tools (Including Visual Aids).** Fortunately, the tools we will employ in this task are largely identified. The build upon basic ergonomic concepts such as anthropometry, reach capabilities, balance (as affected by location of ones Center of Mass—COM), and points of control. At the beginning of the Justification you will be asked to view a few PowerPoint presentations that provide centrally important information forming the foundation for the proposed new language for A117.1 requirements in Chapter 6, Plumbing Elements and Facilities. These were developed only in recent days and there is not yet an audio description of the images publicly available. Sincere apologies to those not able to see the images. We will work on that, collectively, in coming months as a video, with descriptive audio track, is produced on this topic.

**Related Efforts.** Note that this topic, at least of bathing and showering, is being currently addressed by three organizations in relation to several documents, that will be published in the mid 2020s. They are:

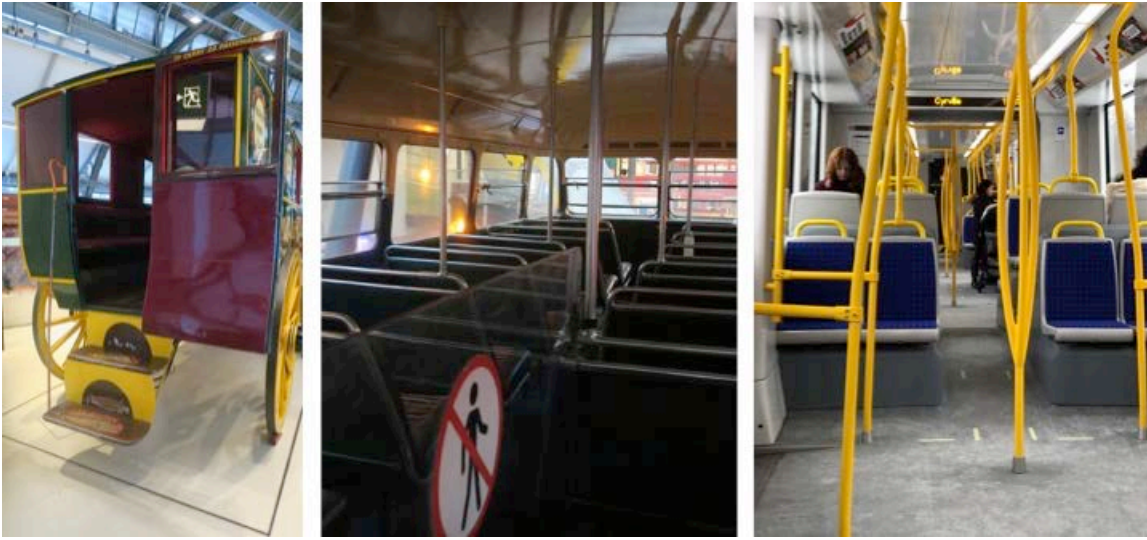
- International Code Council (for the *International Building Code* and the *International Residential Code*)
- National Fire Protection Assn. (for the *Life Safety Code* and the *NFPA Building Construction and Safety Code*)
- Canadian Commission on Building and Fire Codes (for the *National Building Code of Canada*)

**Borrowing from Other Deliberations.** The proponent of the A117.1 changes is also the lead proponent of changes to all these documents affecting the technical requirements and scoping for all occupancies (with a very few exceptions for some institutional settings). Thus this proposal for A117.1 is an amalgam of several other proposals (dating back to 2007 in the case of one co-proponent’s early proposal in Canada). This will explain any unevenness or inconsistencies (in concepts and terminology) in this proposal for A117.1. *Apologies for this.*

**Terminology.** We start with terminology in case the ANSI A117 Committee feels we should define what stanchions are (and perhaps what Points of Control are, including those involving use of stanchions). For the following, the proponent borrows freely from proposals and explanatory presentations prepared for other codes/standards developing bodies in the USA and Canada in recent months of 2021.

**Stanchion.** An often vertical, tubular structure serving as a hand-grasped, point of control that is fixed between separate supporting structures, surfaces or other railings as opposed to being mounted, in cantilever fashion, on walls as occurs with conventional grab bars.

The montage of photographs below represent about two centuries of development of stanchions in the field of transportation vehicle design and use by ordinary people without any formal background in ergonomics, codes/standards development, etc.



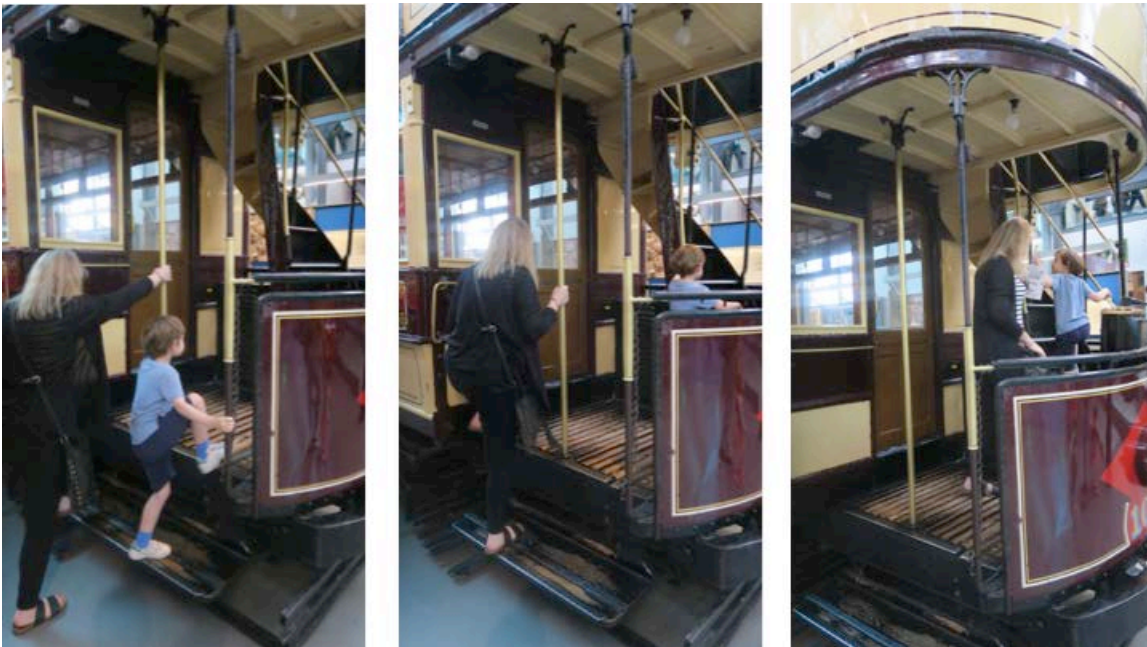
The term “*Point of Control*” has a shorter history with the meaning most relevant to bipedal ambulation being the human extremities used for bodily support on underfoot surfaces and various handholds to facilitate safe movement; stationary erect, sitting or other posture; and the states between these activities. We have, potentially, four major points of control: two feet and two hands. Occupational rules such as for safe ladder climbing or descent spell out three points of control are prudent to maintain reasonable safety. Building codes for home stairways are largely based on two points of control in stair descent and ascent, namely one weight-bearing foot and one hand grasping a functional (as opposed to mainly decorative) railing. Our bathtub and shower designs have largely been based on a single point of control—one weight-bearing foot on either a slip resistant surface (far from certain with bathing plus other surfaces and water)—or less than one point of control if the weight-bearing foot slips.

The whole point of the major changes submitted for the A117.1 standard is to add at least one point of control to the single weight-bearing foot in entry to and exiting from a bathtub or shower enclosure. This is truly a very modest change but one that can double the points of control available to bathers. The table below sets out all the options for points of control showing how modest the change is—in merely doubling the single point of control (or less with slippery underfoot conditions) with the proposed additions to the A117.1 standard.

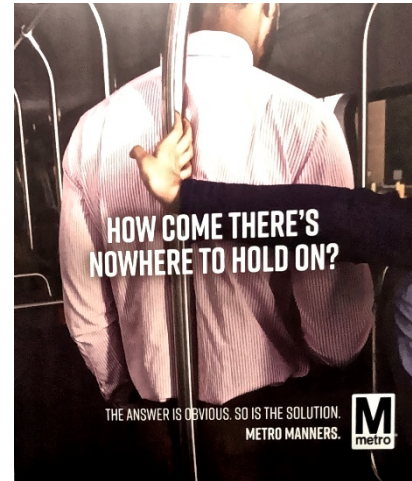
Number of Points of Control Via Hands or Feet	≤1	1	2	3	3-4
Standard walker for older adult with altered gait.					✓
Occupational settings with risk of worker falls from heights. Also, stairs where users can use two handrails simultaneously, one on each side.				✓	
<u>Stairs where users have only a single handrail.</u>			✓		
<u>Grab bar(s) usable for bathtub/shower entry/egress.</u>			★		
Bathtubs/showers with slip resistant underfoot surfaces when wet.		✓			
Bathtubs/showers without slip resistant underfoot surfaces when wet, the common condition currently.	✓				

For toilet use-related (stand-to-sit and sit-to-stand) transfers, both ergonomics and scientifically-established personal preferences are for points of control for each of our two arms/hands to be available. (See the paper, Kennedy, Arcelus, Guitard Goubran, and Sveistrup [2015]. Toilet Grab-Bar Preference and Center of Pressure Deviation During Toilet Transfers in Healthy Seniors, Seniors With Hip Replacements, and Seniors Having Suffered a Stroke. *Assistive Technology: The Official Journal of RESNA*, 27:2, 78-87. The leading preference, from this study, was for two handholds on vertical points of control—e.g., stanchions or grab bars—one on each side, and at the front of the toilet; second preference was for only one such point of control (out of five options including also horizontal, swing-away and diagonal options.)

Based on both the above table and the referenced study, the changes sought in this proposal for A117.1 are modest and well warranted by science and logic that can be understood intuitively by most primates, including humans on committees such as for A117.1 on the basic issues involved with toileting, bathing and showering. The photographic series, below with a century-old trolley, provides a brief story of how effective stanchions are, even for young children encountering steps comparable in height to what is needed to surmount the wall of a typical bathtub; the height depicted here is about 16 inches (400 mm), comparable to what is found in minimum standard (e.g., IRC) permitted stairways for dwelling units—except there is no intermediate step to use as many older people need to do when using stairs (with both feet using every step). Note also the relatively puny grab bar to the woman’s left; it lacks the usefulness of the stanchion.



For a more contemporary transportation facility, albeit pre-Pandemic in crowding, see the very extensive use of stanchions, here captured on the Washington, DC, region Metro subway system. Stanchions are familiar to most people around the world for the postural control and personal space advantages they offer. They even appear in posters on such transit systems, giving social messages about these key features for our comfort and safety. The same message holds for adding stanchions to A117.1: “How come there is nowhere to hold on?”



An important lesson, from the photo sequence above, is that stanchions provide more options for placement and more options for users to choose the points of control they perceive as important to their task and safety. In other words ordinary people, even of young age, are displaying skill in ergonomics (the science and technology of how people utilize things, systems, etc. available to them to perform tasks effectively and safely).

For purposes of this A117.1 proposal, along with grab bars, it should be clear that stanchions are reliable, indeed superior, time-tested means of providing for “points of control” and they provide options for location and length that greatly exceed what conventional grab bars can provide—as they do not rely on walls from which they cantilever. (They can be *between* walls, *between floor and ceiling*, etc.) The illustration below combines all of the stanchion and conventional grab bar options set out in the accompanying detailed re-write of A117.1 Chapter 6, “Plumbing Elements and Facilities,” specifically for **Section 607.9 Ambulatory Accessible Bathtubs Grab Bars or Stanchions**.

All of the eight options are illustrated in the graphic below. The options are in two groups, three options for the one stanchion or grab bar on the non access side or back wall and five options for the one required grab bar or stanchion on the access side (front). At the front, the vertical stanchion has options for placement anywhere along the length of the bathtub (depending on fixture layout in the bathroom and where the clear, half bathtub length area (required by Section 607.2) is located—here in front of the water closet (WC). Here it is shown mid-tub length (where it is mounted on the *steel* tub rim, but could also be floor mounted for other tubs) so it also serves the WC per proposed new Section 604.12 Grab bars or stanchions for ambulatory accessible WC.



### **607.9 Ambulatory Accessible Bathtubs Grab Bars or Stanchions.**

One grab bar or stanchion, minimum, shall be provided on the access side or an end wall (head end or control end) adjacent to the access side in accordance with one of the options in Section 607.9.1. This grab bar or stanchion shall be usable from the clear floor space required by Section 607.2. A second grab bar or stanchion, minimum, shall be provided on the non-access side (also referred to, where present, as the back wall) of the bathtub in accordance one of the options in Section 607.9.2.

Note the four options for the access side, end wall-mounted grab bar do not permit placing this grab bar where it would interfere with the installed shower curtain rod (or track) or installation of an enclosure system of sliding glass panels for example. Several inches of horizontal dimension are reserved on the end walls for such water control barriers, e.g., a shower curtain, to seal to the end walls. (The most common defect with grab placement the author saw repeatedly in his many stays in hotels around the world was having both the shower curtain and the vertical grab bar competing for the same

region of the end wall. The result: during a shower, water ended up leaking to the bathroom floor, in some cases getting into end walls with moldy results.)

Here follow the proposed texts for the bathtub grab bars or stanchions with a graphic below them illustrating the full range of options, including diagonal grab bar slopes.

### **607.9.1 Access side, or adjacent end, grab bar or stanchion options.**

The end wall vertical grab bar shall extend from 24 inches (610 mm) maximum to 60 inches (1524 mm) minimum above the finished floor. To avoid interference between a shower curtain rod or track for an access side set of sliding doors, the vertical grab bar on one end wall shall be provided between 9 inches (230 mm) and 12 inches (305 mm) horizontally, from the centerline of the grab bar to the exterior side of the bathtub. A second set of options for the access side vertical grab bar or stanchion shall have its centerline 2 inches (50 mm) maximum, measured horizontally, inside the exterior wall to 6 inches (150 mm) outside the exterior bathtub wall. The stanchion option, shall extend from the bathroom ceiling to either the floor or, with a steel bathtub, to the bathtub rim.

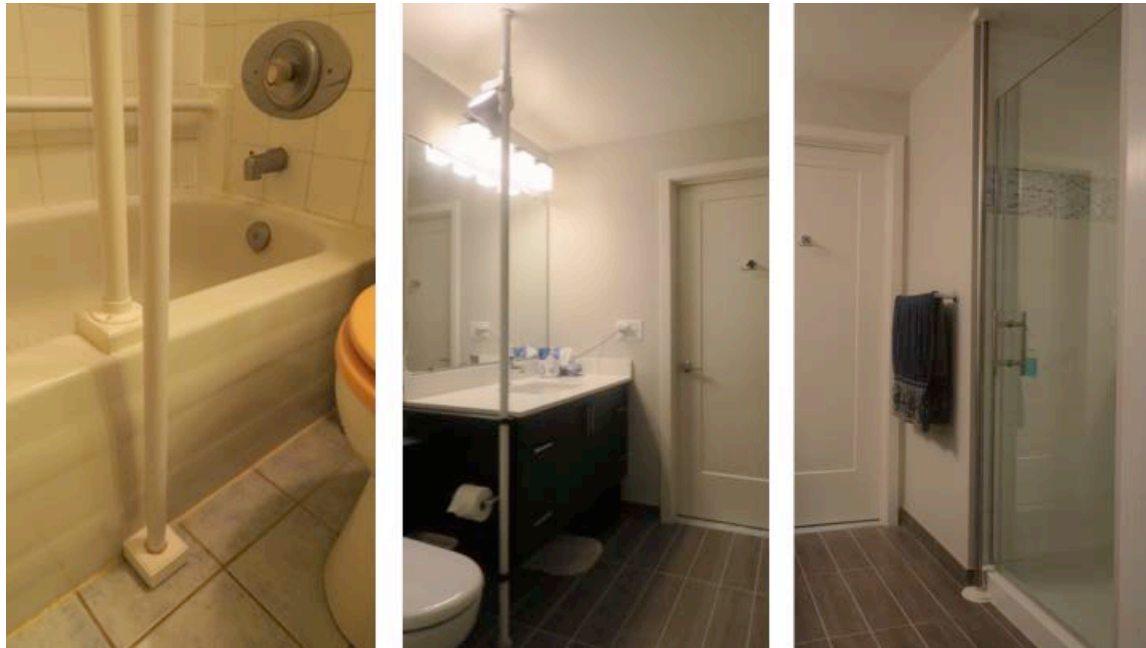
### **607.9.2. Non-access side grab bar or stanchion options.**

A horizontal or diagonal grab bar or a horizontal stanchion shall be provided on the back wall, or non-access side of each bathtub. Grab bars shall be 36 inches (915 mm) long, minimum. The centerline of the horizontal grab bar or stanchion, as well as the lower end of a diagonal grab bar, shall be 8 inches (200 mm) minimum and 10 inches maximum above the bathtub rim. The upper end of the diagonal grab bar shall extend to 12 inches (305 mm), maximum, horizontal, to the control end wall. Diagonal grab bar slope shall be 30 degrees minimum to 60 degrees maximum to horizontal. The horizontal stanchion shall extend to each of the end walls. The horizontal grab bar shall be centered between the end walls.



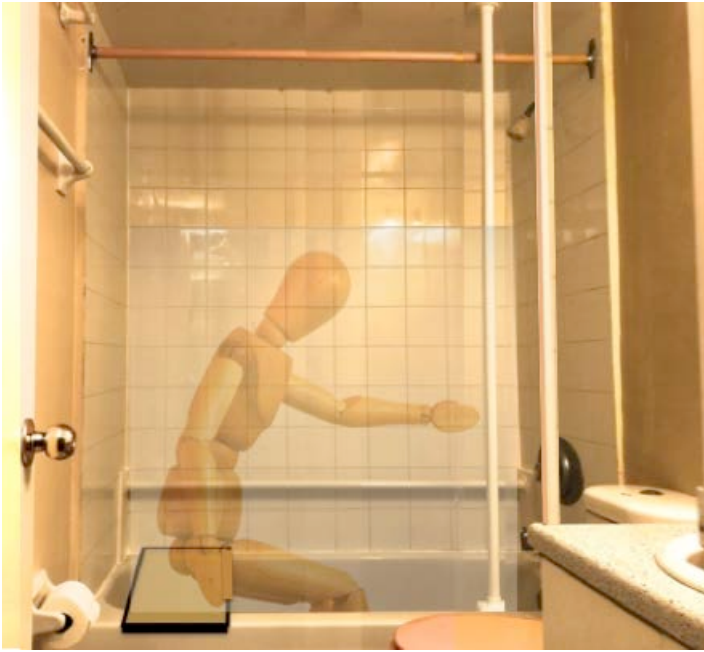
A significant aspect of the proposal for A117.1 is the introduction of stanchions, the history and ubiquity—outside of bathrooms—has already been addressed above. In the photos below, they are seen in three of the contexts at the heart of A117.1 Chapter 6, as it will be amended with the acceptance of this proposal which deals, typically with new construction. All of the examples below represent retrofit installations. Moreover, they are all retrofits in rental contexts where damage to walls is frowned upon by owners. Thus all of the examples shown of stanchions in this proposal narrative, include stanchions that can be removed (followed with the usual repainting between tenancies) without any screw holes in floors, ceilings and, most important (usually) walls. Modern RTV (Room Temperature Vulcanizing) adhesives hold these stanchions in place with holding capability meeting the 250-pound strength requirement. This adds new usefulness to A117.1 and, more importantly, to many people who develop disabilities of all types as they age and who want to “age in place” where they feel most at home. Stanchions also avoid any grab bar stigma issues as, evident especially in the two photos at the center and right sides below, the stanchions appear totally integrated with the décor, even

serving as a much needed lighting pole to enhance bathroom lighting while saving energy. These stanchions all comply with the proposed requirements, completely for the contexts illustrated, from left to right: bathtub access side vertical stanchion (with a no-cost bonus of also serving as the newly required vertical stanchion for the WC). At the center is another stanchion, this one color coordinated with its surrounds and the structural supports—to the vanity—color coordinated with it (while giving extra structural support to the stanchion). At the right, the satin stainless steel stanchion matches the décor of the shower enclosure and is discretely tucked into a recess while being accessible for both entering and exiting, stepping over the 4-inch sill below the shower door. Both of the stanchions at the center and right occupy the same bathroom and both contend with the 8-foot ceiling there.



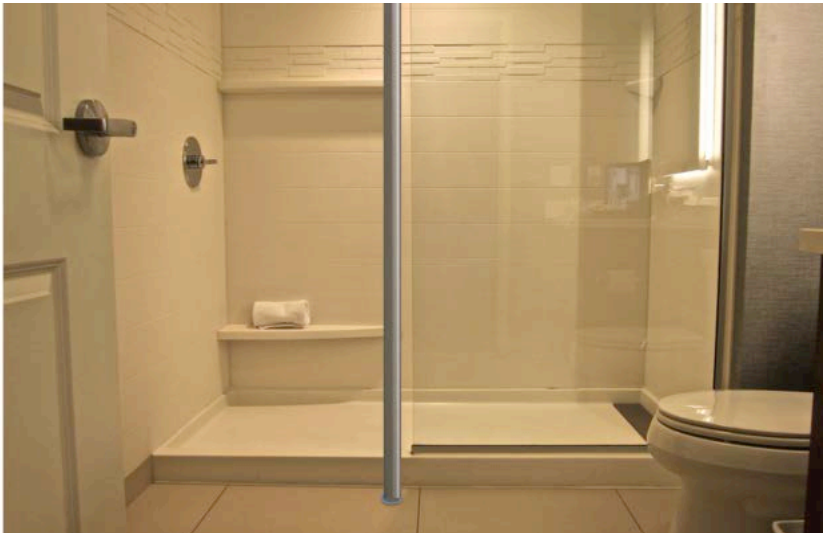
The photo at the left side demonstrates two options for a center tub-length stanchion, one affixed with RTV adhesive to a 60-year old enamel steel bathtub that has no problem with a test 330-pound, lateral load held for three hours. For newer, less rigid bathtub materials such as acrylic or fiberglass, manufacturers have raised a huge fuss over rim mounting of stanchions. They are easily appeased with the option of mounting on the adjacent floor—which is far more sturdy than the newer tubs are and has no issues with the RTV adhesive. Again, with many solid, well-performing steel bathtubs currently installed, there is much scope for both the rim- and floor-mounting options for securing stanchions in both new and existing bathrooms.

There was also some opposition—*quickly addressed*—from those concerned with the stanchion being in the way of some people with disabilities not being able to swing their fully extended legs over the tub rim when seated on a bathtub seat. Note that in the photo above, left side, there is barely room for such legs at the closely positioned WC which effectively blocks almost half the length of the tub. Notably the proposed language for A117 allows the vertical, access-side stanchion to be placed anywhere on or immediately adjacent to the entire length of the bathtub. Thus the stanchion can be placed where it suits a bather who desires to use a bathtub seat, etc.

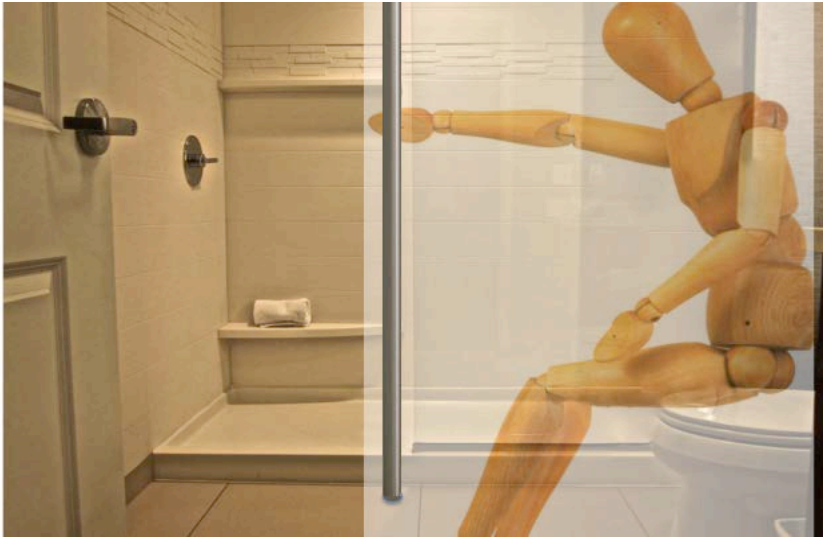


This augmented photo illustrates the possible dilemma over such vertical stanchion placement. Is it too close to the seat; is it too far from the seat (like the water controls are), or is it just right? The proposal is open to all options on this matter (keeping in mind the value of the stanchion also serving the water closet as set out in proposed new Section 604.12 in which the performance requirement of a 28-inch reach distance is utilized.) The 28 inches is based on a reachability analysis as well as being explained and illustrated in Appendix A to this proposal). Note also a second vertical stanchion digitally added at the vanity side serving the water closet.

**Section 608 Shower Compartments.** Focusing now on Section 608, there has been increasing evidence, especially in hotels, that bathtubs were being replaced with dedicated showers occupying the same generous space formerly taken up with a combination bathtub with shower. The showers were neither transfer type nor roll in showers, thus some new design considerations were in order for ambulatory accessible showers. The photograph which follows demonstrates what appears to be one of these conversions. This realization that showers, even in hotels, were becoming more spacious, led to the division of proposed Sections 608.9 with three options for the single required grab bar or stanchion for ambulatory users. This section needs some input from fellow A117 Committee colleagues. My effort on this is clearly preliminary but, like much else with ambulatory accessible bathroom facilities, a solution to the usability problem (along with safety issues that are the work of NFPA and other committees) is a start and is better than what exists currently.







As with the bathtub section and the water closet section, there is scope for dual utilization of stanchions especially for adjoining facilities. Thus a lot of work was done with reachability studies which is partly reflected in the accompanying Appendix A, a PowerPoint presentation prepared for the Canadians who are reaching the end of a long road, dating back to their first proposal for improved bathroom utilization of grab bars (submitted by a colleague, Dr. Nancy Edwards, an expert on falls) later augmented by my Canadian proposal in 2015 paralleling my proposals of that year to NFPA that led to changes in the 2018 NFPA 101 and 5000 on requirements for both grab bars and stanchions (first identified as “poles” in the 2018 editions). My relatively intensive work in the last year on grab bars and stanchions for bathing usability as well as safety is reflected in Appendix A.

Given the rush of dealing with multiple model codes and standards simultaneously, there is not as much time available for word-smithing and writing very detailed justifications. Appendix A makes up for a lot of that and, as has happened already in this justification, some sample pages from the presentation in Appendix A have been used in this justification that give a flavor for the analysis that has been done to treat the three facility types—water closets, bathtubs and showers—in as integrated a fashion as possible. The augmented photo below is the final example of this. It shows what appears to be a hotel bathroom conversion where the long footprint of the shower means that its entrance is possibly too far from the water closet to share the stanchion. (This is what happens when space is no longer at such a premium as it was in the humble 5 by 7 foot bathroom seen in a number of the illustrations herein and in Appendix A. Reachability becomes more of an challenge when trying to economize on number of stanchions needed.

Finally—*almost*— at least for this preliminary justification section of the proposal, a critical detail that, I hope will be accepted to no longer specify a fixed 1.5-inch clearance between a grab bar and the wall to which it is attached. Here follows the proposed change and below that is the experiment that was painfully executed in the course of addressing this matter empirically. The clearance in the photo sequence that follows was exactly 1.5 inches yet an older male adult’s hand could pass through, sustaining bruising to the back of the hand. Surely this issue of adding one word, “minimum” will be accepted as a similar change has been accepted on related topics.

**609.3 Spacing.** The space between the wall and the grab bar or stanchion shall be 1 1/2 inches (38 mm) minimum. The space between the grab bar or stanchion and projecting objects below and at the ends of the grab bar or stanchion shall be 1 1/2 inches (38 mm) minimum. The space between the grab bar or stanchion and projecting objects above the grab bar or stanchion shall be 12 inches (305 mm) minimum.



Finally, just a brief introduction to the next page which includes a tiny portion Appendix A which is a separate, stand-alone document being provided with this proposal. There is a very strong case, based on injury evidence that there is a major distortion in the use of bathing and showering facilities by older adults who can give up frequent bathing and showering because of the real or feared dangers at worst, and hassles at best, with poorly designed and manufactured plumbing products of bathing and showering. It appears that the main reason, older adults have a reduced number of injuries associated with bathtubs and showers is not that they are reasonably safe but that people choose not to use them. This behavior differs drastically from how older adults use water closets. They have no choice but to use them and this exposure, combined with the lack of suitable points of control result in a major expansion in the number of injuries.

The page that follows, incorporating two of the slides in the PowerPoint presentation that is Appendix A, provides a preliminary examination and beginnings of an analysis which requires some further demographic study which will be done before the A117 Committee meets to discuss this and other proposals. In the meantime, you (the reader) can ponder the next page on your own.

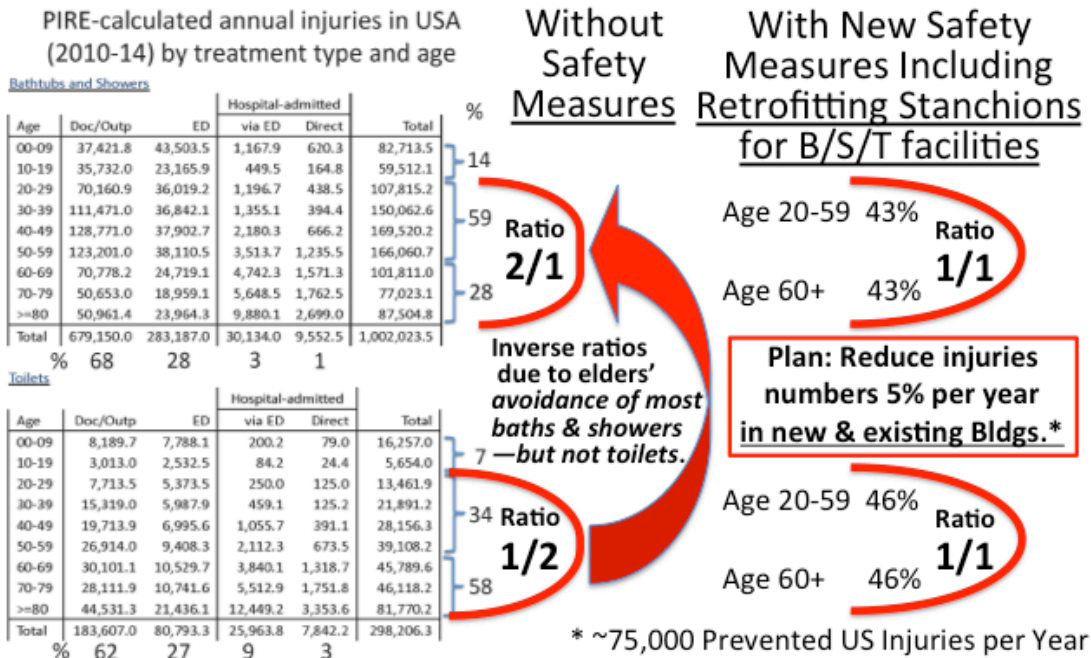
Bottom line, understanding the impact of exposure—i.e., use—is a huge factor that A117.1 can, and must address sooner rather than later. We have to enhance all bathroom activities. ***This is an issue within the scope of A117.1 as the National Standard on Accessibility and Usability.***

the next slide provides another important insight into the role played by elderly people's exposure to another very serious fall risk—toilets—in bathrooms, especially in homes.

People increasingly want to “age in place” but this is needlessly more difficult and dangerous than should be the case with the hazardous trio of:

- ◆ home stairs
- ◆ Bathtubs
- ◆ toilets (water closets or commodes).

The following is more speculative than other relatively-tested ideas on bathroom usability and safety in this presentation. It is intended to further appreciate the need to study some issues and to be more proactive with improving usability and safety at very minimal cost (as illustrated in the largest section of this presentation—examples from actual bathrooms in Canada and beyond).



**Staff Note 8-9-2022 and 8-25-2022: Question divided:**

604 – AS 5-22-2/D 24-6-2

607 – AS 7-18-4/Motion to Disapprove;

Motion to table 17-9-2 till 8/25/2022 call

Motion to untable passed.

Motion to table part 2 to end of chapter 6 carries with 3 votes in opposition.

608 –

Modification to 608.9.1 and 608.9.3 passed 19-1-3

Motion to table parts 3 to end of chapter 6 carries with 1 vote in opposition

609 – Motion to table parts 4 to end of chapter 6 carries with 1 vote in opposition

## 06-13 – 2021 Replacement

604.2, 604.3.1, 604.5, 604.9.6, 604.10.1, 604.11.5, 604.12(New), 607.1, 607.2, 607.9(New), 607.9.1(New), 607.9.2(New), 608.1, 608.9(New), 608.9.1(New), 608.9.2(New), 608.9.3(New), 609, 609.1, 609.2.1, 609.2.2, 609.3, 609.4, 609.4.1, 609.4.2, 609.5, 609.6, 609.7, 609.8, 609.9(New)

**Proponent:** Jake Pauls, Jake Pauls Consulting Service, representing self

**Replace and revise as follows:**

### CHAPTER 1

#### SECTION 107 DEFINITIONS

**Stanchion.** A vertical, horizontal or otherwise configured bar that provides for a power grip by one or both hands, to facilitate user ambulation and postural transitions involving sitting, standing, walking, plus stepping over obstacles and on wet underfoot surfaces. Unlike grab bars, stanchions are generally fixed between surfaces or other bars.

### CHAPTER 6 SECTION 603 TOILET AND BATHING ROOMS

**603.1 General.** Wheelchair accessible toilet and bathing rooms shall comply with Section 603.

603.2 through 603.6 [unchanged]

### SECTION 604 WATER CLOSETS AND TOILET COMPARTMENTS

**604.1 General.** Wheelchair accessible water closets and toilet compartments shall comply with Section 604. Compartments containing more than one plumbing fixture shall comply with Section 603. Wheelchair accessible compartments shall comply with Section 604.9. Ambulatory accessible compartments shall comply with Section ~~604.10-612~~.

**Exception:** Water closets and toilet compartments primarily for children’s use shall be permitted to comply with Section 604.11 as applicable.

**Note:** Consideration of additional Editorial changes, for example to Sections 607 and 608, designating these as dealing with “wheelchair accessible” facilities is recommended, to the Editorial Subcommittee, by this proponent to differentiate such sections from the newly proposed Section 612 on “Ambulatory Accessible” facilities. The Editorial Subcommittee should also decide where it is necessary to add, after certain references to “grab bars,” the new option (for other comparable points of control), “and stanchions.”

### SECTION 609 GRAB BARS AND STANCHIONS

**609.1 General.** Grab bars and stanchions in toilet or bathing facilities shall comply with Section 609.

**609.2 Cross section.** Grab bars and stanchions shall have a cross section complying with Section 609.2.1 or 609.2.2.

**609.2.1 Circular cross section.** Grab bars and stanchions with a circular cross section shall have an outside diameter of 1 1/4 inches (32 mm) minimum and 2 inches (51 mm) maximum.

**609.2.2 Noncircular cross section.** Grab bars and stanchions with a noncircular cross section shall have a cross section dimension of 2 inches (51 mm) maximum, and a perimeter dimension of 4 inches (100 mm) minimum and ~~4.8~~ 6.3 inches (~~120~~ 160 mm) maximum. Corner radius shall be 1/4 inch (6 mm) minimum.

**609.3 Spacing.** The space between the wall and the grab bar or stanchion shall be 1 1/2 inches (38 mm) minimum. The space between the grab bar or stanchion and projecting objects below and at the ends of the grab bar or stanchion shall be 1 1/2 inches (38 mm) minimum. The space between the grab bar or stanchion and projecting objects above the grab bar or stanchion shall be 12 inches (305 mm) minimum.

**Exceptions:**

1. The space between the grab bars or stanchions and shower controls, shower fittings, and other grab bars or stanchions above the grab bar or stanchion shall be permitted to be 1 1/2 inches (38 mm) minimum.
2. Recessed dispensers projecting from the wall 1/4 inch (6.4 mm) maximum measured from the face of the dispenser and complying with Section 604.7 shall be permitted within the 12-inch (305 mm) space above and the 1 1/2-inch (38 mm) spaces below and at the ends of the grab bar or stanchion.

**609.4 Position of grab bars and stanchions.**

**609.4.1 General.** Grab bars shall be installed in a horizontal position, 33 inches (840 mm) minimum and 36 inches (915 mm) maximum above the floor measured to the top of the gripping surface or shall be installed as required by Items 1 through ~~3~~4.

1. The lower grab bar on the back wall of a bathtub shall comply with Section 607.4.1.1 or 607.4.2.1.
2. Vertical grab bars shall comply with Sections 604.5.1.2, 607.4.1.2.2, 607.4.2.2, 607.9, and 608.3.1.2.
3. Grab bars at water closets primarily for children's use shall comply with Section 609.4.2.
4. Grab bars and stanchions for ambulatory accessible toilets not in compartments, ambulatory accessible bathtubs, and ambulatory accessible shower compartments shall comply with Section 612.

**609.4.2 Position of children's grab bars.** *(No change proposed at this time.)*

**609.5 Surface hazards.** Grab bars and stanchions and any wall or other surfaces adjacent to grab bars and stanchions shall be free of sharp or abrasive elements. Edges shall be rounded with a corner radius of 1/4 inch (6 mm) minimum.

**609.6 Fittings.** Grab bars and stanchions shall not rotate within their fittings.

**609.7 Installation and configuration.** Grab bars and stanchions shall be installed in any manner that provides a gripping surface at the locations specified in this standard and does not obstruct the clear floor space. Horizontal and vertical grab bars and stanchions shall be permitted to be separate bars, a single-piece bar, or combination thereof.

**Exception:** Ambulatory accessible bathtubs and toilets complying with Section 612.3 and 612.4.1.1.

**609.8 Structural strength.** Allowable stresses shall not be exceeded for materials used where a vertical or horizontal force of 250 pounds (1112 N) is applied at any point on the grab bar, stanchion, fastener mounting device, or supporting structure.

**609.9 Durability in presence of water.** Grab bars and stanchions, including mountings, shall be installed and sealed, or provided with permanent drainage for components subject to water intrusion.

Possible further modification

**609.9 Durability in presence of water.** ~~Grab bars and stanchions, including mountings, shall be installed and sealed, to protect structural elements from or provided with permanent drainage for components subject to water intrusion and moisture.~~

\* \* \* \* \*

## **SECTION 612**

### **AMBULATORY ACCESSIBLE TOILETS, BATHTUBS AND SHOWER COMPARTMENTS**

**612.1 Scope.** Ambulatory accessible toilets, bathtubs and shower compartments shall comply with Section 612.

**612.1. General.** Grab bars and stanchions, including clearances around them, shall comply with Section 609.

**612.2. Installation Height Standards.** Installation heights for grab bars or stanchions shall comply with Section 612.2.1 for horizontal installations and Section 612.2.2 for vertical installations.

**612.2.1 Horizontal grab bars and stanchions.** For bathtubs, horizontal grab bars or stanchions shall be installed with their centerline 24 inches (610 mm) minimum and 28 inches (710 mm) maximum above the floor. In showers, horizontal grab bars and stanchions shall be installed with their centerlines located 48 inches (1220 mm) minimum and 52 inches (1320 mm) maximum above the floor.

**Exception:** Where the rim height of a bathtub exceeds 25 inches (635 mm) above the floor, the stanchion or horizontal grab bar centerline shall be 3 inches (76 mm) minimum and 6 inches (152 mm) maximum above either the bathtub rim or the top of the deck.

**612.2.2 Vertical grab bars and stanchions.** Vertical grab bars and stanchions shall be installed so as to be graspable at a height of 36 inches (915 mm) minimum and 60 inches (1525 mm) maximum above the floor.

**612.3 Water closets grab bars or stanchions.** The vertical stanchion or grab bar shall be located within an area that is both to the side of the bowl and in front of the bowl within an arc measured 24 inches (610 mm) from the front and center of the bowl.

**612.4 Bathtub grab bars or stanchions.** Grab bars or stanchions shall be provided at bathtubs on the access side complying with Sections 612.4.1 and at the non-access side complying with Section 612.4.2.

**612.4.1 Access side of bathtubs.** A clearance shall be provided adjacent to the bathtub extending 30 inches (762 mm) minimum in length and 30 inches (762 mm) in depth. A vertical grab bar or stanchion

shall be provided on the access side of the bathtub, adjacent to the clearance and complying with Section 612.4.1.1, 612.4.1.2 or 612.4.1.3.

**612.4.1.1 Vertical stanchion.** A vertical stanchion shall be installed on the rim or the bathtub or on the outside of the bathtub within 4 inches (102 mm) measured horizontally from the centerline of the stanchion to the outside face of the bathtub at the stanchion.

**612.4.1.2 End wall grab bar interior of bathtub.** A vertical grab bar shall be installed on an end wall 9 inches (229 mm) minimum and 12 inches (305 mm) maximum measured horizontally from the centerline of the grab bar to the outside face of the bathtub below the grab bar.

**612.4.1.3 End wall grab bar exterior of bathtub.** A vertical grab bar shall be installed on an end wall 4 inches (102 mm) maximum measured horizontally from the centerline of the grab bar to the outside face of the bathtub below the grab bar.

**612.4.2 Non-access Side of Bathtubs.** A grab bar or stanchion shall be provided on the non-access side of the tub complying with Section 612.4.2.1, 612.4.2.2 or 612.4.2.3.

**612.4.2.1. Horizontal Grab Bar.** A horizontal grab bar shall be installed on the back wall and shall be of 36 (915 mm) minimum in length with the ends located 12 inches (305 mm) maximum from the from the head and control ends of the bathtub.

**612.4.2.2 Horizontal Stanchion.** A horizontal stanchion shall be installed between the head and control end walls.

**612.4.2.3 Diagonal Grab Bar.** The diagonal grab bar shall be installed on the back wall and shall be 36 inches (305 mm) minimum in length. Its slope shall be 30 degrees minimum to 60 degrees maximum to horizontal. The upper end shall extend to 12 inches (305 mm) maximum from the control end wall. The lower end of the diagonal grab bar shall be 3 inches (76 mm) minimum and 6 inches (152 mm) maximum above the bathtub rim.

**612.5. Shower Compartment Grab Bars and Stanchions.** For shower compartments having a diagonal dimension of 51 inches (1295 mm) maximum, a grab bar or stanchion shall be provided in accordance with Section 612.5.1, 612.5.2 or 612.5.3. For shower compartments having a diagonal dimension of greater than 51 inches (1295 mm), two grab bars or stanchions shall be provided with one in accordance with Section 612.5.1, 612.5.2 or 612.5.3 and a second grab bar or stanchion in accordance with Section 612.5.4 or 612.5.5.

**612.5.1 Horizontal Grab Bar Option.** A horizontal grab bar shall be installed with a minimum length of 24 inches (610 mm) and located inside the compartment with one end within 4 inches (100 mm) of the shower entrance opening.

**612.5.2 Vertical Grab Bar Option.** A vertical grab bar shall be installed with the grab bar centerline located within 3 inches (75 mm) of the shower entrance opening, either inside or outside the compartment.

**612.5.3 Vertical Stanchion.** A vertical stanchion shall be installed with the stanchion centerline located within 3 inches (75 mm) of the shower entrance opening, either inside or outside the compartment.

**612.5.4. Second grab bar.** A horizontal grab bar shall be provided on the back wall of the shower. The grab bar shall have its ends extending to within 12 inches (305 mm) of each end of the side walls.

**612.5.5. Second stanchion** A horizontal stanchion shall be provided on the back wall of the shower. The stanchion shall extend the full length of the back wall mounted between side walls.

**Reason statement:**

**General Background to A117.1 Proposal 06-13 Now Being Replaced and Selected Details**

A very large portion of the population, needing to use toilets, bathtubs and showers, have disabilities that still permit ambulation that ranges from fully capable to highly compromised. This is most marked with increasing age and is also manifested in missteps and falls through the entire lifespan.

Countermeasures for the injuries and further disabilities that result from falls and other incidents, are addressed in a preventative or mitigation fashion by other ANSI standards besides A117.1. However, it should be stressed that ICC ANSI A117.1 focuses on the architectural or general design and installation implications for use of essential facilities more generally. It addresses an important set of user needs.

Further use of toilets, bathtubs and showers is impacted as individual user experience with the facilities becomes increasingly problematic, difficult and consequential with time and exposure. Use and usability generally are the focus of A117.1. Maintaining and enhancing regular use of bathing and showering facilities should, for example, be as important as is regular toilet use.

With application of an expanded A117.1, all of these facilities can be made more usable, without sacrificing or complicating both voluntary and essential user exposure to the facilities by the entire population. The provisions set out in this proposal advance this objective, using comparable ergonomic expertise to that applied for decades, improving the lives of people with physical disabilities whose ambulation has been affected in the most consequential ways. The scope of affecting people's lives generally, by addressing ambulation more comprehensively, is now being expanded significantly with these initial recommendations on ambulatory accessible facilities. A comprehensive re-examination of children's use of facilities is outside of scope here.

One specific change from the original submission is that, as just noted (in the end of the prior paragraph), there was originally a minor change proposed to the first part of **609.4.2 Position of children's grab bars and stanchions**. These involved adding a few references to "stanchions" as options to grab bars, but in the revised proposal draft provided above, it was noted, "**609.4.2 Position of children's grab bars.** (*No change proposed at this time.*)" Although my personal library includes detailed anthropometric data for children as well as a copy of the landmark book, "*Ergonomics for Children*," for which I was the author invited to write the chapter on children and stairs which has some relevant information on children development and anthropometrics on matters such as capabilities with points of control, including reach, grasp height preferences, and hand grip capabilities, I was simply too busy to do further research with and beyond the *Ergonomics for Children* book which is in my Toronto office library.

Another change from the original submission was to reference tub grab bar heights relative to the floor rather than to the top of the tub rim. However, there remains, in the currently proposed text, one reference to height measured to the bathtub rim and that is for diagonal grab bars on the back wall. For these, given the option of using any grab bar slope from 30 to 60 degrees, there are some complications to the bar's height that might be



further clarified at public comment stage. Diagonal bars on tub back walls are, apparently, a newer configuration in the US than they are in Canada.

Other matters where there were changes from the original proposal relate, for example, to adding exceptions for stanchions in Sections for toilets, bathtubs and showers. These did not get much support in the Work Group and the issue was better resolved by clarifying, with new (editorial) text that those few Sections could, editorially, be fixed by adding “Wheelchair Accessible” to their title headings. That would improve the Standard considerably in my opinion.

In terms of possible new requirements being added between my original submission of the Proposal and now, the addition, in my Proposal, to make the rule that grab bar edges be rounded should be improved by requiring a quarter-inch radius of rounding was made in only one of the sections of 609 where this was to be required. The second of the references to this topic occurs in 609.5, “Surface hazards” section, which I had misread to apply not to the grab bar’s bar/tubing element but to the surrounding surfaces. I was told that the somewhat ambiguous wording meant both the grab and its surroundings had to meet the rounding rule which I had dealt with in 609.2.2, Noncircular cross section. During deliberations so far, there has been no objection to adding the minimum quarter inch rounding to both sections and it is clearly my hope that both sections get full public review as proper proposals and are accepted.

Related to these issues with Section 609, it would help if, *editorially*, the order of subsections be made a bit more rational keeping similar issues together. With the need to address my sweeping change in Chapter 6, including editorial cleanup, this might be appropriate for Editorial Subcommittee work later. Having already served my time on the Editorial Subcommittee, I hope to stay clear of its very important work load at this time. Other members of the A117 Committee should appreciate how valuable an education it is to serve on the editing task for the Standard.

**For much more, see the accompanying, full Reason Statement which includes highlights of pre-2022 justification materials considered by the A117 Committee, especially its Work Group on Proposal 06-13, during 2022. The Work Group on Proposal 06-13, met several times during 2022 and the work by a few of its participants, such a Kim Paarlberg and Marsha Mazz, were notable.**

**Staff note: “The accompanying, full Reason Statement” is included below.**

---

**Justification for Revised Proposal  
on Ambulatory Accessible Toilets, Bathtubs and Showers  
Submitted by Jake Pauls, BArch, CPE, HonDSc  
[bldguse@aol.com](mailto:bldguse@aol.com) & [www.bldguse.com](http://www.bldguse.com)  
December 12, 2022**

**Foundations.** Connecting both wheeled and bipedal ambulation-based access to bathing, showering and toileting is the science and technology of ergonomics and, in a secondary way, public health. As a Certified Professional Ergonomist (like a few others on the A117 Committee) and now the longest serving representative on several ICC and NFPA committee formally representing the American Public Health Association, the proponent brings important perspectives to our (now virtual) deliberation table. This has taken a major group effort and more perspectives.

**Work Group Formed.** The proponent’s first recommendation, made in 2021, was that a task/work group be formed of a small number of interested, informed members of the Committee (and a few experts from outside the Committee) to address the change proposal and, to a lesser extent, the justification or reason statement.

This niche, on bathing, showering and toileting, already is mostly addressed by another ANSI standard—one with a safety motivation and scope (i.e., NFPA 101). Now we need to address such facilities with a usability focus in the most widely respected ANSI standard on facility usability—A117.1. NFPA adopted requirements for safety of bathtubs and showers in its 2018 editions of NFPA 101 and 5000, updating the terminology to include “stanchions” in their 2021 editions. NFPA and the ANSI A117 Committee share a concern for ambulation of facility users, the latter recognizing that a large proportion of people with disabilities are, indeed, ambulatory and the former recognizing, decades ago, that a significant number of people requiring safety in buildings are not ambulatory.

**An Option If A117 Committee Does Nothing.** Unless ICC wishes to reference NFPA 101 in ICC A117.1 for requirements on grab bars and stanchions for usability as well as safety, the A117 Committee needs to develop its own requirements covering ambulatory accessible water closets, bathtubs and showers. (It did this for stairs decades ago.)

**Basic Tools (Including Visual Aids).** Fortunately, the tools we will employ in this task are largely identified. They build upon basic ergonomic concepts such as attention to anthropometry, including reach capabilities, plus balance (as affected by location of ones Center of Mass— COM), and points of control, especially upper body ones, etc.

**Related but Disparate Efforts.** Note that this topic, at least of bathing and showering, is being currently addressed—*or barely addressed*—in disparate ways, by three North American organizations in relation to several documents, that will be published in the 2020s. They are:

- *International Code Council* (for the *International Building Code* and the *International Residential Code*)
- *National Fire Protection Association* (for the *Life Safety Code* and the *NFPA Building Construction and Safety Code*)
- *Canadian Commission on Building and Fire Codes*, replaced on November 22, 2022 by the recently formed *Canadian Board for Harmonized Construction Codes* (CBHCC) to oversee development and adoption of the *National Building Code of Canada* (NBCC) but, apparently, with far less attention given to usability and safety of homes as well as human factors or ergonomics and public health principles generally in all new buildings.

**Borrowing from Other Deliberations.** The proponent of the A117.1 changes is (or recently has been) also a leading proponent of changes to all these documents affecting the technical requirements and scoping for all occupancies (with a very few exceptions for some institutional settings healthcare and detention/correction). Thus this proposal for A117.1 is an amalgam of several other proposals (dating back to 2007 in the case of one co-proponent’s— Dr. Nancy Edwards’—early proposal for the NBCC in Canada).

**Terminology and Implementation Criteria.** We start with terminology in case the ANSI A117 Committee feels we should define what stanchions are (and perhaps what *Points of Control* are, including especially upper body points of control making use of stanchions). For the following, the proponent borrows freely from proposals and explanatory presentations prepared not only for other codes/standards- developing bodies in North America, but for world conferences on state-of-the-art ergonomics plus applications where usability is currently poorly provided. Before addressing stanchions (as well as grab bars), we need to understand “points of control.”

**Point of Control** (not being proposed as a definition for A117.1 as this requires more work and more expert input). The securely maintained contacts, including with a power grip by ones hand, on a stanchion, grab bar or handrail and the placing of ones foot on a slip-resistant, underfoot surface that permits efficient, comfortable and safe ambulation on a (near) level surface, climbing over an obstacle (e.g., a bathtub rim), and ascending or descending to a higher or lower stair tread.

Although I am not able to provide an official definition of the term “Point of Control” (which is likely in one of the reference handbooks in my Toronto office library), there is a definition for “power grip”—which is what we hope to achieve for a “point of control.” The definition “**Power Grip**” is a “prehensile grasp by either hand, with the thumb opposing the fingers, of an object to control or manipulate it.” (Thompson, D.A. *et al.* 2005. A guide to forensic human factors terminology. In: Noy, Y.I. and Karwowski, W. (Eds.) *Handbook of Human Factors in Litigation*. New York: CRC Press, 38-1 – 38-46.) It is reported, by this same source, to be the most powerful manual gripping method, with a 50<sup>th</sup> percentile grip strength of approximately 500 Newtons, 112 pound force, for males and 270 Newtons, 60 pound force, for females. Thus there are relatively few men who, with such a one-handed grip on a grab bar or stanchion, could exceed its required 250 pound load strength.

See the previously provided table, below, for some examples of various extents of available or utilized points of control in several contexts. Those achieved with the implementation of the proposed new requirements for use of toilets, bathtubs and shower exist, *at a minimum*, in the 3 central red box—with *two points of control*—of the table of options.

Number of Points of Control Via Hands or Feet	≤1	1	2	3	3-4
Standard walker for older adult with altered gait.					✓
Occupational settings with risk of worker falls from heights. Also, stairs where users can use two handrails simultaneously, one on each side.				✓	
<u>Stairs where users have only a single handrail.</u> <b>Grab bar(s) usable for bathtub/shower entry/egress.</b>			✓ ★		
Bathtubs/showers with slip resistant underfoot surfaces when wet.		✓			
Bathtubs/showers without slip resistant underfoot surfaces when wet, the common condition currently.	✓				

Where underfoot conditions, or capabilities of lower limbs do not provide a reliable point of control, the required two minimum points of control would be a secure handhold for both of ones arms. In some situations a single stanchion could provide two points of control, for example with a bathtub rim-mounted, vertical stanchion which both arms can effectively lock onto, with effective power grips of the hands; this permits pivoting during a sidestep over the rim and onto, or from, a relatively dangerous smooth, wet, curved bottom of a bathtub. Such an approach, which could be from any direction, cannot be achieved with a standard grab bar that is very close to a large wall surface.

For a more detailed discussion of points of control, see the video (one of about 30) available for free streaming at my Website, <http://www.bldguse.com/VideoPage.html>, specifically <https://vimeo.com/channels/866600/117572176> which addresses “points of control” with participation from a few members of the A117 Committee in a 2014 meeting at my Toronto office. Some of the discussion dealt with a related term, “point of contact.”

Stanchions are, like grab bars and handrails, examples of points of control for which the following definition was developed by the Proposal 6-13 Work Group, with discussion of— *and later addition of the second (last) sentence which differentiates stanchions from grab bars.*

**Stanchion** (as defined in the Public Comment Modification Form). A vertical, horizontal or otherwise configured bar that provides for a power grip by one or both hands, to facilitate user ambulation and postural transitions involving sitting, standing, walking, plus stepping over obstacles and on wet underfoot surfaces. Unlike grab bars, stanchions are generally fixed between surfaces or other bars.

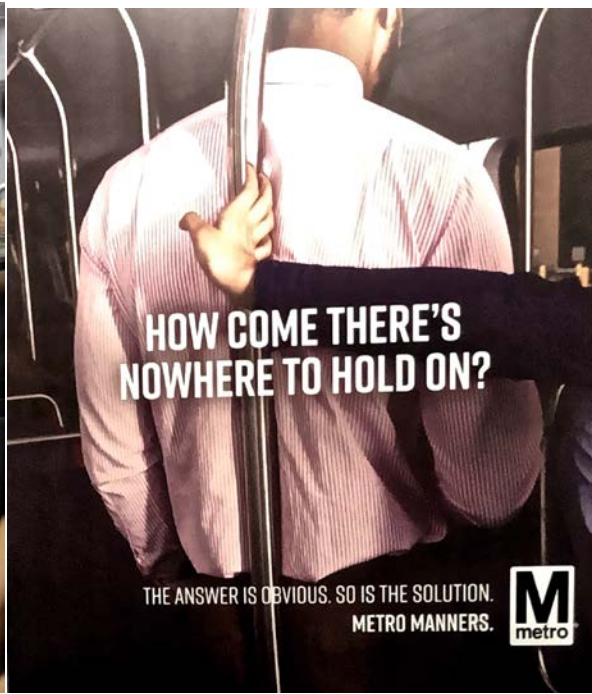
Photographs below represent about two centuries of development of stanchions in the field of transportation vehicle design and their use by ordinary people without formal background in ergonomics, standards development, etc. They also illustrate how stanchions can be attached to other bars as well as being positioned between floor and ceiling (bars or other surfaces).

While on the topic of transportation vehicles, pertinent ADA Guidelines refer to stanchions, e.g., *1192—Americans With Disabilities Act (ADA) Accessibility Guidelines For Transportation Vehicles* refers repeatedly to “Interior circulation, handrails and stanchions.”



The photos below depict the importance of such stanchions to riders as well as to transportation authorities, in this case in the Washington, DC region Metro system. They provided the poster, at the right, depicting one use of stanchions that is rarely seen, but represents an example of “point of contact” which prevents stanchion use as a “point of control” Also note, at the left, the height at which most standing users of the transportation system hold onto stanchions, namely at shoulder to head height, a height that all ages appear to favor—including toddlers’ early use of handholds (discussed in the book chapter I authored, by invitation, years ago [Pauls, J., 2007]. “Stairways for Children.” In *Ergonomics for Children: Designing products and places for toddlers to teens*, Lueder, R and Rice, V. [Eds.], CRC Press, Taylor and Francis, Boca Raton, FL, pp. 543-571.)

Note also the ubiquity of the provision of stanchions; one is generally within reach of every seated or standing passenger in the latest generation of Metro Subway cars (as well as buses).



**Stanchions and Toilets.** For toilet use-related (stand-to-sit and sit-to-stand) transfers, both ergonomics and scientifically-established personal preferences are for points of control for each of our two arms/hands to be available. (See the 2015 paper, *Toilet Grab-Bar Preference and Center of Pressure Deviation During Toilet Transfers in Healthy Seniors, Seniors With Hip Replacements, and Seniors Having Suffered a Stroke*, by Kennedy, Arcelus, Guitard, Goubran, and Sveistrup. Web link: <http://dx.doi.org/10.1080/10400435.2014.976799>.)

The leading preference, identified in this study, was for two handholds on vertical points of control—e.g., stanchions or grab bars—one on each side, and at the front of the toilet; second preference was for only one such point of control (out of five options including also horizontal, “ swing-away” and diagonal options.) This is why the revised proposal has the following requirements applying generally (in the case of the first item) and to toilets (in the second item quoted here). Note that the height range specified for vertical stanchions and grab bars, 36 to 60 inches, includes over 95 percent of the US adult population’s range of stature or shoulder height as well as including—at the 36-inch minimum, stature of children in the 3.5 to 4.5-year age range.

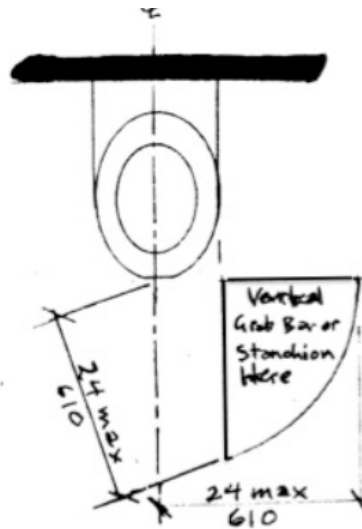
**“612.2.2. Vertical grab bars and stanchions shall be installed so as to be graspable at a height of 36 inches (915 mm) minimum and 60 inches (1525 mm) maximum above the floor.**

Note that, in addition to taking care to utilize good sources of anthropometric data for heights of required vertical points of control, the proponent of Proposal 06-13 also provided a first draft of a plan view figure to help clarify the position of vertical grab bars or stanchions serving toilets. Here follows the proposed text as well as the first-draft sketch

**612.3 Water closets grab bars or stanchions.** The vertical stanchion or grab bar shall be located within an area that is both to the side of the bowl and in front of the bowl within an arc measured 24” from the front and center of the bowl.”

**FIGURE 612.2  
AMBULATORY ACCESSIBLE WATER  
CLOSET IN RELATION TO VERTICAL  
GRAB BAR OR STANCHION LOCATION**

The Figure shows the grab bar or stanchion at the user's left side but it could be on either side or both sides. Note 24 inches is the radius of the curved portion of the boundary within which stanchion or grab bar centerline is located.



The whole point of the major changes submitted for the A117.1 standard, especially in Section 612 of the plumbing chapter is to add one or two upper body points of control to the single weight-bearing foot, for example, (1) in entry to, using, and exiting from a bathtub or shower enclosure and (2) sitting down on or arising from a water closet. An increasing proportion of the population is in need of such aids if ambulatory people are to remain independently capable, as long as possible, of common activities of daily living without avoidable risks of injury-created disabilities, either temporary or permanent. As well as being a reasonable advance in public health in terms of injury prevention, it is a major quality of life benefit, the value of which greatly exceeds the cost of installing the stanchions and grab bars.

Moreover, as was pointed out in the first dozen or so slides of a very large slide set presentation provided to Committee members of A117 as well as other codes/standards bodies, people reduce their use of relatively dangerous facilities such as stairs, bathtubs, and even showers at an age well below normal retirement age because of the sad state of not just the safety risks but the lack of reasonable *usability* of the facilities. They can do this with stairs, bathtubs and showers, but they cannot do so with toilets. The results of this situation are clear in the statistics on the relatively rapid growth of toilet related injuries but not so with the stairs, bathtubs and showers. See the analyses provided with the original proposal for quantitative data on the extent of this disproportionate growth.

The information below sums up the situation as it can be understood from the injury data in the NEISS system of emergency department treatments augmented by colleagues of the Proponent (at the Pacific Institute for Research and Evaluation (PIRE), in Calverton, Maryland) who provided their expert estimates of how many more treatments were delivered, not in hospitals, but doctors' offices and clinics. The information below comes from the proponent's 144-slide, PowerPoint presentation for the A117 Committee Proposal 06-13-2021 Work Group meeting held 14 March 2022 with slight modifications in August 2022.

As only two slides (numbers 17 and 27 of 144 are extracted here, much is lost of the development of the proponent's realization that bathtubs, showers and toilets pose not only serious injury dangers to all ages but they also pose significant disincentives to use of these facilities as they do with (especially home) stair use also. This shows up in a reduced or only slightly increased relative population-corrected risk of professionally treated injuries for all users of stairs and bathtubs. However, for toilets, whose use cannot be reduced by any age group, the relative population corrected risk increases by a factor of 4.8 for older (age 60+) people relative to 1.00 for middle age (20-59) people. For bathtubs the older (age 60+) people have a population

corrected risk of 1.27 relative to 1.0 for middle age (20-59) people.

		PIRE-calculated annual injuries in USA (2010-14) by treatment type and age					Analysis of Treated Injury Risk of Facility Use — 90% in Homes	
		Hospital-admitted			Total		% (by age)	
		Doc/Outpt	ED	via ED	Direct			
<b>S</b> Stairs	Age							
	00-09	149,389.0	132,344.0	4,313.0	1,518.0	287,564.0	15	(00-19)
	10-19	240,132.0	122,449.0	2,285.5	824.6	365,691.1	66	(20-59)
	20-29	422,114.0	198,838.0	4,634.7	1,533.7	627,120.4	20	(60+)
	30-39	560,978.0	184,438.0	5,628.9	1,930.3	752,975.2		
	40-49	634,787.0	173,156.0	9,241.0	3,050.3	820,234.3		
	50-59	502,896.0	148,100.0	14,903.3	5,131.4	671,030.7		
60-69	286,900.0	94,429.1	16,556.9	5,546.9	403,532.9			
70-79	173,515.0	66,176.8	17,891.0	6,021.7	263,604.5			
≥80	106,489.0	55,507.0	23,772.4	6,356.7	191,625.1			
Total	3,077,207.0	1,175,439.0	98,754.8	31,991.4	4,383,392.2			
		%	68	28	3	1		
<b>B</b> Bathtubs Showers	Age							
	00-09	37,421.8	43,503.5	1,167.9	620.3	82,713.5	14	(00-19)
	10-19	35,732.0	23,165.9	449.5	164.8	59,512.1	59	(20-59)
	20-29	70,160.9	36,019.2	1,196.7	438.5	107,815.2	27	(60+)
	30-39	111,471.0	36,842.1	1,355.1	394.4	150,062.6		
	40-49	128,772.0	37,902.7	2,180.3	666.2	169,520.2		
	50-59	123,201.0	38,110.5	3,513.7	1,235.5	166,060.7		
60-69	70,778.2	24,719.1	4,742.3	1,571.3	101,811.0			
70-79	50,653.0	18,959.1	5,648.5	1,762.5	77,023.1			
≥80	50,961.4	23,964.3	9,880.1	2,699.0	87,504.8			
Total	679,150.0	283,187.0	30,134.0	9,552.5	1,002,023.5			
		%	68	28	3	1		
<b>T</b> Toilets	Age							
	00-09	8,189.7	7,788.1	200.2	79.0	16,257.0	7	(00-19)
	10-19	3,013.0	2,532.5	84.2	24.4	5,654.0	34	(20-59)
	20-29	7,713.5	5,373.5	250.0	125.0	13,461.9	58	(60+)
	30-39	15,319.0	5,987.9	459.1	125.2	21,891.2		
	40-49	19,713.9	6,995.6	1,055.7	391.1	28,156.3		
	50-59	26,914.0	9,408.3	2,112.3	673.5	39,108.2		
60-69	30,101.1	10,529.7	3,840.1	1,318.7	45,789.6			
70-79	28,111.9	10,741.6	5,512.9	1,751.8	46,118.2			
≥80	44,531.3	21,436.1	12,449.2	3,353.6	81,770.2			
Total	181,607.0	80,793.3	25,963.8	7,842.2	298,206.3			
		%	62	27	9	3		

		Analysis of Treated Injury Risk of Facility Use — 90% in Homes				
		% (by age)	Rate/1000*	Relative Risk	Use?	Facility
<b>S</b> Stairs	15 (00-19)	7.93	0.46	Yes		
	66 (20-59)	17.2	Ref. 1.00	Yes	Stairs	
	20 (60+)	14.6	0.85	Can Limit and Do		
<b>B</b> Bathtubs Showers	14 (00-19)	1.73	0.49	Yes		
	59 (20-59)	3.55	Ref. 1.00	Yes	Bathtub Shower	
	27 (60+)	4.51	1.27	Can Limit and Do		
<b>T</b> Toilets	7 (00-19)	0.27	0.43	Yes		
	34 (20-59)	0.61	Ref. 1.00	Yes	Toilet	
	58 (60+)	2.94	4.82	Cannot Limit It is a major health issue.		

\*US-2012

**S** So what? Use of the three S/B/T facilities has hedonic *motivation drivers* including risk, discomfort or pain with stair use as one ages.

**B** Use of baths and, especially, showers is motivated by *pleasure & revitalization along with growing dread re. falls* as one ages.

**T** While there is *some relief as wastes are voided*, with age one faces *more difficulties with transfers (e.g. sit-to-stand) and a greatly increased risk of falls.*

The photographic series, below with a century-old trolley, provides a brief story of how effective stanchions are, even for young children encountering steps comparable in height to what is needed to surmount the wall of a typical bathtub; the height depicted here is about 16 inches (400 mm), comparable to what is found in minimum standard (e.g., *International Residential Code*) permitted stairways for dwelling units—except there is no intermediate step to use as many older people need to do when using stairs (with both feet using every step). Note also the relatively puny grab bar to the woman’s left; it lacks the usefulness of the two (platform to ceiling) stanchions, marked in yellow, better serving the formidable two-riser stair in terms of both length and location.



An important lesson, from the photo sequence above, is that stanchions provide more options for placement and more options for users to choose the points of control they perceive as important to their task and safety. In other words ordinary people, even of young age, are displaying skill in ergonomics (the science and technology of how people utilize things, systems, etc. available to them to perform tasks effectively, comfortably, and safely).

For purposes of this A117.1 proposal, along with grab bars, it should be clear that stanchions are reliable, indeed superior, time-tested means of providing for “points of control” and they provide options for location and length that greatly exceed what conventional grab bars can provide—as they do not rely on walls from which they cantilever. (They can be *between* walls, *between floor and ceiling*, etc.)

#### **Section 612.4. Bathtub Grab Bars or Stanchions**

The graphic on the next page combines all of the stanchion and conventional grab bar options set out in the partial re-write of A117.1 Chapter 6, “Plumbing Elements and Facilities,” specifically for bathtubs.

All of the eight options are illustrated in the graphic below. The options are in two groups, three options for the one stanchion or grab bar on the non-access side or back wall and five options for the one required grab bar or stanchion on the access side (front). At the front, the vertical stanchion has options for placement anywhere along the length of the bathtub (depending on fixture layout in the bathroom and where the clear, half bathtub length area (required by **Section 612.4.1 Access side of bathtub**) is located—here in front of the water closet (WC).

On the next page the stanchion is shown mid-tub length (where it is *surface---mounted* (with Automotive Grade RTV adhesive) on the *steel* tub rim, but could also be floor mounted for other tubs with less strength or rigidity) so it also serves the WC per proposed new section quoted above.

**612.4.1 Access side of bathtubs.** A clearance shall be provided adjacent to the bathtub extending 30 inches minimum in length and 30 inches minimum in depth. A vertical grab bar or stanchion shall be provided on the access side of the bathtub, adjacent to the clearance and complying with Section 612.4.1.1, 612.4.1.2 or 612.4.1.3.

**612.4.1.1 Vertical stanchion.** A vertical stanchion shall be installed on the rim or the bathtub or on the outside of the bathtub within 4 inches measure horizontally from the centerline of the stanchion to the outside face of the bathtub at the stanchion.



**612.4.1.2 End wall grab bar interior of bathtub.** A vertical grab bar shall be installed on an end wall 9 inches minimum and 12 inches maximum measured horizontally from the centerline of the grab bar to the outside face of the bathtub below the grab bar.

**612.4.1.3 End wall grab bar exterior of bathtub.** A vertical grab bar shall be installed on an end wall 4 inches maximum measured horizontally from the centerline of the grab bar to the outside face of the bathtub below the grab bar.



Note the options for the access side, end wall-mounted grab bar do not permit placing this grab bar where it would interfere with the installed shower curtain rod (or track) or installation of an enclosure system of sliding glass panels for example. Several inches of horizontal dimension are reserved on the end walls for such water control barriers, e.g., a shower curtain, to seal to the end walls.

The most common defect with grab bar placement the author saw repeatedly in his many stays in hotels around the world was having both the shower curtain and the vertical grab bar competing for the same region of the end wall. The result: during a shower, water ended up leaking to the bathroom floor, in some cases getting into end walls with moldy results.

Here follow the proposed texts for the bathtub grab bars or stanchions with the graphic on the prior and next page illustrating the full range of options. *However, note that the illustration of the diagonal grab bars has incorrect lower end heights above the bathtub rim (based on another, early design) which must be corrected here to a 3 to 6-inch range above the tub rim.*

*Again, disregard the dimension of 8" min to 10" max above the bathtub rim for the bottom of 10 the diagonal grab bar examples; the distance in the current A117 proposal is 3 to 6 inches above the bathtub rim. The illustration was from an earlier draft proposal.*



**612.4.2 Non-access Side of Bathtubs.** A grab bar or stanchion shall be provided on the nonaccess side of the tub complying with Section 612.4.2.1, 612.4.2.2 or 612.4.2.3.

**612.4.2.1. Horizontal Grab Bar.** A horizontal grab bar shall be installed on the back wall and shall be of 36" minimum in length with the ends located 12 inches maximum from the from the head and control ends of the bathtub.

**612.4.2.2 Horizontal Stanchion.** A horizontal stanchion shall be installed between the head and control end walls.

**612.4.2.3 Diagonal Grab Bar.** The diagonal grab bar shall be installed on the back wall and shall be 36 inches minimum in length. Its slope shall be 30 degrees minimum to 60 degrees maximum to horizontal. The upper end shall extend to 12 inches (305 mm) maximum from the control end wall. The lower end of the diagonal grab bar shall be 3 inches minimum and 6 inches maximum above the bathtub rim.

**612.5. Shower Compartment Grab Bars and Stanchions.** For shower compartments having a diagonal dimension of 51 inches (1295 mm) maximum, a grab bar or stanchion shall be provided in accordance with Section 612.5.1, 612.5.2 or 612.5.3. For shower compartments having a diagonal dimension of greater than 51 inches (1295 mm), two grab bars or stanchions shall be provided with one in accordance with Section 612.5.1, 612.5.2 or 612.5.3 and a second grab bar or stanchion in accordance with Section 612.5.4 or 612.5.5.

**612.5.1 Horizontal Grab Bar Option.** A horizontal grab bar shall be installed with a minimum length of 24 inches (610 mm) and located inside the compartment with one end within 4 inches (100 mm) of the shower entrance opening.

**612.5.2 Vertical Grab Bar Option.** A vertical grab bar shall be installed with the grab bar centerline located within 3 inches (75 mm) of the shower entrance opening, either inside or outside the compartment.

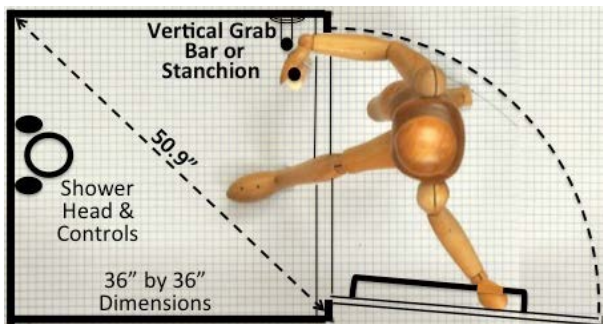
**612.5.3 Vertical Stanchion.** A vertical stanchion shall be installed with the stanchion centerline located within 3 inches (75 mm) of the shower entrance opening, either inside or outside the compartment.

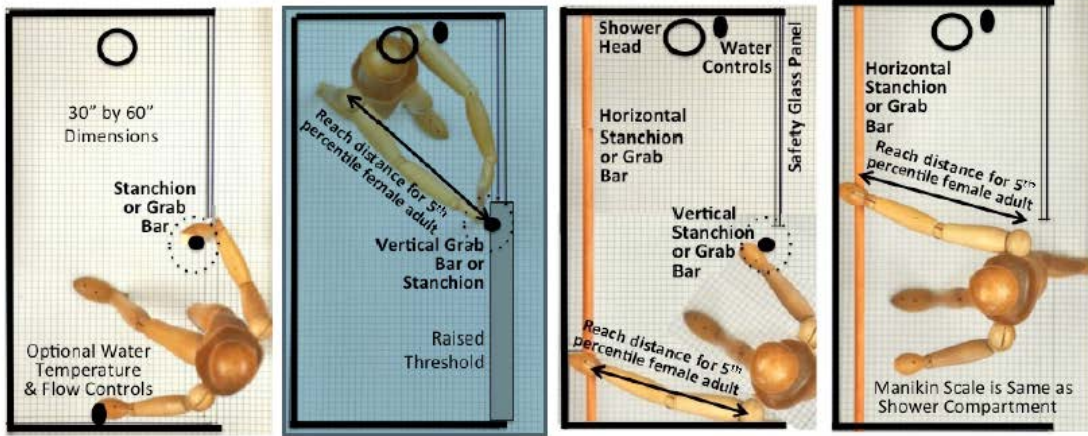
**612.5.4. Second grab bar.** A horizontal grab bar shall be provided on the back wall of the shower. The grab bar shall have its ends extending to within 12 inches of each end of the side walls.

**612.5.5. Second stanchion** A horizontal stanchion shall be provided on the back wall of the shower. The stanchion shall extend the full length of the back wall mounted between side walls.

To help understanding of these conditions and grab bar plus stanchion options, the proponent initiated a different form of illustration of options for two increasingly standard shower compartment plans differing by the maximum horizontal, diagonal dimension being no greater than 59 inches or being greater than 59 inches. The latter include showers replacing, in approximately the same space a fairly standard, roughly 30-inches by 60-inches bathtub area.

The different form of illustration of options involved use of 1/4-size plans and 1/4-size artists manikins photographed, with a (faint) 1-inch grid, from an overhead position, using a mirror to get a longer shot and better perspective (as the manikins were about 16 inches high). Here are the options explored starting with plan view of 36-inch by 36-inch (915 mm by 915 mm) in plan size, addressed in 612.5.2 and 612.5. (612.5.1, with the horizontal GB or stanchion option is not shown for this smaller size of shower, although it is a permitted option).



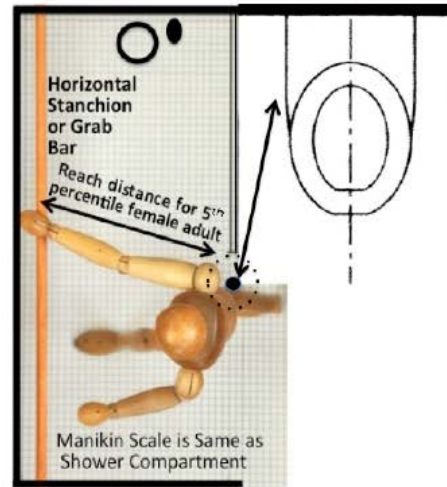


A

B

C

D



Option C Augmented to show vertical stanchion also serving adjacent WC.

See accompanying illustration below.

**Options for Using Vertical Stanchions or Grab Bars At Shower Entrance With And Without Full Length Horizontal Stanchion or Grab Bar Per 612.5.4.**



Pending discussion with the A117 Committee and its Chair on suitability of invoking an option to restrict larger showers to Option C based on an individual case assessment of adequate slip resistance underfoot in the shower, only a two grab bar or stanchion combination should be accepted for the larger showers. This is due to much greater consequences of slipping in the larger plan showers. Committee views on this matter are requested before or during the December 15<sup>th</sup> meeting. A simple pass/fail test of onsite, wet, shower pan slip

resistance, performable *without* a tribometer (or other specialized equipment) and skilled operator, will be presented to the entire committee.

**Appendix of Some Expanded Consideration of Certain Topics that are prominent in this Proposal: Consumer acceptance of stanchions and the proposal (within 06-13) on changing the 1.5 inch clearance between a grab bar (or stanchion) surface to a minimum requirement.**

**Stanchion Acceptance.** A significant aspect of the proposal for A117.1 is the introduction of stanchions, the history and ubiquity—*outside of bathrooms*—has already been addressed above. In the photos below, they are seen in three of the contexts at the heart of A117.1 Chapter 6, as it will be amended with the acceptance of this proposal which deals, typically with new construction.

All of the examples below represent retrofit installations. Moreover, they are all retrofits in rental contexts where damage to walls is frowned upon by owners. Thus all of the examples shown of stanchions in this proposal narrative, include stanchions that can be removed (followed with the usual repainting between tenancies) without any screw holes in floors, ceilings and, most important (usually) walls.

Modern RTV (Room Temperature Vulcanizing) adhesives hold these stanchions in place with holding capability easily meeting the 250-pound strength requirement. This adds new usefulness to A117.1 and, more importantly, to many people who develop disabilities of all types as they age and who want to “age in place” where they feel most at home.

Stanchions also avoid any grab bar stigma issues as, evident especially in the two photos at the center and right sides below, the stanchions appear totally integrated with the décor, even serving as a much needed lighting pole to enhance bathroom lighting while saving energy. These stanchions all comply with the proposed requirements, completely for the contexts illustrated, from left to right: bathtub access side vertical stanchion (with a no-cost bonus of also serving as the newly required vertical stanchion for the WC).

At the center is another stanchion, this one color coordinated with its surrounds and the structural supports—to the vanity—color coordinated with it (while giving extra structural support to the stanchion). At the right, the satin stainless steel stanchion matches the décor of the shower enclosure and is discretely tucked into a recess while being accessible for both entering and exiting, stepping over the 4-inch sill below the shower door. Both of the stanchions at the center and right occupy the same bathroom and both contend with the 8-foot ceiling there (which has been tested to the 250-pound criterion—without any plastic deformation)



The photo at the left side demonstrates two options for a center tub-length stanchion, one affixed with RTV adhesive to a 60-year old enamel steel bathtub that has no problem with a test 330-pound, lateral load held for three hours. For newer, less rigid bathtub materials such as acrylic or fiberglass, manufacturers have raised a huge fuss over rim mounting of stanchions. They are easily appeased with the option of mounting on the adjacent floor—which is far more sturdy than the newer tubs are and has no issues with the RTV adhesive. Again, with many solid, well performing steel bathtubs currently installed, there is much scope for both the rim- and floor mounting options for securing stanchions in both new and existing bathrooms.

There was also some opposition—*quickly addressed*—from those concerned with the stanchion being in the way of some people with disabilities not being able to swing their fully extended legs over the tub rim when seated on a bathtub seat. Note that in the photo above, left side, there is barely room for such legs at the closely positioned WC which effectively blocks almost half the length of the tub. Notably the proposed language for A117 allows the vertical, access-side stanchion to be placed anywhere on or immediately adjacent to the entire length of the bathtub. Thus the stanchion can be placed where it suits a bather who desires to use a bathtub seat, etc. (BTW, the bathroom is totally inaccessible to a standard wheelchair and the 60-year old apartment building is not very accessible as well as being difficult to evacuate for those unable to use stairs.)



This augmented photo illustrates the possible dilemma over such vertical stanchion placement. Is it too close to the seat; is it too far from the seat (like the water controls are), or is it just right? The proposal is open to all options on this matter (keeping in mind the value of the stanchion also serving the water closet as set out in proposed new Section 604.12 in which the performance requirement of a 28-inch reach distance is utilized.) The 28 inches is based on a reachability analysis as well as being explained and illustrated in Appendix A to this proposal; a very large (200-plus) slide presentation. Note there is also a second vertical stanchion digitally added at the vanity side serving the water closet.

Finally—*almost*— at least for this supplementary “REASON” section of the proposal, a critical detail that, I hope will be accepted to no longer specify a fixed 1.5- inch clearance between a grab bar and the wall to which it is attached. Here follows the proposed change and below that is the experiment that was painfully executed in the course of addressing this matter empirically. The clearance in the photo sequence that follows was exactly 1.5 inches yet an older male adult’s hand could pass through, sustaining bruising to the back of the hand. Surely this issue of adding one word, “minimum” will be accepted as a similar change has been accepted on related topics. Moreover (recognizing Figures do not govern over requirements in text), A117-2017 has a Figure (609.3 on page 88) showing the 1.5-inch spacing as a minimum for a horizontal grab bar.

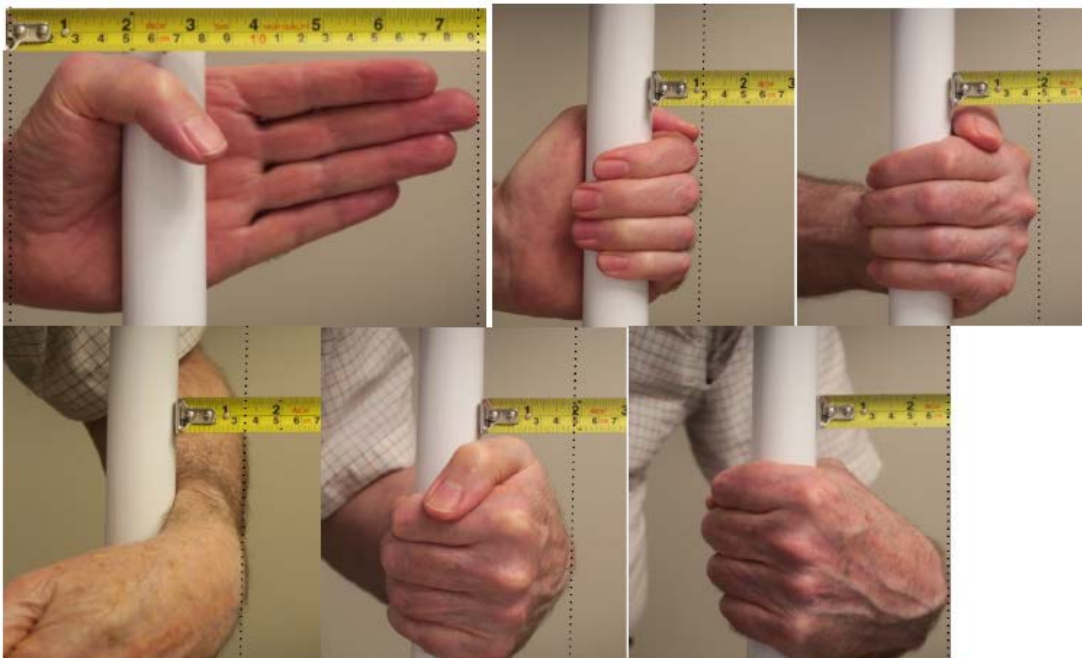
**609.3 Spacing.** The space between the wall and the grab bar or stanchion shall be 1 1/2 inches (38 mm) minimum. The space between the grab bar or stanchion and projecting objects below and at the ends of

the grab bar or stanchion shall be 1 1/2 inches (38 mm) minimum. The space between the grab bar or stanchion and projecting objects above the grab bar or stanchion shall be 12 inches (305 mm) minimum.



Finally, for more insights into the 1.5-inch clearance in 609.3, there is not just the risk of difficult-to-heal internal hand injuries with the current absolute 1.5-inch spacing, but also bruising and abrasions to one's knuckles. See the photos below.

Here follows a sequence of photographs taken of the proponent's hand size (of 7 1/2-inch, 190 mm length) and grasping a 1.3-inch (33 mm) diameter stanchion complete with a scale showing how much of the hand projects into the space that would be available with a wall surface nearby.



Clearly for hand sizes such as for an 80-year old US male (depicted here), the absolute spacing of 1.5 inches (38 mm), currently in the ANSI A117.1 standard needs to be reassessed if knuckle damage is to be prevented along with injuries to the thickest part—and very complex part—of the hand, at the base of the thumb. *For these areas of a large adult male hand, 1 3/4 inches (45 mm) would be an improved minimum and 2 inches would be even more prudent.* The most preferred option would consist of revising the (minimum) clearance, throughout 609.3 and 609.5 to 2 inches (51 mm) in which case it could be left as an absolute clearance—if that was still desired for some reason—for horizontal grab bars as well as the stipulated minimum clearance everywhere else.]

Thank you all.

Jake Pauls, BArch, CPE, HonDSc, PROPONENT OF PROPOSAL 06-13-2021

Web: [www.bldguse.com](http://www.bldguse.com)

Mobile: 301-706-8830

**Committee Action:** Tabled

**Notes 8-9-2022 and 8-25-2022:** Motion is AS

**Question divided:**

604 – AS 5-22-2/D 24-6-2

607 – AS 7-18-4/Motion to Disapprove;

Motion to table 17-9-2 till 8/25/2022 call

Motion to untable passed.

Motion to table part 2 to end of chapter 6 carries with 3 votes in opposition.

608 –

Modification to 608.9.1 and 608.9.3 passed 19-1-3

Motion to table parts 3 to end of chapter 6 carries with 1 vote in opposition

609 – Motion to table parts 4 to end of chapter 6 carries with 1 vote in opposition

**Modification (if any):**

**Divided question Item 3: *Modification passed 19-1-3***

**Further modify as follows:**

**608.9.1 At shower exterior.** A vertical grab bar or stanchion shall be provided outside of the shower compartment, adjacent to the access opening within ~~28 inches (710 mm)~~ 24 inches (610 mm) of the center of the shower entrance opening width. The grab bar or stanchion shall extend from 24 inches (610 mm) maximum to 60 inches (1524 mm) minimum, measured vertically above the finished floor.

**608.9.3 For larger shower interior.** For showers with any interior plan dimensions exceeding 51 inches (1295 mm), including diagonally between corners, a grab bar or stanchion located interior to the shower compartment shall be ~~28 inches (710 mm)~~ 24 inches (610 mm) maximum, measured horizontally to the access to the shower. If oriented vertically, the grab bar or stanchion shall extend from 24 inches (610 mm) maximum to 60 inches (1524 mm) minimum, measured vertically above the finished floor outside the shower. If oriented horizontally, the grab bar or stanchion shall have a length 36 inches (915mm) minimum at a height, measured vertically above the finished floor outside the shower, of 48 inches (1220 mm) minimum and 60 inches (1524 mm) maximum.

**Notes 8-25-2022:**

**Reason for modification:** The modification is based on anthropometric data for reach. The 28” is arm length, and the 24” would be to the center of the hand. This is a bar that is intended to be graspable and needs to be closer for stability reasons.

**Notes 12-15-2022:**

This proposal was split and tabled during the 8-25-2022 meeting. The proponent submitted a replacement proposal that was substantially different from the original proposal. Therefore, the actions taken on 8-25-2022 are void and the discussion will start over.

- 06-13-2021 Replacement: AM based on replacement modification; divided question



- Discussion begun on 12-15-2022
- Part 1 - Definition for 'stanchion' – AM 5-21-2; D 23-3-3
- Part 2 - Section 603 and 604; The chair ruled that the revision of Section 604.10 to 612 is out of order. This change is not included. AM 11-13-1; D 25-4-2

## SECTION 604 WATER CLOSETS AND TOILET COMPARTMENTS

**604.1 General.** Wheelchair accessible water closets and toilet compartments shall comply with Section 604. Compartments containing more than one plumbing fixture shall comply with Section 603. Wheelchair accessible compartments shall comply with Section 604.9. Ambulatory accessible compartments shall comply with Section ~~604.10~~ 612.

**Exception:** Water closets and toilet compartments primarily for children's use shall be permitted to comply with Section 604.11 as applicable.

- Part 3 – Section 609 –
  - The chair ruled that 609.2.2 change from 4.8 to 6.3 for grab bars is out of order and is therefore only applicable to stanchions.

**609.2.2 Noncircular cross section.** Grab bars and stanchions with a noncircular cross section shall have a cross section dimension of 2 inches (51 mm) maximum, and a perimeter dimension of 4 inches (100 mm) minimum and ~~4.8~~ 6.3 inches (120 160 mm) maximum. Corner radius shall be 1/4 inch (6 mm) minimum.

- Part 4 – Motion to hear Section 609.9 separated out from 609
- The item was tabled due to the discussion extending 45 minutes past the scheduled meeting time. Tabled 12-9-0

### Notes 1-5-2023:

- Removed from table at start of 1/5/2023 meeting - unanimous
- Part 3 – 609.1 through 609.8
  - Jake requested to remove from Section 609.2.2 change from 4.8 to 6.3. The chair ruled that this will be included as part of proposed modification.
  - Question was called at 1:28 p.m. – 6 against, motion passes
  - Part 3 – Section 609.1 through 609.8 - AM 4-26-3; D 24-6-2
- Part 4 – Section 609.9
  - Modification – strike 'and sealed' 24-0-1
  - Modification – see report for complete mod 22-2-3
  - Part 4 AM with 2 modifications - 26-1-4
- Part 5 – Section 612 –
  - Divided to consider conceptual vote of 612 and 612.1 (1<sup>st</sup> of 2 sections with this number) separately – AM 14-14-2; The chair votes in support to break tie
  - Discussed remainder by parts, 612.2, 612.3, 612.4 – no votes taken
  - Discussion will start again at the 1/19/2023 call with Section 612.5

### Notes 1-19-2023:

- Removed from table at start of 1/19/2023 meeting
- Part 6 –
  - Discussion of Section 612.5

- Two documents from Larry Schneider were sent out with the email for the general meeting reminder on Tuesday, Jan. 17.
  - Stanchions for A117.1\_LMS
  - Conflict between Grab bars NFPA vs Accessibility Model\_LMS
- Section 612.1 (2<sup>nd</sup> of 2 sections with this number) through 612.5.5 – AM 1-21-2; D 25-1-2

**Committee Action:** The committee voted on the replacement proposal, so the standing motion was AM

- Part 1 - Definition for ‘stanchion’ – AM 5-21-2; D 23-3-3
- Part 2 - Section 603 and 604 - AM 11-13-1; D 25-4-2
- Part 3 – Section 609.1 through 609.8 - AM 4-26-3; D 24-6-2
- Part 4 – Section 609.9 - AM with 2 modifications - 26-1-4
- Part 5 – Section 612 and 612.1 (Scope) –AM 15-14-2
- Section 612.1 (General) through 612.5.5 – AM 1-21-2; D 25-1-2

## REPORT OF HEARING:

### Modification (if any):

Part 4 - Further modify as follows:

**609.9 Durability in presence of water.** Grab bars and stanchions, including mountings, shall be installed ~~and sealed, to protect structural elements from or provided with permanent drainage for components subject to~~ water intrusion and moisture.

### Committee Reason:

#### Part 1 – definition of stanchion

The new definition was disapproved for the following reasons. The description is more about the purpose of the stanchion rather than a definition of what a stanchion is. The proposed language does not clearly define a difference between a grab bar and a stanchion – this could be read to apply to both.

#### Part 2 - Section 603 and 604

The chair ruled that the revision of the reference in Section 604.1 from Section 604.10 to 612 is out of order. This change is not included.

Part 2 was disapproved for the following reasons. The proposal to add ‘wheelchair accessible’ is incomplete – it revised only two sections. This is not an editorial change as indicated in notes in the proposal. This revision does not add clarity to the confusion between the new requirements proposed for ‘ambulatory accessible bathrooms’ and the current ‘ambulatory accessible compartments.’

#### Part 3 – Section 609.1 through 609.8

The chair ruled that 609.2.2 change from 4.8 to 6.3 for grab bars is out of order and is therefore only applicable to stanchions.

Jake requested to remove from Section 609.2.2 the change from 4.8 to 6.3. The chair ruled that this will be included as part of proposed modification.

Part 3 was disapproved for the following reasons. In Section 609.2.2, the ¼” edge for a grab bar or stanchion is greater than the 0.01” edge for handrails currently in the IBC that is based on studies provided by the Stairway Manufacturer’s Association. There was no justification provided for the significant difference. In Section 609.3, the ½” minimum gap proposed for behind the grab bar would be a conflict with the ADA. There is also a safety concern for persons that rest their forearm on top of the grab bar if the gap was larger.

In Section 609.5 the ¼” edge for surfaces would be confusing for wall surfaces such as tile. The justification provided for grasping of a bar does not translate to edges on surfaces behind a grab bar or stanchion. In Section 609.7, it is not clear what the exception is attempting to exempt you from in the main text.

**Part 4 – Section 609.9**

The intent of the modification was to provide performance language instead of prescriptive language to protect connections from failing. The second modification to remove “and sealed” was to coordinate with that intent, since ‘and sealed’ could be read to not allow drainage holes. There were concerns that adding “structural elements” could be read to apply only to the walls or floors and not the screws in the connections. Common failure is a mis-match of metal types between the screws and the grab bars, or the rusting of the screws holding the grab bars in place. If the proposal to add stanchions is disapproved, the removal of “and stanchions” would be referred to the editorial committee. The committee agreed with the original intent of the proposal – to reduce failure of the grab bar connections over time.

**Part 5 – Section 612 and 612.1 (Scope)**

Section 612.1 was acted on separately in order to determine the committee's desired direction on the remainder of the section. If disapproved, the proponent indicated the intent to move for disapproval of the remainder. The vote on the motion to approve 612 and 612.1 Scope was tied with the chair voting in favor of the motion to allow for complete discussion of the topic.

**Part 6 – 612.1 (General) through 612.5**

The proposal was disapproved.

While this proposal does not include scoping, the committee was reluctant to adopt these requirements without knowing where they would be scoped due to concerns that if this applied to units that are required to meet other accessibility standards, these grab bar locations would conflict with the requirements in other standards.

While specific methods of attachment of vertical stanchions are not specified, there were concerns that the attachment of the vertical stanchion to the edge of the bathtub could cause damage and/or affect the fixture's warranty. Regarding use of adhesives, it is not clear how one would document compliance with loading requirements and suitable adhesive type.

612.3 – There were concerns that the vertical stanchions at water closets would be an obstruction for persons trying to get to the water closet with a walker, cane or crutches. Swing up grab bars should also be considered as a possible option.

612.4 – There were concerns that vertical stanchion at bathtubs that comply with these location requirements could be an obstruction for persons who wanted to transfer to a bathing seat and/or parents trying to bath their children in the tub.

There were concerns that with a vertical stanchion on the edge of a tub, a shower curtain would not adequately contain water and may contribute to a slip and fall hazard on a wet floor.

The diagonal grab bars on the rear wall, if located with the front edge close to the wall, would place the diagonal bar close to the front of the tub. This is not consistent with the intent expressed in the examples in the reason statement.

612.5 – The requirements for the vertical grab bars and stanchions are stated in relation to the shower opening, but do not address fixtures with swinging or sliding doors.

604 et al-PAULS.doc

---

## 06-13 – 2021 Ballot Comments

### BALLOT COMMENT 1- FIRST DRAFT:

Proponent: <i>Sharon Toji, HLAA</i>
Desired Action: Negative with comment- <b>Part 1</b>
Modification:
Reason: These well-researched proposals are vital for people to wish to age in place. They should be given further considered and modification as necessary.
<b>BALLOT COMMENT 2- FIRST DRAFT:</b>
Proponent: <i>Jake Pauls</i>
Desired Action: Negative with comment- <b>Part 1</b>
Modification:
Reason: It was ICC staff that wanted the general language whereas I, as proponent, wanted to clearly separate the two types of “points of control” while also—for the benefit of those who do not know what “point of control” includes—providing such background. The definition could benefit from some more discussion within the Committee.
<b>BALLOT COMMENT 3- FIRST DRAFT:</b>
Proponent: <i>Sharon Toji, HLAA</i>
Desired Action: Negative with comment- <b>Part 2</b>
Modification:
Reason: These well-researched proposals are vital for people to wish to age in place. They should be given further considered and modification as necessary.
<b>BALLOT COMMENT 4- FIRST DRAFT:</b>
Proponent: <i>Jake Pauls</i>
Desired Action: Negative with comment- <b>Part 2</b>
Modification:
Reason: I agree with the criticism that the proposal was flawed by the lack of completeness in my effort to differentiate “wheelchair (non-ambulatory)” and “ambulatory” use. Perhaps in another lifetime this can be better handled.
<b>BALLOT COMMENT 5- FIRST DRAFT:</b>
Proponent: <i>Sharon Toji, HLAA</i>
Desired Action: Negative with comment- <b>Part 3</b>
Modification:
Reason: These well-researched proposals are vital for people to wish to age in place. They should be given further considered and modification as necessary.
<b>BALLOT COMMENT 6- FIRST DRAFT:</b>
Proponent: <i>Jake Pauls</i>
Desired Action: Negative with comment- <b>Part 3</b>
Modification:
Reason: If the A117 Committee really believes that A117 should follow a blatantly stupid criterion in only in the IBC, based on what industry (SMA) wanted, then I will deal with the danger to ones graspability elsewhere. The 100 <sup>th</sup> of an inch is increasingly sharp to older persons hands. Some knives have a less sharp edge. The committee should revisit this if it is really serious about graspability. Also, there is a typo in the disapproval reason; the “1/2” should be 1 ½ inch. Moreover, the grab bar spacing to a wall should not be based so strongly on one Committee Member’s justification based on resting ones arm on the grab bar. Most of ones arm will slip between a grab bar and a wall.

**BALLOT COMMENT 7- FIRST DRAFT:**

Proponent: *Jake Pauls*

Desired Action: Affirmative with comment-**Part 4**

Modification:

Reason: I am OK with the Modification, but disagree with some of the claims made in the Committee justification re. “Common failure is a mis-match of metal types....”

**BALLOT COMMENT 8 FIRST DRAFT:**

Proponent: *Daniel Dain, AIA*

Desired Action: Affirmative with comment-**Part 4**

Modification:

Reason: Acceptable with editorial removal of “and stanchions.”

**BALLOT COMMENT 9- FIRST DRAFT:**

Proponent: *Doug Anderson, AHFA*

Desired Action: Negative with comment-**Part 4**

Modification:

Reason: Not applicable as other parts were disapproved.

**BALLOT COMMENT 10- FIRST DRAFT:**

Proponent: *Kimberly Paarlberg, ICC*

Desired Action: Negative with comment-**Part 4**

Modification: See Ballot Comment 10

**BALLOT COMMENT 11- FIRST DRAFT:**

Proponent: *Brad Gaskins, NACS*

Desired Action: Negative with comment-**Part 4**

Modification:

Reason: Getting too complicated and not necessary.

**BALLOT COMMENT 12- FIRST DRAFT:**

Proponent: *Daniel Buuck, NAHB*

Desired Action: Affirmative with comment-**Part 4**

Modification:

Reason: See the Public Comment from NAHB.

**BALLOT COMMENT 13- FIRST DRAFT:**

Proponent: *Jake Pauls*

Desired Action: Affirmative with comment-**Part 5**

Modification:

Reason: With my modification of the original proposal—or at least what is left of it with the “Approval”—the topic is more prepared for “primetime” by referring to existing, well-established criteria for provision of “points of control” (stanchions and grab bars) for most bathtubs and showers in the ANSI-approved standard, NFPA 101 which, now, has three editions addressing this topic.

**BALLOT COMMENT 14- FIRST DRAFT:**

Proponent: *Daniel Dain, AIA*

Desired Action: Negative with comment-**Part 5**

Modification:
Reason: Does not seem appropriate to introduce a new section plus a new undefined word “stanchion” without the balance of the requirements. Need to resolve the entirety of the section.
<b>BALLOT COMMENT 15- FIRST DRAFT:</b>
Proponent: <i>Rex Pace, HUD</i>
Desired Action: Negative with comment- <b>Part 5</b>
Modification:
Reason: As none of the related proposal in regard to “stanchions” was passed, this change is not necessary and could be confusing. Recommend that editorial committee address.
<b>BALLOT COMMENT 16- FIRST DRAFT:</b>
Proponent: <i>Kimberly Paarlberg, ICC</i>
Desired Action: Negative with comment- <b>Part 5</b>
Modification: See Ballot Comment 16
<b>BALLOT COMMENT 17- FIRST DRAFT:</b>
Proponent: <i>Daniel Buuck, NAHB</i>
Desired Action: Affirmative with comment- <b>Part 5</b>
Modification:
Reason: Creating a section for ambulatory accessible features only makes sense if the applicable requirements are located there. If that does not happen, the new section should be removed.
<b>BALLOT COMMENT 18- FIRST DRAFT:</b>
Proponent: <i>Kyle Thompson, PMI</i>
Desired Action: Negative with comment- <b>Part 5</b>
Modification:
Reason: The scope that was approved by the committee under Part 5 no longer has any place in the A117.1 standard. Part 5 was presented as an idea. To determine if the committee members approved of the idea of including text for Ambulatory accessible fixtures. However, the substance of the proposals which were in Parts 1-3 and 6 were disapproved.
<b>BALLOT COMMENT 19- FIRST DRAFT:</b>
Proponent: <i>Doug Anderson, AHFA</i>
Desired Action: Negative with comment- <b>Part 5</b>
Modification:
Reason: Not applicable as other parts were disapproved..
<b>BALLOT COMMENT 20- FIRST DRAFT:</b>
Proponent: <i>Brad Gaskins, NACS</i>
Desired Action: Negative with comment- <b>Part 5</b>
Modification:
Reason: Getting too complicated and not necessary..
<b>BALLOT COMMENT 21- FIRST DRAFT:</b>
Proponent: <i>Sharon Toji, HLAA</i>
Desired Action: Negative with comment- <b>Part 6</b>
Modification:

Reason: These well-researched proposals are vital for people to wish to age in place. They should be given further considered and modification as necessary.

**BALLOT COMMENT 22- FIRST DRAFT:**

Proponent: *Jake Pauls*

Desired Action: Negative with comment-**Part 6**

Modification:

Reason: With my modification proposed, my disapproval of what the Committee failed to do is less serious. Referencing a pertinent ANSI-approved standard for the details on bathtubs and showers fixes a big deficit in A117.1 now, IF the committee acts reasonably on my accompanying Public Comment to add the reference to NFPA 101 for bathtubs and showers as well as adopting the details I provide for a modest package of new detailed requirements for toilets within A117.1. If the Committee fails to adopt the modest requirements I propose for toilets in my Public Comment; I will work on deleting the new requirement I had proposed (with adoption, for the NFPA 101-2024 edition) by the NFPA 101 Committee that we should refer the subject of toilets to new A117.1 requirements. The A117 Committee can beef up the requirements in my Public Comment if that will help to complete action within ANSI-approved documents. Right now, I have emphasized stanchions as the best way of serving ambulatory users of toilets. Vertical and horizontal grab bars at toilets have implementation and use issues “above my pay grade” to solve.

Generally, I urge the Committee to put some effort into addressing my Public Comment accompanying these Ballot comments. Otherwise the whole matter of ambulatory accessible features needed for bathroom facilities will be addressed in other ANSI-approved standards even to a greater extent than is now the case (paralleling what has happened with stairway requirements where A117.1 followed the precedents in NFPA 101).

---

## 06-13 – 2021 Public Comment 1

### All Parts

#### 106.2.14 (New), 612 (New)

**Proponent:** Jake Pauls, Jake Pauls Consulting Service, representing self

**Replace entire proposal and revise follows:**

#### SECTION 612.

#### AMBULATORY ACCESSIBLE TOILETS, BATHTUBS AND SHOWER COMPARTMENTS

**612.1 Scope.** Ambulatory accessible toilets, bathtubs and shower compartments shall comply with Section 612.

**612.2 Ambulatory accessible toilets not in compartments complying with Section 604.10.** Ambulatory accessible toilets shall be provided with grab bars or stanchions complying with Section 612.2, where all location dimensions are to the centerline of the grab bar or stanchion, and with Section 609 for dimensions and other requirements.

**Exception.** Clearances between stanchion grasp surfaces and other surfaces shall be 1 1/2 inches (38 mm) minimum.

**612.2.1 Number and location of vertical grab bars and stanchions.** Each side of the toilet shall have a vertical stanchion or vertical grab bar within a 24-inch (610 mm) horizontal distance from, and in front of, the center of the front lip of the toilet bowl. Each vertical stanchion and vertical grab bar shall provide for hand graspability at the minimum length and minimum height above the floor specified in Section 604.5.1.2 or 604.2.3.

**612.2.2 Shared use of a stanchion or grab bar also serving a bathtub or shower.** A grab bar or stanchion complying with Section 612.3, shall be permitted to also serve a toilet if it is suitably adjacent by virtue of also complying with Section 612.2.1.

**612.3. Ambulatory accessible bathtubs and shower compartments.** Ambulatory accessible bathtubs and shower compartments shall comply with NFPA 101, Chapter 24 requirements for “Grab Bars and Stanchions for Bathtubs, Bathtub-Shower Combinations, and Showers.”

## SECTION 106 REFERENCED DOCUMENTS

**106.2.14 Lift Safety Code.** NFPA 101-2024 Life Safety Code (National Fire Protection Association, 1 Batterymarch Park, Quincy, MA 02269-9101).

---

**REASON:** Other ANSI standards (e.g., from NFPA) have permitted stanchions where, formerly (before 2018) only conventional grab bars would have been permitted to meet requirements of an ANSI standard covering bathroom facility usability and/or safety. Also, the 2024 edition of NFPA 101, a longstanding ANSI standard, addresses usability and safety of bathtubs and showers completely enough to serve as a reference standard for A117.1 in relation to ambulatory accessibility uses. For toilet usability and safety for ambulatory users, the 2024 edition of NFPA 101 (and NFPA 5000) references A117.1 for toilets. Thus, while it is good ANSI protocol for NFPA 101 to reference A117.1 for toilets, this also means that A117.1 must provide a suitable set of requirements for ambulatory accessibility (and usability) of toilets anticipated with NFPA’s referral to A117.1 in its 2024 editions of NFPA 101 and NFPA 5000. If A117.1 does not provide a satisfactory set of requirements for ambulatory accessible toilets, including those not in compartments currently addressed by A117.1, NFPA’s edition after 2024 will need some work to provide what A117.1 does not address.

Regarding substantiation, there has been very ample substantiation already provided with my proposal **06-13-21** and, if A117 Committee members wish to see even more substantiation now, the official NFPA representative on the A117 Committee can be approached to see if, and how, the copyright proposals, Committee actions, and NFPA 101/5000 requirements plus related Annex information, can be shared with the A117 Committee. The copyright issues this involves are “above my pay grade” although this might allow me to provide at least a listing of the relevant section numbers of the NFPA documents including those having extensive, related Annex notes.

All I will add at this time is that, over a period of a few decades—even longer than my role on the A117 Committee, NFPA 101 committees have increasingly addressed safety and usability issues that arise in the course of nonemergency occupant movement within buildings and facilities. In the case of bathroom-related injury incidents, fire service personnel are often called on to provide first responses to the injury scene which, in the case of modest home bathrooms, can involve injured persons falling in such a way as to block—*significantly*—the opening, to a compact bathroom, of its usually single, in-swinging, access door. Thus it is not surprising that NFPA 101 and 5000 have taken a lead on the subject of bathroom facility usability as well as safety of ambulatory users who fall and sustain serious injuries in all conditions of use.



---

**Committee Action of Public comment 1:**

**REPORT OF HEARING:**

**Modification (if any):**

**Committee Reason:**

**06-13 Pauls.doc**

---

**06-13 – 2021 Ballot Comment 10**

**Part 4**

**609.9**

**Proponent: Kimberly Paarlberg, ICC**

**Further revise as follows:**

**609.9 Durability in presence of water.** Grab ~~bar bars and stanchions, including~~ mountings, shall be installed to protect structural elements from water intrusion and moisture.

---

**REASON:** Requirements for stanchions did not get approved, so they should not be in a section for grab bars. The language to ‘protect structural elements’ would be consistent with IBC 1201.2.1.2.

---

**Committee Action for Ballont Comment 10:**

**REPORT OF HEARING:**

**Modification (if any):**

**Committee Reason:**

**06-13 Paarlberg.doc**

---

**06-13 – 2021 Public Comment 2**

**Part 4**

**609.9**

**Proponent: Dan Buuck, National Association of Home Builders (NAHB)**

**Further revise as follows:**

**SECTION 609  
GRAB BARS**

**609.9 Durability in presence of water.** ~~Grab bars and stanchions, including mountings, shall be installed to protect structural elements from water intrusion and moisture. All components of grab bars shall be designed and installed to not collect or hold moisture, and the mounting shall be designed and installed to protect against water intrusion into the grab bars, fasteners, mounting components and building cavities. Fasteners shall be of a material compatible with the grab bar mounting components.~~

---

**REASON:** As written this section could allow the ends of grab bar mountings to be sealed to the wall in a way that could then collect and hold moisture, causing corrosion to the grab bar mounting hardware or sanitation concerns. This change is intended to provide guidance while mounting a grab bar so it doesn't allow water into the wall structure. It also shouldn't create a situation where water can be captured, such as under an escutcheon, where corrosion could occur or issues with sanitation are possible. The second sentence is intended to prohibit the use of fasteners of dissimilar metals which can cause corrosion.

---

**Committee Action for Public Comment 2:**

**REPORT OF HEARING:**

**Modification (if any):**

**Committee Reason:**

06-13 Buuck.doc

---

**06-13 – 2021 Ballot Comment 16**

**Part 5**

**612, 612.1**

**Proponent: Kimberly Paarlberg, ICC**

**Further revise as follows:**

~~SECTION 612~~

~~AMBULATORY ACCESSIBLE TOILETS, BATHTUBS AND SHOWER COMPARTMENTS~~

~~612.1 Scope. Ambulatory accessible toilets, bathtubs and shower compartments shall comply with Section 612.~~

---

**REASON:** The proposal as a whole was disapproved, so a general section does not include requirements, would be confusing and should be deleted.

---

**Committee Action for Ballont Comment 16:**

**REPORT OF HEARING:**

**Modification (if any):**

**Committee Reason:**

**Committee Action for First Ballot:**

**REPORT OF HEARING:**

**Modification (if any):**

**Committee Reason:**

<b>Report for 06-13– 2021</b>		
<b>Committee decision:</b>	<b>Committee Vote at Meeting: See notes in first column</b>	<b>Committee Vote on Ballot: 33-10-2</b>
<p>The committee voted on the replacement proposal, so the standing motion was AM</p> <ul style="list-style-type: none"> <li>• Part 1 - Definition for 'stanchion' D 23-3-3</li> <li>• Part 2 - Section 603 and 604 - D 25-4-2</li> <li>• Part 3 – Section 609.1 through 609.8 - D 24-6-2</li> <li>• Part 4 – Section 609.9 - AM with 2 modifications - 26-1-4</li> <li>• Part 5 – Section 612 and 612.1 (Scope) –AM 15-14-2</li> <li>• Section 612.1 (General) through 612.5.5 –D 25-1-2</li> </ul>		
<p><b>REPORT OF HEARING:</b> Modification (if any): Part 4 - Further modify as follows:</p> <p><b>609.9 Durability in presence of water.</b> Grab bars and stanchions, including mountings, shall be installed <del>and sealed, to protect structural elements from or provided with permanent drainage for</del> components subject to water intrusion and moisture.</p> <p>Committee Reason:</p> <p><b>Part 1 – definition of stanchion</b> The new definition was disapproved for the following reasons. The description is more about the purpose of the stanchion rather than a definition of what a stanchion is. The proposed language does not clearly define a difference between a grab bar and a stanchion – this could be read to apply to both.</p> <p><b>Part 2 - Section 603 and 604</b> The chair ruled that the revision of the reference in Section 604.1 from Section 604.10 to 612 is out of order. This change is not included. Part 2 was disapproved for the following reasons. The proposal to add 'wheelchair accessible' is incomplete – it revised only two sections. This is not an editorial change as indicated in notes in the proposal. This revision does not add clarity to the confusion between the new requirements proposed for 'ambulatory accessible bathrooms' and the current 'ambulatory accessible compartments.'</p> <p><b>Part 3 – Section 609.1 through 609.8</b> The chair ruled that 609.2.2 change from 4.8 to 6.3 for grab bars is out of order and is therefore only applicable to stanchions. Jake requested to remove from Section 609.2.2 the change from 4.8 to 6.3. The chair ruled that this will be included as part of proposed modification. Part 3 was disapproved for the following reasons. In Section 609.2.2, the ¼" edge for a grab bar or stanchion is greater than the 0.01" edge for handrails currently in the IBC that is based on studies provided by the Stairway Manufacturer's Association. There was no justification provided for the significant difference. In Section 609.3, the ½" minimum gap proposed for behind the grab bar would be a conflict with the ADA. There is also a safety concern for persons that rest their forearm on top of the grab bar if the gap was larger. In Section 609.5 the ¼" edge for surfaces would be confusing for wall surfaces such as tile. The justification provided for grasping of a bar does not translate to edges on surfaces behind a grab bar or stanchion. In Section 609.7, it is not clear what the exception is attempting to exempt you from in the main text.</p> <p><b>Part 4 – Section 609.9</b> The intent of the modification was to provide performance language instead of prescriptive language to protect connections from failing. The second modification to remove "and sealed" was to coordinate with that intent, since 'and sealed' could be read to not allow drainage holes. There were concerns that adding "structural elements" could be read to apply only to the walls or floors and not the screws in the connections. Common failure is a mis-match of metal types between the screws and the grab bars, or the rusting of the screws holding the grab bars in place. If the proposal to add stanchions is disapproved, the removal of "and stanchions" would be referred to the editorial committee. The committee agreed with the original intent of the proposal – to reduce failure of the grab bar connections over time.</p> <p><b>Part 5 – Section 612 and 612.1 (Scope)</b> Section 612.1 was acted on separately in order to determine the committee's desired direction on the remainder of the section. If disapproved, the proponent indicated the intent to move for disapproval of the remainder. The vote on the motion to approve 612 and 612.1 Scope was tied with the chair voting in favor of the motion to allow for complete discussion of the topic.</p>		

## Report for 06-13– 2021

### Part 6 – 612.1 (General) through 612.5

The proposal was disapproved.

While this proposal does not include scoping, the committee was reluctant to adopt these requirements without knowing where they would be scoped due to concerns that if this applied to units that are required to meet other accessibility standards, these grab bar locations would conflict with the requirements in other standards.

While specific methods of attachment of vertical stanchions are not specified, there were concerns that the attachment of the vertical stanchion to the edge of the bathtub could cause damage and/or affect the fixture's warranty. Regarding use of adhesives, it is not clear how one would document compliance with loading requirements and suitable adhesive type.

612.3 – There were concerns that the vertical stanchions at water closets would be an obstruction for persons trying to get to the water closet with a walker, cane or crutches. Swing up grab bars should also be considered as a possible option.

612.4 – There were concerns that vertical stanchion at bathtubs that comply with these location requirements could be an obstruction for persons who wanted to transfer to a bathing seat and/or parents trying to bath their children in the tub.

There were concerns that with a vertical stanchion on the edge of a tub, a shower curtain would not adequately contain water and may contribute to a slip and fall hazard on a wet floor.

The diagonal grab bars on the rear wall, if located with the front edge close to the wall, would place the diagonal bar close to the front of the tub. This is not consistent with the intent expressed in the examples in the reason statement.

612.5 – The requirements for the vertical grab bars and stanchions are stated in relation to the shower opening, but do not address fixtures with swinging or sliding doors.

### BALLOT COMMENT 1- FIRST DRAFT:

Proponent: *Sharon Toji, HLAA*

Desired Action: Negative with comment-Part 1

Modification:

Reason: These well-researched proposals are vital for people to wish to age in place. They should be given further considered and modification as necessary.

### BALLOT COMMENT 2- FIRST DRAFT:

Proponent: *Jake Pauls*

Desired Action: Negative with comment-Part 1

Modification:

Reason: It was ICC staff that wanted the general language whereas I, as proponent, wanted to clearly separate the two types of "points of control" while also—for the benefit of those who do not know what "point of control" includes—providing such background. The definition could benefit from some more discussion within the Committee.

### BALLOT COMMENT 3- FIRST DRAFT:

Proponent: *Sharon Toji, HLAA*

Desired Action: Negative with comment-Part 2

Modification:

Reason: These well-researched proposals are vital for people to wish to age in place. They should be given further considered and modification as necessary.

### BALLOT COMMENT 4- FIRST DRAFT:

Proponent: *Jake Pauls*

Desired Action: Negative with comment-Part 2

Modification:

Reason: I agree with the criticism that the proposal was flawed by the lack of completeness in my effort to differentiate "wheelchair (non-ambulatory)" and "ambulatory" use. Perhaps in another lifetime this can be better handled.

### BALLOT COMMENT 5- FIRST DRAFT:

Proponent: *Sharon Toji, HLAA*

Desired Action: Negative with comment-Part 3

Modification:

Reason: These well-researched proposals are vital for people to wish to age in place. They should be given further considered and modification as necessary.

### BALLOT COMMENT 6- FIRST DRAFT:

Proponent: *Jake Pauls*

Desired Action: Negative with comment-Part 3

Modification:

Reason: If the A117 Committee really believes that A117 should follow a blatantly stupid criterion in only in the IBC, based on what industry (SMA) wanted, then I will deal with the danger to ones graspability elsewhere. The 100<sup>th</sup> of an inch is increasingly sharp to older persons hands. Some knives have a less sharp edge. The committee should revisit this if it is really serious about graspability. Also, there is a typo in the disapproval reason; the "1/2" should be 1 ½ inch. Moreover, the grab bar spacing to a wall should not be based so strongly on one Committee Member's justification based on resting ones arm on the grab bar. Most of ones arm will slip between a grab bar and a wall.

### BALLOT COMMENT 7- FIRST DRAFT:

Proponent: *Jake Pauls*

Desired Action: Affirmative with comment-Part 4

Modification:

**Report for 06-13– 2021**

Reason: I am OK with the Modification, but disagree with some of the claims made in the Committee justification re. "Common failure is a mis-match of metal types...."

**BALLOT COMMENT 8 FIRST DRAFT:**

Proponent: *Daniel Dain, AIA*

Desired Action: Affirmative with comment-**Part 4**

Modification:

Reason: Acceptable with editorial removal of "and stanchions."

**BALLOT COMMENT 9- FIRST DRAFT:**

Proponent: *Doug Anderson, AHLA*

Desired Action: Negative with comment-**Part 4**

Modification:

Reason: Not applicable as other parts were disapproved.

**BALLOT COMMENT 10- FIRST DRAFT:**

Proponent: *Kimberly Paarlberg, ICC*

Desired Action: Negative with comment-**Part 4**

Modification:

**Further revise as follows:**

**609.9 Durability in presence of water.** Grab bars and stanchions, including mountings, shall be installed to protect structural elements from water intrusion and moisture.

Reason: Requirements for stanchions did not get approved, so they should not be in a section for grab bars. The language to 'protect structural elements' would be consistent with IBC 1201.2.1.2.

**BALLOT COMMENT 11- FIRST DRAFT:**

Proponent: *Brad Gaskins, NACS*

Desired Action: Negative with comment-**Part 4**

Modification:

Reason: Getting too complicated and not necessary.

**BALLOT COMMENT 12- FIRST DRAFT:**

Proponent: *Daniel Buuck, NAHB*

Desired Action: Affirmative with comment-**Part 4**

Modification:

Reason: See the PUBLIC COMMENT from NAHB.

**BALLOT COMMENT 13- FIRST DRAFT:**

Proponent: *Jake Pauls*

Desired Action: Affirmative with comment-**Part 5**

Modification:

Reason: With my modification of the original proposal—or at least what is left of it with the "Approval"—the topic is more prepared for "primetime" by referring to existing, well-established criteria for provision of "points of control" (stanchions and grab bars) for most bathtubs and showers in the ANSI-approved standard, NFPA 101 which, now, has three editions addressing this topic.

**BALLOT COMMENT 14- FIRST DRAFT:**

Proponent: *Daniel Dain, AIA*

Desired Action: Negative with comment-**Part 5**

Modification:

Reason: Does not seem appropriate to introduce a new section plus a new undefined word "stanchion" without the balance of the requirements. Need to resolve the entirety of the section.

**BALLOT COMMENT 15- FIRST DRAFT:**

Proponent: *Rex Pace, HUD*

Desired Action: Negative with comment-**Part 5**

Modification:

Reason: As none of the related proposal in regard to "stanchions" was passed, this change is not necessary and could be confusing. Recommend that editorial committee address.

**BALLOT COMMENT 16- FIRST DRAFT:**

Proponent: *Kimberly Paarlberg, ICC*

Desired Action: Negative with comment-**Part 5**

Modification:

**Further revise as follows:**

SECTION 612

AMBULATORY ACCESSIBLE TOILETS, BATHTUBS AND SHOWER COMPARTMENTS

612.1 Scope. Ambulatory accessible toilets, bathtubs and shower compartments shall comply with Section 612.

Reason: The proposal as a whole was disapproved, so a general section does not include requirements, would be confusing and should be deleted..

**Report for 06-13– 2021****BALLOT COMMENT 17- FIRST DRAFT:**Proponent: *Daniel Buuck, NAHB*Desired Action: Affirmative with comment-**Part 5**

Modification:

Reason: Creating a section for ambulatory accessible features only makes sense if the applicable requirements are located there. If that does not happen, the new section should be removed.

**BALLOT COMMENT 18- FIRST DRAFT:**Proponent: *Kyle Thompson, PMI*Desired Action: Negative with comment-**Part 5**

Modification:

Reason: The scope that was approved by the committee under Part 5 no longer has any place in the A117.1 standard. Part 5 was presented as an idea. To determine if the committee members approved of the idea of including text for Ambulatory accessible fixtures. However, the substance of the proposals which were in Parts 1-3 and 6 were disapproved.

**BALLOT COMMENT 19- FIRST DRAFT:**Proponent: *Doug Anderson, AHLA*Desired Action: Negative with comment-**Part 5**

Modification:

Reason: Not applicable as other parts were disapproved..

**BALLOT COMMENT 20- FIRST DRAFT:**Proponent: *Brad Gaskins, NACS*Desired Action: Negative with comment-**Part 5**

Modification:

Reason: Getting too complicated and not necessary..

**BALLOT COMMENT 21- FIRST DRAFT:**Proponent: *Sharon Toji, HLAA*Desired Action: Negative with comment-**Part 6**

Modification:

Reason: These well-researched proposals are vital for people to wish to age in place. They should be given further considered and modification as necessary.

**BALLOT COMMENT 22- FIRST DRAFT:**Proponent: *Jake Pauls*Desired Action: Negative with comment-**Part 6**

Modification:

Reason: With my modification proposed, my disapproval of what the Committee failed to do is less serious. Referencing a pertinent ANSI-approved standard for the details on bathtubs and showers fixes a big deficit in A117.1 now, IF the committee acts reasonably on my accompanying Public Comment to add the reference to NFPA 101 for bathtubs and showers as well as adopting the details I provide for a modest package of new detailed requirements for toilets within A117.1. If the Committee fails to adopt the modest requirements I propose for toilets in my Public Comment; I will work on deleting the new requirement I had proposed (with adoption, for the NFPA 101-2024 edition) by the NFPA 101 Committee that we should refer the subject of toilets to new A117.1 requirements. The A117 Committee can beef up the requirements in my Public Comment if that will help to complete action within ANSI-approved documents. Right now, I have emphasized stanchions as the best way of serving ambulatory users of toilets. Vertical and horizontal grab bars at toilets have implementation and use issues "above my pay grade" to solve.

Generally, I urge the Committee to put some effort into addressing my Public Comment accompanying these Ballot comments. Otherwise the whole matter of ambulatory accessible features needed for bathroom facilities will be addressed in other ANSI-approved standards even to a greater extent than is now the case (paralleling what has happened with stairway requirements where A117.1 followed the precedents in NFPA 101).

**Committee decision: AS/AM/D****Committee Vote at Meeting:****Committee Vote on Ballot:****REPORT OF HEARING – FIRST DRAFT**

Modification (if any):

Committee Reason:

**BALLOT COMMENT- SECOND DRAFT:**

Proponent:

Desired Action:

Modification:

Reason:

**Committee decision: AS/AM/D****Committee Vote at Meeting:****Committee Vote on Ballot:****FINAL ACTION:**

Modification (if any):

Committee Reason:

## 06-15 – 2021 overview

Proposal number	Proponent	Standard Sections	Committee Actions	Mtg. Date	Notes; Groups; groupings
06-15	Mazz	604.3.3	AM 29-3-1	9-8-2022	

Comment	Proponent	Requested Action	Committee Action	Mtg. Date	Notes; Groups; groupings
<b>BC1</b>	Dain, AIA	Affirmative			
PC1	Terminology	AM			Editorial

BC= Ballot Comment, PC= Public comment, **Bold Comment number** is proposed revision below

## 06-15 – 2021

### 604.3.3

**Proponent:** Marsha Mazz, representing United Spinal Association

**Revise as follows:**

#### SECTION 604 WATER CLOSETS AND TOILET COMPARTMENTS

#### 604.3 Clearance.

**604.3.3 Clearance overlap.** The required clearance around the water closet shall be permitted to overlap the water closet, associated grab bars, ~~paper dispensers, sanitary napkin receptacles, coat hooks, shelves,~~ accessible routes, clear floor space at other fixtures and the turning space. In addition, paper dispensers, trash receptacles, coat hooks, and shelves shall be permitted to overlap 4 inches (100 mm) maximum into the water closet clearance. No other fixtures or obstructions shall be located within the required water closet clearance.

---

**REASON:** In our inspections, Accessibility Services has observed that very large paper dispensers, trash receptacles, coat hooks, and shelves often obstruct access to the water closet and also can interfere with the legs of a person seated on the water closet. We believe that if these elements are to be permitted in the clearance, a 4-inch overlap should be sufficient to accommodate them – anything more is a potential obstruction limiting access to the water closet and reducing the maneuvering space around it.

We replace the term “sanitary napkin receptacles” with “trash receptacles” so that they are not prohibited in the water closet clearance in toilet rooms for men.

**Committee Action:** As Modified 29-3-1

#### **REPORT OF HEARING:**

**Modification (if any):**

**Further modify as follows:**

**604.3.3 Clearance overlap.** The required clearance around the water closet shall be permitted to overlap the water closet, associated grab bars, accessible routes, clear floor space at other fixtures and the turning space. In addition, paper dispensers, trash receptacles, coat hooks, and shelves shall be permitted to overlap ~~4~~6 inches

(~~100-150~~ mm) maximum into the water closet clearance. No other fixtures or obstructions shall be located within the required water closet clearance.

**Committee Reason:** The modification from 4” to 6” was to allow for standard paper rolls and their dispensers – 4” would be too tight. The proposal will provide a limit on the possible obstructions caused by these elements within the clear floor space for a water closet.

604.3.3-MAZZ.doc

## 06-15 – 2021 Ballot Comments

BALLOT COMMENT 1- FIRST DRAFT:	
Proponent:	<i>Daniel Dain, AIA</i>
Desired Action:	Affirmative with comment
Modification:	See Ballot Comment 1

### 06-15 – 2021 Ballot Comment 1

#### 604.3.3

**Proponent:** Daniel Dain, AIA

**Further modify the proposal:**

**604.3.3 Clearance overlap.** ~~The required clearance around the water closet shall be permitted to overlap~~ The water closet, associated grab bars, accessible routes, clear floor space at other fixtures and the turning space ~~shall be permitted to overlap the water closet clearance.~~ . ~~In addition,~~ Paper dispensers, trash receptacles, coat hooks, and ~~open or closed~~ shelves, ~~medical and security alert devices~~ shall be permitted to overlap 6 inches (150 mm) maximum into the water closet clearance. No other fixtures or obstructions shall be permitted to overlap the required water closet clearance.

**REASON:** None

**Committee Action for Ballot Comment 1:**

**REPORT OF HEARING:**

**Modification (if any):**

**Committee Reason:**

05-16 Dain.doc

### 06-15 – 2021 Public Comment 1

#### 602.4.3.3



**Proponent:** Marsha Mazz, representing the Terminology Task Group

**Further revise as follows:**

**SECTION 604  
WATER CLOSETS AND TOILET COMPARTMENTS**

**604.3.3 Maneuvering Clearance overlap.** The required maneuvering clearance around the water closet shall be permitted to overlap the water closet, associated grab bars, accessible routes, clear floor space at other fixtures and the turning space. In addition, paper dispensers, trash receptacles, coat hooks, ~~and~~ shelves shall be permitted to overlap 6 inches (150 mm) maximum into the ~~water closet maneuvering clearance around the water closet~~. No other fixtures or obstructions shall be located within the required ~~water closet maneuvering~~ clearance around the water closets.

---

**REASON:** This is part of a proposal from the Terminology task group to define the building blocks so that a reference is not required. This public comment is included here because it was part of new text. Please see the complete proposal for additional information.

---

**Committee Action for Public Comment 1:**

**REPORT OF HEARING:**

**Modification (if any):**

**Committee Reason:**

06-15 Terminology.doc

---

**Committee Action for First Ballot:**

**REPORT OF HEARING:**

**Modification (if any):**

**Committee Reason:**

Report for 06-15- 2021		
Committee decision: AM	Committee Vote at Meeting: 29-3-1	Committee Vote on Ballot:39-1-1
<b>REPORT OF HEARING:</b> Modification (if any): <b>Further modify as follows:</b> <b>604.3.3 Clearance overlap.</b> The required clearance around the water closet shall be permitted to overlap the water closet, associated grab bars, accessible routes, clear floor space at other fixtures and the turning space. In addition, paper dispensers, trash receptacles, coat hooks, and shelves shall be permitted to overlap <u>4-6</u> inches ( <del>100</del> <u>150</u> mm) maximum into the water closet clearance. No other fixtures or obstructions shall be located within the required water closet clearance.		
Committee Reason: The modification from 4" to 6" was to allow for standard paper rolls and their dispensers – 4" would be too tight. The proposal will provide a limit on the possible obstructions caused by these elements within the clear floor space for a water closet.		
<b>BALLOT COMMENT 1- FIRST DRAFT:</b> Proponent: <i>Daniel Dain, AIA</i>		

**Report for 06-15– 2021**

Desired Action: Affirmative with comment

Modification:

**Further modify the proposal:**

**604.3.3 Clearance overlap.** The required clearance around the water closet shall be permitted to overlap The water closet, associated grab bars, accessible routes, clear floor space at other fixtures and the turning space shall be permitted to overlap the water closet clearance. . In addition, Paper dispensers, trash receptacles, coat hooks, and open or closed shelves, medical and security alert devices shall be permitted to overlap 6 inches (150 mm) maximum into the water closet clearance. No other fixtures or obstructions shall be permitted to overlap the required water closet clearance.

Reason:

**Committee decision: AS/AM/D**

**Committee Vote at Meeting:**

**Committee Vote on Ballot:**

**REPORT OF HEARING – FIRST DRAFT**

Modification (if any):

Committee Reason:

**BALLOT COMMENT- SECOND DRAFT:**

Proponent:

Desired Action:

Modification:

Reason:

**Committee decision: AS/AM/D**

**Committee Vote at Meeting:**

**Committee Vote on Ballot:**

**FINAL ACTION:**

Modification (if any):

Committee Reason:

## 06-16 – 2021 overview

Proposal number	Proponent	Standard Sections	Committee Actions	Mtg. Date	Notes; Groups; groupings
06-16	Boecker	604.3.3	AS 26-3-2	9-8-2022	

Comment	Proponent	Requested Action	Committee Action	Mtg. Date	Notes; Groups; groupings
BC1	Buuck, NAHB	Affirmative			

BC= Ballot Comment, PC= Public comment, **Bold Comment number** is proposed revision below

## 06-16 – 2021 604.3.3

**Proponent:** Gene Boecker, Code Consultants, Inc.

**Revise as follows:**

### SECTION 604 WATER CLOSETS AND TOILET COMPARTMENTS

#### 604.3 Clearance.

**604.3.3 Clearance overlap.** The required clearance around the water closet shall be permitted to overlap the water closet, associated grab bars, paper dispensers, sanitary napkin receptacles, coat hooks, open or enclosed shelves, medical and security alert devices, accessible routes, clear floor space at other fixtures and the turning space. No other fixtures or obstructions shall be within the required water closet clearance.

---

**REASON:** Two additional notations need to be included in the list.

First, there should be no difference between an open shelf and an enclosed shelf like that of a wall cabinet. This has been interpretive in the past but should be clear. The depth of such shelves is not addressed. Perhaps the committee should include some limitation of the depth of the shelf or location so that it is not an obstruction.

Second, in medical care facilities such as hospitals, nursing homes and rehabilitation centers, it is common to have a pull cord and alert device next to the water closet. These are also provided in assisted living facilities and many large retail stores. These devices, due to their nature have typically not been an issue with enforcement agencies. However, occasionally we have seen these be forced out of the clear floor space and a series of strings and pulleys be required in its place, making its use complicated and more likely to be ineffective when needed.

**Committee Action:** As Submitted 26-3-2

#### REPORT OF HEARING:

**Modification (if any):** The proposal clarifies that the overlap could be cabinets or shelves. The medical devices are common in hospitals and nursing homes and need to be located close to the water closet.

**Committee Reason:**

## 06-16 – 2021 Ballot Comments

### BALLOT COMMENT 1- FIRST DRAFT:

Proponent: *Daniel Buuck, NAHB*

Desired Action: Affirmative with comment

Modification:

Reason: Enclosed shelves can be interpreted to be kitchen cabinets. Without a limitation on the encroachment, allowing enclosed shelves to encroach into the space might be problematic. This could allow a vanity cabinet, or other floor cabinet to project into the clear floor space, which I believe wasn't the intention.

### Committee Action for First Ballot:

### REPORT OF HEARING:

### Modification (if any):

### Committee Reason:

### Report for 06-16– 2021

**Committee decision:** AS

**Committee Vote at Meeting:** 26-3-2

**Committee Vote on Ballot:**39-1-1

#### REPORT OF HEARING:

Modification (if any):

Committee Reason: The proposal clarifies that the overlap could be cabinets or shelves. The medical devices are common in hospitals and nursing homes and need to be located close to the water closet.

### BALLOT COMMENT 1- FIRST DRAFT:

Proponent: *Daniel Buuck, NAHB*

Desired Action: Affirmative with comment

Modification:

Reason: Enclosed shelves can be interpreted to be kitchen cabinets. Without a limitation on the encroachment, allowing enclosed shelves to encroach into the space might be problematic. This could allow a vanity cabinet, or other floor cabinet to project into the clear floor space, which I believe wasn't the intention.

**Committee decision:** AS/AM/D

**Committee Vote at Meeting:**

**Committee Vote on Ballot:**

#### REPORT OF HEARING – FIRST DRAFT

Modification (if any):

Committee Reason:

### BALLOT COMMENT- SECOND DRAFT:

Proponent:

Desired Action:

Modification:

Reason:

**Committee decision:** AS/AM/D

**Committee Vote at Meeting:**

**Committee Vote on Ballot:**

#### FINAL ACTION:

Modification (if any):

Committee Reason:

## 06-18 – 2021 overview

Proposal number	Proponent	Standard Sections	Committee Actions	Mtg. Date	Notes; Groups; groupings
06-18	Steinfeld	604.4, Figure 604.4	AM 24-2-3	9-8-2022	

Comment	Proponent	Requested Action	Committee Action	Mtg. Date	Notes; Groups; groupings
BC1	Pace, HUD	Negative			
<b>BC2</b>	Paarlberg, ICC	Affirmative			

BC= Ballot Comment, PC= Public comment, **Bold Comment number** is proposed revision below

## 06-18 – 2021 604.4, Figure 604.4

**Proponent:** Edward Steinfeld, IDEA Center, School of Architecture and Planning, University at Buffalo, State University of New York, representing RESNA

Revise as follows:

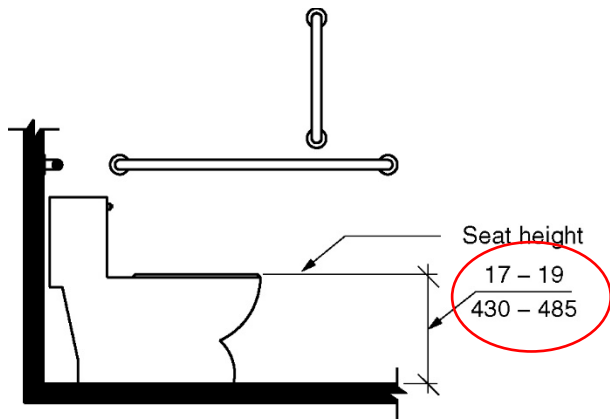
### SECTION 604 WATER CLOSETS AND TOILET COMPARTMENTS

**604.4 Height.** The height of water closet seats shall be 17 inches (430 mm) minimum ~~and to 19~~ 20 inches (485 ~~510~~ mm) maximum above the floor, measured to the top of the seat. Seats shall not be sprung to return to a lifted position.

**EXCEPTIONS:**

1. An accessible water closet which is adjustable in height ~~by the user is permitted or which provides multiple hinged seats shall be permitted to provide adjustability within a range of 17 inches (430 mm) minimum to 25 inches (635 mm) maximum,~~ provided that at least one adjustment setting provides a seat within the range specified in Section 604.4.
2. A water closet in a toilet room for a single occupant, accessed only through a private office and not for common use or public use, shall not be required to comply with this section.

*(Note: Revise figure 604.4 to show 17-20)*



Note: For children's dimensions see Fig. 604.11.4

**FIGURE 604.4  
WATER CLOSET SEAT HEIGHT**

**REASON:** The current standard does not reflect the findings of recent research. The existing dimensions are based on 1970's data. Since that time, new wheelchair technology, particularly the common use of cushions and other seating supports designed to reduce pressure ulcers and position people for improved social interaction and use of equipment, have led to increased seat heights. See Design Resources: Analysis of Seat Height for Wheeled Mobility Devices at <http://idea.ap.buffalo.edu/wp-content/uploads/sites/110/2019/08/23.pdf> The above proposed revision is consistent with this research. The findings indicate that a range of 17-25 in. (430-635 mm) will accommodate almost all of the wheeled mobility population. This exception will provide guidance to manufacturers who are developing adjustable height toilets. Without this guidance, they may not address the full range of needs in the population.

**Staff Note:** Question was split between Section 604.4 and Exception 2

**Committee Action:**

Part 1- Section 604.4 As submitted 24-2-3

Part 2 – Exception 1 Disapproval 32-0-1

**REPORT OF HEARING:**

**Modification (if any):**

**Replace the proposal as follows:**

**604.4 Height.** The height of water closet seats shall be 17 inches (430 mm) minimum ~~and to 19~~ 20 inches (485 510 mm) maximum above the floor, measured to the top of the seat. Seats shall not be sprung to return to a lifted position.

**EXCEPTIONS:**

1. An accessible water closet which is adjustable in height by the user is permitted provided that at least one adjustment setting provides a seat within the range specified in Section 604.4.
2. A water closet in a toilet room for a single occupant, accessed only through a private office and not for common use or public use, shall not be required to comply with this section.

**Committee Reason:** The committee split the proposal; with the change to 604.4 main paragraph approved and the change to the exception disapproved. The end result is a modified proposal that just change the maximum seat height to 20". This is appropriate as it is based on Dr. Steinfeld's research showing that the seat height for different mobility devices is higher. The specifics for the hinged seating proposed to be added in the exception was not needed as this option is already permitted in the current exception.

604.4-STEINFELD.doc

## 06-18 – 2021 Ballot Comments

### BALLOT COMMENT 1- FIRST DRAFT:

Proponent: *Rex Pace, HUD*

Desired Action: Negative with comment

Modification:

Reason: The vote against modification of exception 1 does not dispute the legitimacy of the suggested range for an adjustable seat height. Rather it is simply that a fix height seat height for toilets is permitted to begin with and the proposed range significantly exceeds the fixed range. Therefore, the current exception is appropriate mandate for a fixture of this nature. The proposed adjustable height range is encouraged as a best practice that, hopefully, future technology will readily permit.

### BALLOT COMMENT 2- FIRST DRAFT:

Proponent: *Kimberly Paarlberg, ICC*

Desired Action: Affirmative with comment

Modification: See Ballot Comment 2

## 06-18 – 2021 Ballot Comment 2

### 610.2

**Proponent:** Kimberly Paarlberg, ICC

**Further modify as follows:**

**610.2 Bathtub seats.** The height of bathtub seats shall be 17 inches (430 mm) minimum ~~and to 19 20~~ inches (485 510 mm) maximum above the bathroom floor, measured to the top of the seat. Removable in-tub seats shall be 15 inches (380 mm) minimum and 16 inches (405 mm) maximum in depth. Removable in-tub seats shall be capable of secure placement. Permanent seats shall be 15 inches (380 mm) minimum in depth and shall extend from the back wall to or beyond the outer edge of the bathtub. Permanent seats shall be positioned at the head end of the bathtub.

**903.5 Height.** The top of the bench seat shall be 17 inches (430 mm) minimum ~~and to 19 20~~ inches (485 510 mm) maximum above the floor, measured to the top of the seat.

**Exception:** Benches primarily for children's use shall be permitted to be 11 inches (280 mm) minimum and 17 inches (430 mm) maximum above the floor, measured to the top of the seat.

**REASON:** 06-18-2021 Section 604.4 changes toilet seats and 06-82-21 Section 601.3 changed the height of shower seats to a top range of 20" based on Dr. Steinfeld's study. This should also be applied to bathtub seats and bench seats.

What is approved so far is -

06-41-21 AM; 06-42-21 AM; 06-45-21 AM

610.2 Bathtub seats. The height of bathtub seats shall be 17 inches (430 mm) minimum and 19 inches (485 mm) maximum above the bathroom floor, measured to the top of the seat. Bathtub seats shall be rectangular in shape. Removable in-tub seats shall be 15 inches (380 mm) minimum and 16 inches (405 mm) maximum in depth. Removable in-tub seats shall be capable of secure placement. Permanent seats shall be 15 inches (380 mm) minimum in depth and shall extend from the back wall to or beyond the outer edge of the bathtub. Permanent seats shall be positioned at the head end of the bathtub.

Committee Action for Ballot Comment 2:

REPORT OF HEARING:

Modification (if any):

Committee Reason:

06-18 Paarlberg.doc

Committee Action for First Ballot:

REPORT OF HEARING:

Modification (if any):

Committee Reason:

Report for 06-18- 2021		
Committee decision: AM	Committee Vote at Meeting: 24-2-3	Committee Vote on Ballot:38-2-1
<b>REPORT OF HEARING:</b> Modification (if any): Replace the proposal as follows:  <b>604.4 Height.</b> The height of water closet seats shall be 17 inches (430 mm) minimum and <u>to 19 20</u> inches (485 <u>510</u> mm) maximum above the floor, measured to the top of the seat. Seats shall not be sprung to return to a lifted position. <b>EXCEPTIONS:</b> <ol style="list-style-type: none"> <li>An accessible water closet which is adjustable in height by the user is permitted provided that at least one adjustment setting provides a seat within the range specified in Section 604.4.</li> <li>A water closet in a toilet room for a single occupant, accessed only through a private office and not for common use or public use, shall not be required to comply with this section.</li> </ol>		
Committee Reason: The committee split the proposal; with the change to 604.4 main paragraph approved and the change to the exception disapproved. The end result is a modified proposal that just change the maximum seat height to 20". This is appropriate as it is based on Dr. Steinfeld's research showing that the seat height for different mobility devices is higher. The specifics for the hinged seating proposed to be added in the exception was not needed as this option is already permitted in the current exception.		
<b>BALLOT COMMENT 1- FIRST DRAFT:</b>		
Proponent: <i>Rex Pace, HUD</i>		
Desired Action: Negative with comment		
Modification:		
Reason: The vote against modification of exception 1 does not dispute the legitimacy of the suggested range for an adjustable seat height. Rather it is simply that a fix height seat heigh for toilets is permitted to begin with and the proposed range significantly exceeds the fixed range. Therefore, the current exception is appropriate mandate for a fixture of this nature. The proposed adjustable height range is encouraged as a best practice that, hopefully, future technology will readily permit.		
<b>BALLOT COMMENT 2- FIRST DRAFT:</b>		
Proponent: <i>Kimberly Paarlberg, ICC</i>		



**Report for 06-18– 2021**

Desired Action: Affirmative with comment

Modification:

**Further modify as follows:**

**610.2 Bathtub seats.** The height of bathtub seats shall be 17 inches (430 mm) minimum ~~and to 19 20 inches (485 510 mm)~~ maximum above the bathroom floor, measured to the top of the seat. Removable in-tub seats shall be 15 inches (380 mm) minimum and 16 inches (405 mm) maximum in depth. Removable in-tub seats shall be capable of secure placement. Permanent seats shall be 15 inches (380 mm) minimum in depth and shall extend from the back wall to or beyond the outer edge of the bathtub. Permanent seats shall be positioned at the head end of the bathtub.

**903.5 Height.** The top of the bench seat shall be 17 inches (430 mm) minimum ~~and to 19 20 inches (485 510 mm)~~ maximum above the floor, measured to the top of the seat.

**Exception:** Benches primarily for children's use shall be permitted to be 11 inches (280 mm) minimum and 17 inches (430 mm) maximum above the floor, measured to the top of the seat.

Reason: 06-18-2021 Section 604.4 changes toilet seats and 06-82-21 Section 601.3 changed the height of shower seats to a top range of 20" based on Dr. Steinfeld's study. This should also be applied to bathtub seats and bench seats.

**What is approved so far is -**

**06-41-21 AM; 06-42-21 AM; 06-45-21 AM**

**610.2 Bathtub seats.** The height of bathtub seats shall be 17 inches (430 mm) minimum and 19 inches (485 mm) maximum above the bathroom floor, measured to the top of the seat. **Bathtub seats shall be rectangular in shape.** Removable in-tub seats shall be 15 inches (380 mm) minimum and 16 inches (405 mm) maximum in depth. Removable in-tub seats shall be capable of secure placement. Permanent seats shall be 15 inches (380 mm) minimum in depth and shall extend from the back wall to or beyond the outer edge of the bathtub. Permanent seats shall be positioned at the head end of the bathtub.

**Committee decision: AS/AM/D**

**Committee Vote at Meeting:**

**Committee Vote on Ballot:**

**REPORT OF HEARING – FIRST DRAFT**

Modification (if any):

Committee Reason:

**BALLOT COMMENT- SECOND DRAFT:**

Proponent:

Desired Action:

Modification:

Reason:

**Committee decision: AS/AM/D**

**Committee Vote at Meeting:**

**Committee Vote on Ballot:**

**FINAL ACTION:**

Modification (if any):

Committee Reason:

## 06-20 – 2021 overview

Proposal number	Proponent	Standard Sections	Committee Actions	Mtg. Date	Notes; Groups; groupings
06-20	Mazz	604.6	AS 24-0-1	9-8-2022	

Comment	Proponent	Requested Action	Committee Action	Mtg. Date	Notes; Groups; groupings
<b>BC1</b>	Paarlberg, ICC	Affirmative			

BC= Ballot Comment, PC= Public comment, **Bold Comment number** is proposed revision below

## 06-20 – 2021 604.6

**Proponent:** Marsha Mazz, representing United Spinal Association

**Revise as follows:**

### SECTION 604 WATER CLOSETS AND TOILET COMPARTMENTS

**604.6 Flush controls.** Flush controls shall be hand-operated or automatic. Where only hand ~~Hand~~ operated flush controls are provided, they shall comply with Section 309. Hand-operated flush controls shall be located on the open side of the centerline of the water closet.

**~~Exception~~ Exceptions:**

1. In ambulatory accessible toilet compartments complying with Section 604.10, flush controls shall be permitted to be located on either side of the water closet.
2. Hand-operated flush controls shall be permitted to cross the centerline of the water closet, provided that the portion of the control that is located to the open side of the centerline independently complies with Section 309.4.

---

**REASON:** This proposal accomplishes two things. First, it clarifies that where automatic flush controls are provided, the override button, sometimes called a courtesy button, near not be accessible. While this seems picayune, the inspectors in at least one large city have interpreted the requirement, as written, to apply to these small buttons which typically are not accessible.

Second, the proposal clarifies that a type of control that is common for dual flush toilets is compliant if a portion of the control is located to the open side of the water closet and is operable in compliance with the force requirements of Section 309.4.

**Committee Action:** 24-0-1 As Submitted

### REPORT OF HEARING:

**Modification (if any):**

**Committee Reason:** The proposal allows for the types of controls that are on the top of tanks or on the wall over the water closet. This also clarifies that the automatic controls can be centered since they do not require activation by the user.

## 06-20 – 2021 Ballot Comments

<b>BALLOT COMMENT 1- FIRST DRAFT:</b>
Proponent: <i>Kimberly Paarlberg, ICC</i>
Desired Action: Affirmative with comment
Modification: See Ballot Comment 1

## 06-20 – 2021 Ballot Comment 1

### 604.6

**Proponent: Kimberly Paarlberg, ICC**

**Further modify as follows:**

**604.6 Flush controls.** Flush controls shall be hand-operated or automatic. Where only hand operated flush controls are provided, they shall comply with Section 309. Hand-operated flush controls shall be located on the open side of the ~~centerline of the~~ water closet clearance.

**Exceptions:**

2. In ambulatory accessible **toilet** compartments complying with Section 604.10, flush controls shall be permitted to be located on either side of the water closet.
2. Hand-operated flush controls shall be permitted ~~to cross the centerline of the water closet, provided that the portion of the control that is located to the open side of the centerline independently complies with Section 309.4.~~ on the wall over the back of the water closet or on top of the water closet tank where the flush controls is within obstructed high reach in Section 308.3.2.

---

**REASON:** While I agree with the intent, I believe the language could be misinterpreted. For the main text, adding the ‘centerline of the water closet’ is not clear – just use the clearance. Exception 2 was to allow for a dual control on the back wall or top of the water closet. The proposed text is unclear. Allowing for this would support many water saving options.

---

**Committee Action on Ballot Comment 1:**

**REPORT OF HEARING:**

**Modification (if any):**

**Committee Reason:**

**06-20 Paarlberg.doc**

---

**Committee Action for First Ballot:**

**REPORT OF HEARING:**

**Modification (if any):**

**Committee Reason:**

<b>Report for 06-20-2021</b>		
<b>Committee decision: AS</b>	<b>Committee Vote at Meeting: 24-0-1</b>	<b>Committee Vote on Ballot:39-1-1</b>
<b>REPORT OF HEARING:</b>		
Modification (if any):		
Committee Reason: The proposal allows for the types of controls that are on the top of tanks or on the wall over the water closet. This also clarifies that the automatic controls can be centered since they do not require activation by the user.		
<b>BALLOT COMMENT 1- FIRST DRAFT:</b>		
Proponent: <i>Kimberly Paalberg, ICC</i>		
Desired Action: Affirmative with comment		
Modification:		
<b>Further modify as follows:</b>		
<b>604.6 Flush controls.</b> Flush controls shall be hand-operated or automatic. Where only hand operated flush controls are provided, they shall comply with Section 309. Hand-operated flush controls shall be located on the open side of the centerline of the water closet clearance.		
<b>Exceptions:</b>		
1. In ambulatory accessible toilet compartments complying with Section 604.10, flush controls shall be permitted to be located on either side of the water closet.		
2. Hand-operated flush controls shall be permitted to cross the centerline of the water closet, provided that the portion of the control that is located to the open side of the centerline independently complies with Section 309.4. on the wall over the back of the water closet or on top of the water closet tank where the flush controls is within obstructed high reach in Section 308.3.2.		
Reason: While I agree with the intent, I believe the language could be misinterpreted. For the main text, adding the 'centerline of the water closet' is not clear – just use the clearance. Exception 2 was to allow for a dual control on the back wall or top of the water closet. The proposed text is unclear. Allowing for this would support many water saving options.		
<b>Committee decision: AS/AM/D</b>	<b>Committee Vote at Meeting:</b>	<b>Committee Vote on Ballot:</b>
<b>REPORT OF HEARING – FIRST DRAFT</b>		
Modification (if any):		
Committee Reason:		
<b>BALLOT COMMENT- SECOND DRAFT:</b>		
Proponent:		
Desired Action:		
Modification:		
Reason:		
<b>Committee decision: AS/AM/D</b>	<b>Committee Vote at Meeting:</b>	<b>Committee Vote on Ballot:</b>
<b>FINAL ACTION:</b>		
Modification (if any):		
Committee Reason:		

## 06-23 – 2021 overview

Proposal number	Proponent	Standard Sections	Committee Actions	Mtg. Date	Notes; Groups; groupings
06-23	Hilberry	604.9.3, Figures 604.9.2.3, 604.9.3(B)	AS 22-4-1	9-8-2022	

Comment	Proponent	Requested Action	Committee Action	Mtg. Date	Notes; Groups; groupings
BC1	Dain, AIA	Negative			

BC= Ballot Comment, PC= Public comment, **Bold Comment number** is proposed revision below

## 06-23 – 2021

### 604.9.3, Figures 604.9.2.3, 604.9.3(B)

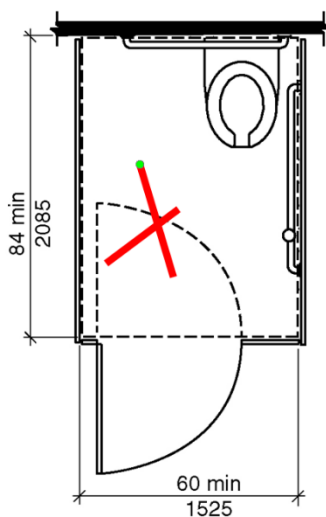
**Proponent:** Gina Hilberry, Cohen Hilberry Architects, representing United Cerebral Palsy

**Revise as follows:**

#### SECTION 604 WATER CLOSETS AND TOILET COMPARTMENTS

#### 604.9 Wheelchair accessible toilet compartments.

**604.9.2.3 Alternate wheelchair accessible toilet compartments.** Where an alternate wheelchair accessible toilet compartment is provided, the minimum area of the compartment shall be 60 inches (1525 mm) minimum in width, measured perpendicular to the side wall, and 84 inches (2135) minimum in depth, measured perpendicular to the rear wall.



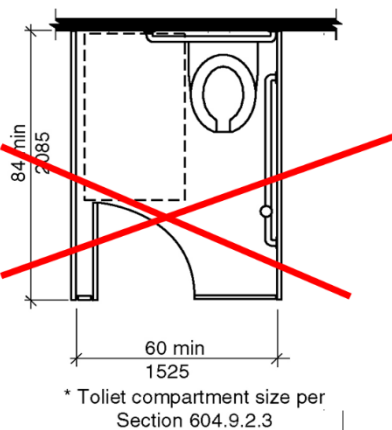
**Figure 604.9.2.3  
WHEELCHAIR TOILET COMPARTMENTS**

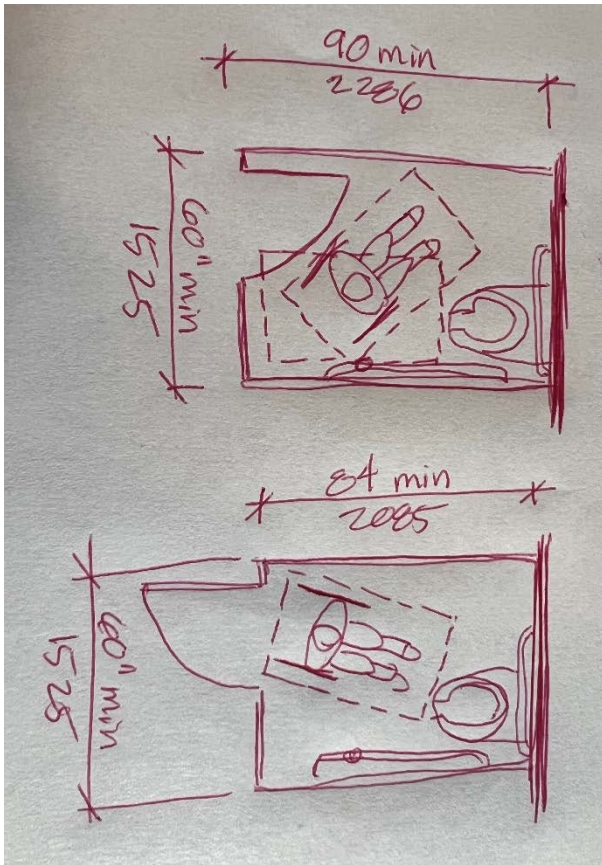
## ALTERNATE WHEELCHAIR TOILET COMPARTMENT

**604.9.3 Doors.** Wheelchair accessible toilet compartment doors, including door hardware, shall comply with Section 404. The door shall be self-closing. A door pull complying with Section 404.2.6 shall be placed on both sides of the door near the latch. Wheelchair accessible toilet compartment doors shall not swing into the required minimum area of the compartment.

### Exceptions:

1. Outside of the compartment, where the approach is to the latch side of the wheelchair accessible toilet compartment, door clearance between the door side of the compartment and any obstruction shall be 42 inches (1065 mm) minimum.
2. Within the wheelchair accessible toilet compartment, maneuvering clearances at the door shall not be required to comply with Section 404.
3. In an alternate wheelchair accessible toilet compartment, the door shall be permitted to swing into the stall compartment where the minimum depth of the stall is 90 inches (2286 mm) a clear floor space complying with Section 305.3 is provided within the stall beyond the arc of the door swing.





**Figure 604.9.3(B)**  
**Wheelchair Toilet Compartment Doors**  
**Exception 3 – Alternate Wheelchair Compartment**

**REASON:** The intent of the alternate wheelchair toilet compartment is to allow for use of the toilet with a forward transfer while maintaining the ability to close door for privacy. For this to work, the person must be able to position themselves directly in front of the toilet without obstructing the door swing. In a standard wheelchair compartment, it is impossible to close the door with a wheelchair extending straight out from the toilet.

Forward approach to the toilet fixture is used frequently by people who cannot complete a side transfer due to physical needs or due to equipment limitations. While not the most common transfer method, it is common for people with cerebral palsy. UCP was the original proponent for this compartment design and this revision clarifies the technical issues incorporated into the design during the end of the 2017 review process.

This change is about ease of use and maneuvering. An alcove requires a 60 length. The space in front of the water closet would be considered confined on three sides. The current depth would allow for an angled front approach with the door swinging out but would be tight for directly in front (29" toilet + 52" clear floor space = 81"). The 84" depth is 5" short of the alcove, but the door swinging out should allow access. If the door swings in, in order to get past the swing of the door, and allow for the alcove length, the depth of the stall would be 90 inches (29" toilet + 60" alcove = 79"). Most water closets are 22" to 29" deep.

Scoping for this alternate wheelchair toilet compartment is submitted separately.

**Committee Action:** 22-4-1 As Submitted

**REPORT OF HEARING:**

**Modification (if any):**

**Further modify as follows (editorial):**

**604.9.3 Doors.** Wheelchair accessible toilet compartment doors, including door hardware, shall comply with Section 404. The door shall be self-closing. A door pull complying with Section 404.2.6 shall be placed on both sides of the door near the latch. Wheelchair accessible toilet compartment doors shall not swing into the required minimum area of the compartment.

**Exceptions:**

1. Outside of the compartment, where the approach is to the latch side of the wheelchair accessible toilet compartment, door clearance between the door side of the compartment and any obstruction shall be 42 inches (1065 mm) minimum.
2. Within the wheelchair accessible toilet compartment, maneuvering clearances at the door shall not be required to comply with Section 404.
3. In an alternate wheelchair accessible toilet compartment, the door shall be permitted to swing into the stall compartment where the minimum depth of the stall is 90 inches (2286 mm).

**Committee Reason:** There was an editorial modification to change ‘stall’ to ‘compartment’ for consistency with the terminology for water closet compartments. The modification will allow for the person to using the wheelchair to get in front of the water closet for a front transfer without interference from the compartment door.

604.9.2.3 fig-HILBERRY.doc

**06-23 – 2021 Ballot Comments**

<b>BALLOT COMMENT 1- FIRST DRAFT:</b>
Proponent: <i>Daniel Dain, AIA</i>
Desired Action: Negative with comment
Modification:
Reason: The point of the alternative compartment was to allow the in-swinging door, why else would you provide a minimum area larger than 60"x56" or 59".52" (305.3) plus 32" (404) = 84". You could just have a 88" deep compartment with a 32" door still leaves the required 56".

**Committee Action for First Ballot:**

**REPORT OF HEARING:**

**Modification (if any):**

**Committee Reason:**

<b>Report for 06-23– 2021</b>		
<i>Committee decision: AS</i>	<i>Committee Vote at Meeting: 22-4-1</i>	<i>Committee Vote on Ballot:39-1-1</i>
<b>REPORT OF HEARING:</b> Modification (if any): <b>Further modify as follows (editorial):</b> <b>604.9.3 Doors.</b> Wheelchair accessible toilet compartment doors, including door hardware, shall comply with Section 404. The door shall be self-closing. A door pull complying with Section 404.2.6 shall be placed on both sides of the door near the latch. Wheelchair accessible toilet compartment doors shall not swing into the required minimum area of the compartment.		



**Report for 06-23– 2021****Exceptions:**

1. Outside of the compartment, where the approach is to the latch side of the wheelchair accessible toilet compartment, door clearance between the door side of the compartment and any obstruction shall be 42 inches (1065 mm) minimum.
2. Within the wheelchair accessible toilet compartment, maneuvering clearances at the door shall not be required to comply with Section 404.
3. In an alternate wheelchair accessible toilet compartment, the door shall be permitted to swing into the **stall compartment** where the minimum depth of the stall is 90 inches (2286 mm).

Committee Reason: There was an editorial modification to change 'stall' to 'compartment' for consistency with the terminology for water closet compartments. The modification will allow for the person to using the wheelchair to get in front of the water closet for a front transfer without interference from the compartment door.

**BALLOT COMMENT 1- FIRST DRAFT:**

Proponent: *Daniel Dain, AIA*

Desired Action: Negative with comment

Modification:

Reason: The point of the alternative compartment was to allow the in-swinging door, why else would you provide a minimum area larger than 60"x56" or 59".52" (305.3) plus 32" (404) = 84". You could just have a 88" deep compartment with a 32" door still leaves the required 56".

**Committee decision: AS/AM/D**

**Committee Vote at Meeting:**

**Committee Vote on Ballot:**

**REPORT OF HEARING – FIRST DRAFT**

Modification (if any):

Committee Reason:

**BALLOT COMMENT- SECOND DRAFT:**

Proponent:

Desired Action:

Modification:

Reason:

**Committee decision: AS/AM/D**

**Committee Vote at Meeting:**

**Committee Vote on Ballot:**

**FINAL ACTION:**

Modification (if any):

Committee Reason:

## 06-25 – 2021 overview

Proposal number	Proponent	Standard Sections	Committee Actions	Mtg. Date	Notes; Groups; groupings
06-25	Paarlberg	604.9.3, 604.9.3.1, 604.10.3	AM 18-3-2	9-22-2022	

Comment	Proponent	Requested Action	Committee Action	Mtg. Date	Notes; Groups; groupings
BC1	Dain, AIA	Negative			
BC2	Paarlberg, ICC	Affirmative			

BC= Ballot Comment, PC= Public comment, **Bold Comment number** is proposed revision below

## 06-25 – 2021

### 604.9.3, 604.9.3.1, 604.10.3

**Proponent:** Kimberly Paarlberg, International Code Council

**Revise text as follows:**

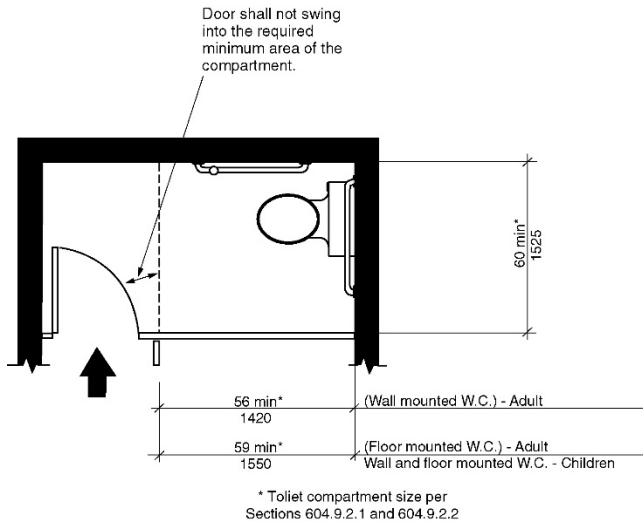
#### SECTION 604 WATER CLOSETS AND TOILET COMPARTMENTS

#### 604.9 Wheelchair accessible toilet compartments.

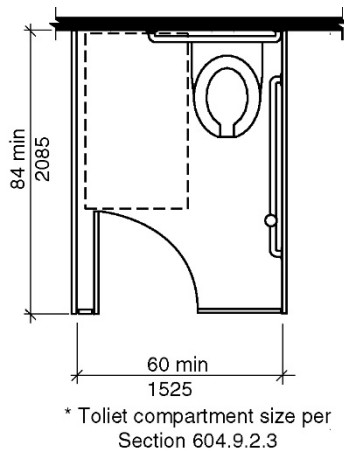
**604.9.3 Doors.** Doors for Wheelchair accessible toilet compartments ~~compartment doors, including door hardware,~~ shall comply with ~~Section 404~~ Sections 404.2.2, 404.2.3.2, 404.2.4 and 404.2.9. The door shall be self-closing with a balanced door or spring hinges. Door hardware shall comply with Section 404.2.6. In addition a door pull complying with Section 404.2.6 shall be placed on both sides of the door near the latch. Wheelchair accessible toilet compartment doors shall not swing into the required minimum area of the compartment.

#### **Exceptions:**

1. Outside of the compartment, the door shall not be required to comply with Section 404.2.3.2 where the approach is to the latch side of the wheelchair accessible toilet compartment, door clearance between the door side of the compartment and any obstruction ~~shall be~~ is 42 inches (1065 mm) minimum.
2. Within the wheelchair accessible toilet compartment, maneuvering clearances at the door shall not be required to comply with Section ~~404~~ 404.2.3.2.
3. ~~In an alternate~~ Within wheelchair accessible toilet compartment, the door shall be permitted to swing into the stall where a clear floor space complying with Section 305.3 is provided within the stall beyond the arc of the door swing.

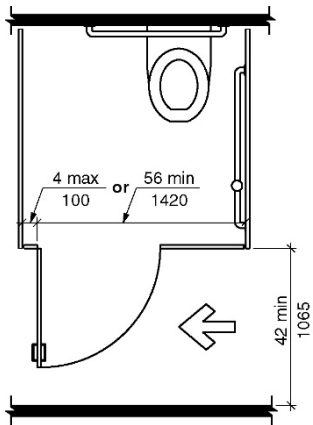


**FIGURE 604.9.3(A)**  
**WHEELCHAIR TOILET COMPARTMENT DOORS**  
**DOOR SWINGING INTO THE WHEELCHAIR TOILET COMPARTMENT**



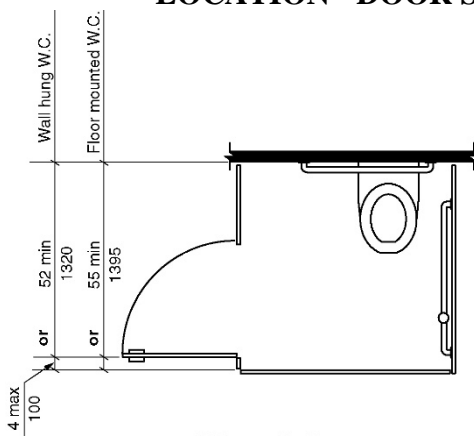
**FIGURE 604.9.3(B)**  
**WHEELCHAIR TOILET COMPARTMENT DOORS**  
**EXCEPTION 3 - ALTERNATE WHEELCHAIR COMPARTMENT**

**604.9.3.1 Door opening location.** The farthest edge of the wheelchair accessible toilet compartment door opening shall be located in the front wall or partition or in the side wall or partition as required by Table 604.9.3.1. Hinge and latch side of the doors are permitted to be oriented so that the door opens in the direction of the approach.



(a) Door swing in on Front wall of partition

**FIGURE 604.9.3.1(A)  
WHEELCHAIR TOILET COMPARTMENT DOOR OPENING  
LOCATION - DOOR SWINGING IN ON FRONT WALL OF PARTITION**



(b) Door swing in on Side wall of partition

**FIGURE 604.9.3.1(B)  
WHEELCHAIR TOILET COMPARTMENT DOOR OPENING LOCATION  
DOOR SWINGING IN ON SIDE WALL OF PARTITIONS**

## 604.10 Ambulatory accessible toilet compartments.

**604.10.3 Doors.** Doors for Ambulatory accessible toilet compartments ~~compartment doors, including door hardware,~~ shall comply with ~~Section 404~~ Sections 404.2.2, 404.2.3.2, 404.2.4 and 404.2.9. The door shall be self-closing with a balanced door or spring hinges. Door hardware shall comply with Section 404.2.6. In addition a A door pull complying with Section 404.2.6 shall be placed on both sides of the door near the latch. Compartment doors shall not swing into the required minimum area of the compartment. Hinge and latch side of the doors are permitted to be oriented so that the door opens in the direction of the approach.

### Exceptions:

1. Outside of the ambulatory accessible toilet compartment, the door shall not be required to comply with Section 404.2.3.2 where the approach is to the latch side of the compartment door, clearance between the door side of the compartment and any obstruction ~~shall be~~ is 42 inches (1065 mm) minimum.

2. Within the ambulatory accessible toilet compartment, maneuvering clearances at the door shall not be required to comply with Section 404 ~~404.2.3.2~~.

---

**REASON:** The intent of this proposal is to clarify what is required for stall partition doors – wheelchair and ambulatory. The reference to Section 404 for door in toilet stall appears to be too broad. The change will pick up door clear width, thresholds and surface (if the stall has full height doors). The requirements for the door hardware are clarified. Items that are not for stall doors that will not be referenced are doors without doorways, recessed doors, two doors in a series, closing speed (closing is addressed in 2<sup>nd</sup> sentence), vision lights, and all of automatic doors. The added text for the 2<sup>nd</sup> sentence is intended to indicate that the door is not required to close to latch, but can remain slightly open so you can see if the stall is occupied. The change to exception 1 is to indicate that this is an exception to the maneuvering clearances. The additional sentence is to allow for the door to switch the latch and hinge side shown in the pictures to improve access into the stall. The change to exception 2 is allow the exception to apply to the new option for accessible stalls. The change to exception 3 is to allow the single occupant toilet room option to apply to wheelchair and alternation wheelchair accessible compartments.

**Committee Action:** 18-3-2 Approved as Modified

#### **REPORT OF HEARING:**

**Modification (if any):** Mod approved 23-0-2

#### **Further modify as follows:**

**604.9.3 Doors.** Doors for wheelchair accessible toilet compartments shall comply with Sections 404.2.2, 404.2.3.2, 404.2.4 and 404.2.9. The door shall be self-closing with a balanced door or spring hinges. Door hardware shall comply with Section 404.2.6. In addition, a door pull complying with Section 404.2.6 shall be placed on both sides of the door near the latch. Wheelchair accessible toilet compartment doors shall not swing into the required minimum area of the compartment.

#### **Exceptions:**

1. Outside of the compartment the door ~~is shall~~ not ~~be~~ required to comply with Section 404.2.3.2 where the approach is to the latch side of the wheelchair accessible toilet compartment, door clearance between the door side of the compartment and any obstruction is 42 inches (1065 mm) minimum.
2. Within the wheelchair accessible toilet compartment, maneuvering clearances at the door shall not be required to comply with Section 404.2.3.2.
3. ~~In an alternate~~ ~~Within~~ wheelchair accessible toilet compartment, the door shall be permitted to swing into the stall where a clear floor space complying with Section 305.3 is provided within the stall beyond the arc of the door swing.

**604.10.3 Doors.** Doors for Ambulatory accessible toilet compartments shall comply with Sections 404.2.2, 404.2.3.2, 404.2.4 and 404.2.9. The door shall be self-closing with a balanced door or spring hinges. Door hardware shall comply with Section 404.2.6. In addition a door pull complying with Section 404.2.6 shall be placed on both sides of the door near the latch. Compartment doors shall not swing into the required minimum area of the compartment. Hinge and latch side of the doors are permitted to be oriented so that the door opens in the direction of the approach.

#### **Exceptions:**

1. Outside of the ambulatory accessible toilet compartment, the door ~~is shall~~ not ~~be~~ required to comply with Section 404.2.3.2 where the approach is to the latch side of the compartment door, clearance between the door side of the compartment and any obstruction is 42 inches (1065 mm) minimum.
2. Within the ambulatory accessible toilet compartment, maneuvering clearances at the door shall not be required to comply with Section 404.2.3.2.

**Committee Reason:** The modifications to Section 604.9.3 Exception 1 and 604.10.3 Exception 1 are editorial. The committee preferred ‘is’ instead of ‘shall’. The modification to Section 604.9.3 Exception 3 was to put the exception back the way it was. There was concern that the door swinging into a stall would be an obstruction. The proposal clarifies what is required for stall partition doors – wheelchair and ambulatory. Additional clarification of ‘self-closing’ may be needed.

Staff note: This proposal was in the draft and the Sept. 22, 2022 report, but was not included in the Committee Action Report 1-19-2023. This will be included in the ballot due July 31, 2023 to allow for committee members to see the complete record to vote.

**604.9.3-PAARLBERG.doc**

## 06-25 – 2021 Ballot Comments

06-25 – 2021 Ballot Comments	
<b>BALLOT COMMENT 1- FIRST DRAFT:</b>	
Proponent: Dan Dain, AIA	
Desired Action: Negative with comment	
Modification:	
Reason: 604.9.3 purple highlight lists sections “404.2.2, 404.2.3.2, 404.2.4, and 404.2.9.” Appears to be missing 404.2.3.1. Section 404.2.9 would not apply for areas 10” and below since toe clearance requires bottom of door and Page 13 ICC (ASC A117) Ballot on Committee Action – August 5, 2022 partitions to be 12”. Assume 404.2.7 and 404.2.8 were discussed and purposely excepted.	
<b>BALLOT COMMENT 2- FIRST DRAFT:</b>	
Proponent: Kimberly Paarlberg, ICC	
Desired Action: Affirmative with comment	
Modification: See Ballot Comment 2	

## 06-25 – 2021 Ballot Comment 2

### 604.9.3

**Proponent: Kimberly Paarlberg, ICC**

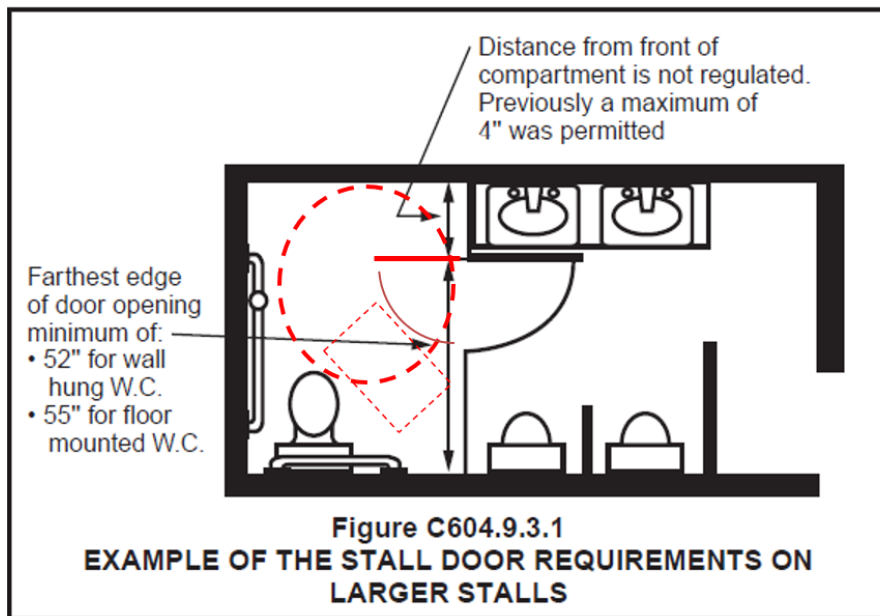
**Further modify as follows:**

**604.9.3 Doors.** Doors for wheelchair accessible toilet compartments shall comply with Sections 404.2.2, 404.2.3.2, 404.2.4 and 404.2.9. The door shall be self-closing with a balanced door or spring hinges. Door hardware shall comply with Section 404.2.6. In addition, a door pull complying with Section 404.2.6 shall be placed on both sides of the door near the latch. Wheelchair accessible toilet compartment doors shall not swing into the required minimum area of the compartment.

**Exceptions:**

1. Outside of the compartment the door is not required to comply with Section 404.2.3.2 where the approach is to the latch side of the wheelchair accessible toilet compartment, door clearance between the door side of the compartment and any obstruction is 42 inches (1065 mm) minimum.
2. Within the wheelchair accessible toilet compartment, maneuvering clearances at the door shall not be required to comply with Section 404.2.3.2.
3. In an alternate wheelchair accessible toilet compartment, the door shall be permitted to swing into the stall where a clear floor space complying with Section 305.3 is provided within the stall beyond the arc of the door swing.
4. In wheelchair accessible toilet compartment, the door shall be permitted to swing into the minimum area of the compartment where a clear floor space is provided past the swing of the door and a turning space is provided within the compartment.

**REASON:** The modification to Exception 3 to put it back the way it was took out the clarification for a wheelchair compartment to have the door swing into the wheelchair compartment. This would coordinate with the changes for the compartment size options for door location. This would let the compartment meet the same requirements as a toilet room.



**Committee Action for Ballot comment 2:**

**REPORT OF HEARING:**

**Modification (if any):**

**Committee Reason:**

**06-25 Paarlberg.doc**

## Committee Action for First Ballot:

### REPORT OF HEARING:

#### Modification (if any):

#### Committee Reason:

Report for 06-25– 2021		
Committee decision: AM	Committee Vote at Meeting: 18-3-2	Committee Vote on Ballot:38-2-1
<b>REPORT OF HEARING:</b> Modification (if any): <b>Further modify as follows:</b>		
<b>604.9.3 Doors.</b> Doors for wheelchair accessible toilet compartments shall comply with Sections 404.2.2, 404.2.3.2, 404.2.4 and 404.2.9. The door shall be self-closing with a balanced door or spring hinges. Door hardware shall comply with Section 404.2.6. In addition, a door pull complying with Section 404.2.6 shall be placed on both sides of the door near the latch. Wheelchair accessible toilet compartment doors shall not swing into the required minimum area of the compartment. <b>Exceptions:</b> <ol style="list-style-type: none"><li>1. Outside of the compartment the door <b>is shall not be</b> required to comply with Section 404.2.3.2 where the approach is to the latch side of the wheelchair accessible toilet compartment, door clearance between the door side of the compartment and any obstruction is 42 inches (1065 mm) minimum.</li><li>2. Within the wheelchair accessible toilet compartment, maneuvering clearances at the door shall not be required to comply with Section 404.2.3.2.</li><li>3. <b>In an alternate Within</b> wheelchair accessible toilet compartment, the door shall be permitted to swing into the stall where a clear floor space complying with Section 305.3 is provided within the stall beyond the arc of the door swing.</li></ol>		
<b>604.10.3 Doors.</b> Doors for Ambulatory accessible toilet compartments shall comply with Sections 404.2.2, 404.2.3.2, 404.2.4 and 404.2.9. The door shall be self-closing with a balanced door or spring hinges. Door hardware shall comply with Section 404.2.6. In addition a door pull complying with Section 404.2.6 shall be placed on both sides of the door near the latch. Compartment doors shall not swing into the required minimum area of the compartment. Hinge and latch side of the doors are permitted to be oriented so that the door opens in the direction of the approach. <b>Exceptions:</b> <ol style="list-style-type: none"><li>1. Outside of the ambulatory accessible toilet compartment, the door <b>is shall not be</b> required to comply with Section 404.2.3.2 where the approach is to the latch side of the compartment door, clearance between the door side of the compartment and any obstruction is 42 inches (1065 mm) minimum.</li><li>2. Within the ambulatory accessible toilet compartment, maneuvering clearances at the door shall not be required to comply with Section 404.2.3.2.</li></ol>		
Committee Reason: The modifications to Section 604.9.3 Exception 1 and 604.10.3 Exception 1 are editorial. The committee preferred 'is' instead of 'shall'. The modification to Section 604.9.3 Exception 3 was to put the exception back the way it was. There was concern that the door swinging into a stall would be an obstruction. The proposal clarifies what is required for stall partition doors – wheelchair and ambulatory. Additional clarification of 'self-closing' may be needed.		
<b>BALLOT COMMENT 1- FIRST DRAFT:</b> Proponent: Dan Dain, AIA Desired Action: Negative with comment Modification:		
Reason: 604.9.3 purple highlight lists sections "404.2.2, 404.2.3.2, 404.2.4, and 404.2.9." Appears to be missing 404.2.3.1. Section 404.2.9 would not apply for areas 10" and below since toe clearance requires bottom of door and Page 13 ICC (ASC A117) Ballot on Committee Action – August 5, 2022 partitions to be 12". Assume 404.2.7 and 404.2.8 were discussed and purposely excepted.		
<b>BALLOT COMMENT 2- FIRST DRAFT:</b> Proponent: Kimberly Paarlberg, ICC Desired Action: Affirmative with comment Modification: <b>Further modify as follows:</b>		
<b>604.9.3 Doors.</b> Doors for wheelchair accessible toilet compartments shall comply with Sections 404.2.2, 404.2.3.2, 404.2.4 and 404.2.9. The door shall be self-closing with a balanced door or spring hinges. Door hardware shall comply with Section 404.2.6. In addition, a door pull complying with Section 404.2.6 shall be placed on both sides of the door near the latch. Wheelchair accessible toilet compartment doors shall not swing into the required minimum area of the compartment. <b>Exceptions:</b> <ol style="list-style-type: none"><li>1. Outside of the compartment the door is not required to comply with Section 404.2.3.2 where the approach is to the latch side of the wheelchair accessible toilet compartment, door clearance between the door side of the compartment and any obstruction is 42 inches (1065 mm) minimum.</li><li>2. Within the wheelchair accessible toilet compartment, maneuvering clearances at the door shall not be required to comply with Section 404.2.3.2.</li></ol>		

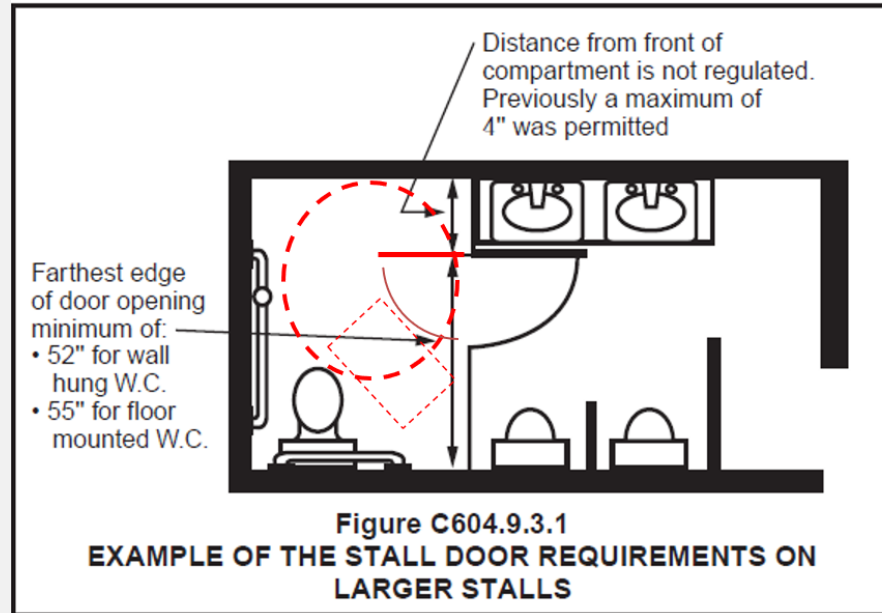


**Report for 06-25-2021**

3. In an alternate wheelchair accessible toilet compartment, the door shall be permitted to swing into the stall where a clear floor space complying with Section 305.3 is provided within the stall beyond the arc of the door swing.

4. In wheelchair accessible toilet compartment, the door shall be permitted to swing into the minimum area of the compartment where a clear floor space is provided past the swing of the door and a turning space is provided within the compartment.

The modification to Exception 3 to put it back the way it was took out the clarification for a wheelchair compartment to have the door swing into the wheelchair compartment. This would coordinate with the changes for the compartment size options for door location. This would let the compartment meet the same requirements as a toilet room.



<i>Committee decision: AS/AM/D</i>	<i>Committee Vote at Meeting:</i>	<i>Committee Vote on Ballot:</i>
<b>REPORT OF HEARING – FIRST DRAFT</b>		
Modification (if any):		
Committee Reason:		
<b>BALLOT COMMENT- SECOND DRAFT:</b>		
Proponent:		
Desired Action:		
Modification:		
Reason:		
<i>Committee decision: AS/AM/D</i>	<i>Committee Vote at Meeting:</i>	<i>Committee Vote on Ballot:</i>
<b>FINAL ACTION:</b>		
Modification (if any):		
Committee Reason:		

# 06-27 – 2021 overview

Proposal number	Proponent	Standard Sections	Committee Actions	Mtg. Date	Notes; Groups; groupings
06-27	Paarlberg	604.9.5.1, 604.9.5.2	AS 20-4-4	9-22-2022	06-22, 06-27

Comment	Proponent	Requested Action	Committee Action	Mtg. Date	Notes; Groups; groupings
<b>PC1</b>	Terminology	AM			Editorial

BC= Ballot Comment, PC= Public comment, **Bold Comment number** is proposed revision below

## 06-27 – 2021 604.9.5.1, 604.9.5.2

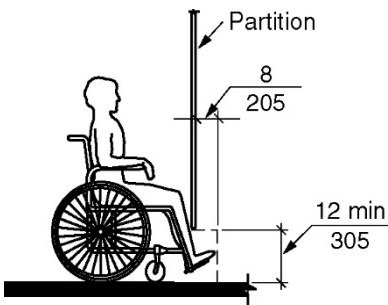
**Proponent:** Kimberly Paarlberg, International Code Council

**Revise as follows:**

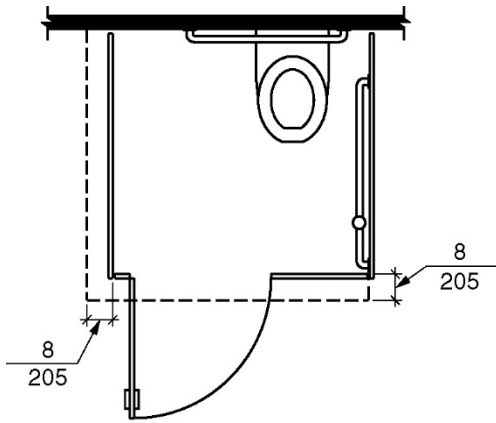
### SECTION 604 WATER CLOSETS AND TOILET COMPARTMENTS

#### 604.9 Wheelchair accessible toilet compartments.

**604.9.5 Toe clearance.** Toe clearance for wheelchair accessible toilet compartments primarily for children’s use shall comply with Section 604.9.5.2. Toe clearance for other wheelchair accessible toilet compartments shall comply with Section 604.9.5.1.



**FIGURE 604.9.5(A)  
TOE CLEARANCE - ELEVATION**



**FIGURE 604.9.5(B)**  
**TOE CLEARANCE – PLAN**

**604.9.5.1 Toe clearance at wheelchair accessible toilet compartments**

The front partition and at least one side partition of wheelchair accessible toilet compartments shall provide a toe clearance of 12 inches (305 mm) minimum above the floor and extending 8 inches (205 mm) beyond the compartment side face of the partition, exclusive of partition support members.

**Exceptions:**

1. Toe clearance at the front partition is not required in a wheelchair accessible toilet compartment greater than 64 inches (1625 mm) in depth with a wall-hung water closet, or greater than 67 inches (1700 mm) in depth with a floor-mounted water closet.
2. Toe clearance at the side partition is not required in a wheelchair accessible toilet compartment greater than 68 inches (1725 mm) in width.
3. Toe clearance is not required in a wheelchair accessible compartment that includes a turning space complying with Section 304.

**604.9.5.2 Toe clearance at wheelchair accessible toilet compartments for children’s use.** The front partition and at least one side partition of wheelchair accessible toilet compartments primarily for children’s use shall provide a toe clearance of 12 inches (305 mm) minimum above the floor and extending 8 inches (205 mm) beyond the wheelchair accessible toilet compartment side face of the partition, exclusive of partition support members.

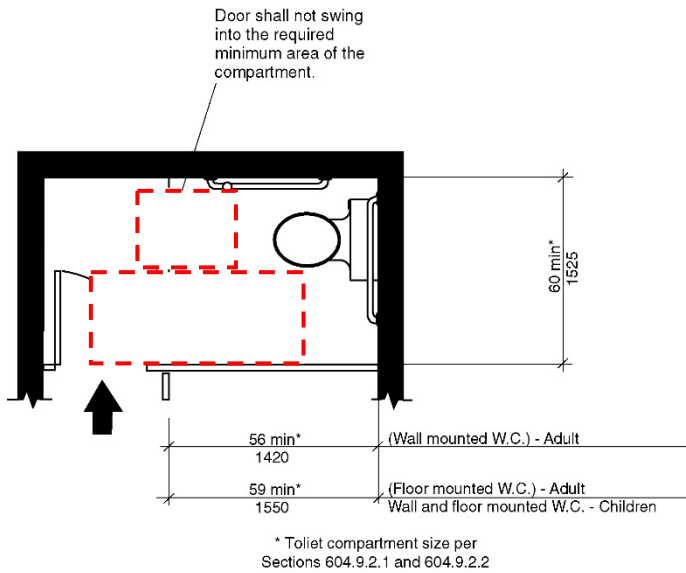
**Exceptions:**

1. Toe clearance at the front partition is not required in a wheelchair accessible toilet compartment greater than 67 inches (1700 mm) in depth.
2. Toe clearance at the side partition is not required in a wheelchair accessible toilet compartment greater than 68 inches (1725 mm) in width.
3. Toe clearance is not required in a wheelchair accessible compartment that includes a turning space complying with Section 304.

---

**REASON:** Where a turning space is located within the wheelchair toilet compartment, the need for the toe clearances at the front and one side privacy partition is not warranted. This proposal will be conducive for the popular “end-stall” configuration where the privacy partition extends down to the floor, which are becoming

more popular especially with the advent of “universal” multi-user restroom which may be used by all persons regardless of sex, gender or affiliations.



**Committee Action:** 20-4-4 As Submitted

## REPORT OF HEARING:

### Modification (if any):

**Committee Reason:** The committee felt that where a turning space was provided within a compartment, that the additional width or length required in Exception 1 and 2 were not needed. This will increase design options.

604.9.5.1-2-PAARLBERG.doc

## 06-27 – 2021 Public Comment 1

### 604.9.5.1, 604.9.5.2

**Proponent:** Marsha Mazz, representing the Terminology Task Group

### Further revise as follows:

## SECTION 604 WATER CLOSETS AND TOILET COMPARTMENTS

### 604.9.5.1 Toe clearance at wheelchair accessible toilet compartments

The front partition and at least one side partition of wheelchair accessible toilet compartments shall provide a toe clearance of 12 inches (305 mm) minimum above the floor and extending 8 inches (205 mm) beyond the compartment side face of the partition, exclusive of partition support members.

#### Exceptions:

1. Toe clearance at the front partition is not required in a wheelchair accessible toilet compartment greater than 64 inches (1625 mm) in depth with a wall-hung water closet, or greater than 67 inches (1700 mm) in depth with a floor-mounted water closet.

2. Toe clearance at the side partition is not required in a wheelchair accessible toilet compartment greater than 68 inches (1725 mm) in width.
3. Toe clearance is not required in a wheelchair accessible compartment that includes a turning space ~~complying with Section 304.~~

**604.9.5.2 Toe clearance at wheelchair accessible toilet compartments for children’s use.** The front partition and at least one side partition of wheelchair accessible toilet compartments primarily for children’s use shall provide a toe clearance of 12 inches (305 mm) minimum above the floor and extending 8 inches (205 mm) beyond the wheelchair accessible toilet compartment side face of the partition, exclusive of partition support members.

**Exceptions:**

1. Toe clearance at the front partition is not required in a wheelchair accessible toilet compartment greater than 67 inches (1700 mm) in depth.
2. Toe clearance at the side partition is not required in a wheelchair accessible toilet compartment greater than 68 inches (1725 mm) in width.
3. Toe clearance is not required in a wheelchair accessible compartment that includes a turning space ~~complying with Section 304.~~

**REASON:** This is part of a proposal from the Terminology task group to define the building blocks so that a reference is not required. This public comment is included here because it was part of new text. Please see the complete proposal for additional information.

**Committee Action for First Ballot:**

**REPORT OF HEARING:**

**Modification (if any):**

**Committee Reason:**

**06-27 Terminology.doc**

<b>Report for 06-27– 2021</b>		
<i>Committee decision: AS</i>	<i>Committee Vote at Meeting: 20-4-4</i>	<i>Committee Vote on Ballot: 40-0-1</i>
<b>REPORT OF HEARING:</b>		
Modification (if any):		
Committee Reason: The committee felt that where a turning space was provided within a compartment, that the additional width or length required in Exception 1 and 2 were not needed. This will increase design options.		
<b>BALLOT COMMENT- FIRST DRAFT:</b>		
Proponent:		
Desired Action:		
Modification:		
Reason:		
<i>Committee decision: AS/AM/D</i>	<i>Committee Vote at Meeting:</i>	<i>Committee Vote on Ballot:</i>
<b>REPORT OF HEARING – FIRST DRAFT</b>		
Modification (if any):		
Committee Reason:		
<b>BALLOT COMMENT- SECOND DRAFT:</b>		
Proponent:		
Desired Action:		
Modification:		
Reason:		
<i>Committee decision: AS/AM/D</i>	<i>Committee Vote at Meeting:</i>	<i>Committee Vote on Ballot:</i>

**Report for 06-27- 2021**

**FINAL ACTION:**

Modification (if any):

Committee Reason:

---

## 06-28 – 2021 overview

Proposal number	Proponent	Standard Sections	Committee Actions	Mtg. Date	Notes; Groups; groupings
06-28	Boecker	604.9.7 (New)	D 25-2-2	12-1-2022	

Comment	Proponent	Requested Action	Committee Action	Mtg. Date	Notes; Groups; groupings
BC1	Dain, AIA	Negative			
<b>PC1</b>	Toji	AS			

BC= Ballot Comment, PC= Public comment, **Bold Comment number** is proposed revision below

## 06-28 – 2021

### 604.9.7 (New)

**Proponent:** Gene Boecker, Code Consultants, Inc.

**Add new text as follows:**

#### SECTION 604 WATER CLOSETS AND TOILET COMPARTMENTS

#### 604.9 Wheelchair accessible toilet compartments.

**604.9.7 Identification.** The wheelchair accessible compartment shall be identified with the International Symbol for Accessibility complying with Section 703.6.3.1.

---

**REASON:** In a typical toilet room, the accessible compartment was usually identified by the wide door and extra wide blank panel next to it. However, recent design changes with full height panels or walls with standard doors and lever set hardware have created the condition where it is a game of hide and seek to find behind which door is the large compartment with grab bars. The trend toward gender neutral toilet rooms has led to designs with common lavatory areas and toilet compartments which are enclosed by walls and doors.

This is a similar provision to that for checkout aisles. Where not all the accessible, something needs to be done to identify the accessible element without trying to open all the doors.

Notes 9-22-2022: Committee discussed if the compartments should be identified. Moved to end of Chapter 6 or until the Communications task group has a symbol suggestion, whichever comes first.

**Committee Action:** Disapprove 25-2-2

#### **REPORT OF HEARING:**

**Modification (if any):**

**Committee Reason:** The committee was split on if this is designating a room or space, so it was not clear if this would have to meet all the signage requirements including raised, braille and placement next to the compartment door. Putting this identification on the compartment could be read to be wheelchairs only, like

parking. There are no clear requirements for size or location. Is this really a problem? The wheelchair stall is already easily identifiable by the wider door.

604.9-BOECKER.doc

## 06-28 – 2021 Ballot Comments

### BALLOT COMMENT 1- FIRST DRAFT:

Proponent: *Daniel Dain, AIA*

Desired Action: Negative with comment

Modification:

Reason: Agree in concept with identifying accessible compartments, especially ambulatory which often have same door sizes as non-accessible compartments and with flush and uniform panel and door designs it can be a game of hide and seek, and they're not always the one next to the wheelchair accessible compartment.

## 06-28 – 2021 Public Comment 1

604.9.7

**Proponent:** Sharon Toji

**Request As Submitted.**

**REASON:** Refer to Communications Task Group for recommendation.

**Committee Action for Public comment 1:**

**REPORT OF HEARING:**

**Modification (if any):**

**Committee Reason:**

06-28 Toji.doc

**Committee Action for First Ballot:**

**REPORT OF HEARING:**

**Modification (if any):**

**Committee Reason:**



**Report for 06-28– 2021**

<b>Committee decision: D</b>	<b>Committee Vote at Meeting: 25-2-2</b>	<b>Committee Vote on Ballot:39-1-1</b>
<b>REPORT OF HEARING:</b> The committee was split on if this is designating a room or space, so it was not clear if this would have to meet all the signage requirements including raised, braille and placement next to the compartment door. Putting this identification on the compartment could be read to be wheelchairs only, like parking. There are no clear requirements for size or location. Is this really a problem? The wheelchair stall is already easily identifiable by the wider door.		
Modification (if any):		
Committee Reason:		
<b>BALLOT COMMENT 1- FIRST DRAFT:</b>		
Proponent: <i>Daniel Dain, AIA</i>		
Desired Action: Negative with comment		
Modification:		
Reason: Agree in concept with identifying accessible compartments, especially ambulatory which often have same door sizes as non-accessible compartments and with flush and uniform panel and door designs it can be a game of hide and seek, and they're not always the one next to the wheelchair accessible compartment.		
<b>Committee decision: AS/AM/D</b>	<b>Committee Vote at Meeting:</b>	<b>Committee Vote on Ballot:</b>
<b>REPORT OF HEARING – FIRST DRAFT</b>		
Modification (if any):		
Committee Reason:		
<b>BALLOT COMMENT- SECOND DRAFT:</b>		
Proponent:		
Desired Action:		
Modification:		
Reason:		
<b>Committee decision: AS/AM/D</b>	<b>Committee Vote at Meeting:</b>	<b>Committee Vote on Ballot:</b>
<b>FINAL ACTION:</b>		
Modification (if any):		
Committee Reason:		

## 06-29 – 2021 overview

Proposal number	Proponent	Standard Sections	Committee Actions	Mtg. Date	Notes; Groups; groupings
06-29	Boecker	604.10.5( New), 604.10.6( New)	AS 17-6-4	9-22-2022	

Comment	Proponent	Requested Action	Committee Action	Mtg. Date	Notes; Groups; groupings
<b>BC1</b>	Paarlberg, ICC	Affirmative			

BC= Ballot Comment, PC= Public comment, **Bold Comment number** is proposed revision below

## 06-29 – 2021

### 604.10.5(New), 604.10.6(New)

**Proponent:** Gene Boecker, Code Consultants, Inc.

#### SECTION 604 WATER CLOSETS AND TOILET COMPARTMENTS

#### 604.10 Ambulatory accessible toilet compartments.

**Add new text as follows:**

**604.10.5. Height.** The height of water closet seats shall comply with Section 604.4.

**604.10.6 Dispensers.** Toilet paper dispensers shall comply with Section 604.7.

**REASON:** The height of the seat in the ambulatory compartment is interpreted as being the same as that for the wheelchair accessible compartment since the provisions are all in Section 604. The same is true for the toilet paper dispenser. The reasons for their placement is the specific locations is applicable to individuals needing both types of fixtures. However, because the wheelchair accessible compartment is deemed “accessible” the ambulatory compartment often does not get the same recognition. We frequently see these two elements improperly installed. If a little more ink will make it clear that the intent is the same for the ambulatory compartment as the wheelchair compartment, it will be a big help to proper installations.

**Committee Action:** 17-6-4 As Submitted

#### **REPORT OF HEARING:**

**Modification (if any):**

**Committee Reason:** The additional sections will provide references for items that are commonly missed for ambulatory compartments. However, there was a request to make this a complete list for ambulatory compartment requirements.

## 06-29 – 2021 Ballot Comments

### BALLOT COMMENT 1- FIRST DRAFT:

Proponent: Kimberly Paarlberg, ICC

Desired Action: Affirmative with comment

Modification: See Ballot Comment 1

## 06-29 – 2021 Ballot Comment 1

### 604.10.5-604.10.8

**Proponent: Kimberly Paarlberg, ICC**

Further modify as indicated in red.

### 604.10 Ambulatory accessible toilet compartments.

**604.10.1 General.** Ambulatory accessible toilet compartments shall comply with Section 604.10.

#### Figure 604.10.1

#### AMBULATORY COMPARTMENT

**604.10.2 Size.** The minimum area of an ambulatory accessible toilet compartment shall be 60 inches (1525 mm) minimum in depth and a width of 35 inches (890 mm) minimum and 37 inches (940 mm) maximum.

#### 06-25-2021 AM

**604.10.3 Doors.** Doors for ambulatory accessible toilet compartments compartment doors, including door hardware, shall comply with Section 404 Sections 404.2.2, 404.2.3.2, 404.2.4 and 404.2.9. The door shall be self-closing with a balanced door or spring hinges. Door hardware shall comply with Section 404.2.6. In addition a A door pull complying with Section 404.2.6 shall be placed on both sides of the door near the latch. Compartment doors shall not swing into the required minimum area of the compartment. Hinge and latch side of the doors are permitted to be oriented so that the door opens in the direction of the approach.

#### Exceptions:

1. Outside of the ambulatory accessible toilet compartment, the door is not required to comply with Section 404.2.3.2 where the approach is to the latch side of the compartment door, clearance between the door side of the compartment and any obstruction shall be is 42 inches (1065 mm) minimum.
2. Within the ambulatory accessible toilet compartment, maneuvering clearances at the door shall not be required to comply with Section 404 404.2.3.2.

**604.10.4 Grab bars.** Grab bars shall comply with Section 609. Side wall grab bars complying with Section 604.5.1 shall be provided on both sides of the compartment.

**604.10.5 Location.** The location of the water closet shall comply with Section 604.2.

#### 06-29-2021 AS

**604.10.6 604.10.5 Height.** The height of water closet seats shall comply with Section 604.4.

**604.10.7 Flush controls.** Flush controls shall comply with Section 604.6.

#### 06-29-2021 AS

**604.10.8 604.10.6 Dispensers.** Toilet paper dispensers shall comply with Section 604.7.

**REASON:** If the intent of the committee is to reference the requirements in 604.10 rather than rely on Section 604.1, this should be a complete list.

**Committee Action for Ballot Comment 1:**

**REPORT OF HEARING:**

**Modification (if any):**

**Committee Reason:**

06-29 Paarlberg.doc

**Committee Action for First Ballot:**

**REPORT OF HEARING:**

**Modification (if any):**

**Committee Reason:**

Report for 06-29-2021		
Committee decision: AS	Committee Vote at Meeting: 17-6-4	Committee Vote on Ballot: 39-1-1
<b>REPORT OF HEARING:</b>		
Modification (if any):		
Committee Reason: The additional sections will provide references for items that are commonly missed for ambulatory compartments. However, there was a request to make this a complete list for ambulatory compartment requirements.		
<b>BALLOT COMMENT 1- FIRST DRAFT:</b>		
Proponent: Kimberly Paarlberg, ICC		
Desired Action: Affirmative with comment		
Modification:		
Further modify as indicated in red.		
<b>604.10 Ambulatory accessible toilet compartments.</b>		
<b>604.10.1 General.</b> Ambulatory accessible toilet compartments shall comply with Section 604.10.		
<b>Figure 604.10.1</b>		
AMBULATORY COMPARTMENT		
<b>604.10.2 Size.</b> The minimum area of an ambulatory accessible toilet compartment shall be 60 inches (1525 mm) minimum in depth and a width of 35 inches (890 mm) minimum and 37 inches (940 mm) maximum.		
<b>06-25-2021 AM</b>		
<b>604.10.3 Doors.</b> Doors for ambulatory accessible toilet compartments, including door hardware, shall comply with Section 404 Sections 404.2.2, 404.2.3.2, 404.2.4 and 404.2.9. The door shall be self-closing with a balanced door or spring hinges. Door hardware shall comply with Section 404.2.6. In addition a A door pull complying with Section 404.2.6 shall be placed on both sides of the door near the latch. Compartment doors shall not swing into the required minimum area of the compartment. Hinge and latch side of the doors are permitted to be oriented so that the door opens in the direction of the approach.		
<b>Exceptions:</b>		
1. Outside of the ambulatory accessible toilet compartment, the door is not required to comply with Section 404.2.3.2 where the approach is to the latch side of the compartment door, clearance between the door side of the compartment and any obstruction shall be is 42 inches (1065 mm) minimum.		

**Report for 06-29-2021**

2. Within the ambulatory accessible toilet compartment, maneuvering clearances at the door shall not be required to comply with Section **404.2.3.2**.

**604.10.4 Grab bars.** Grab bars shall comply with Section 609. Side wall grab bars complying with Section 604.5.1 shall be provided on both sides of the compartment.

**604.10.5 Location.** The location of the water closet shall comply with Section 604.2.

**06-29-2021 AS**

**604.10.6 ~~604.10.5~~ Height.** The height of water closet seats shall comply with Section 604.4.

**604.10.7 Flush controls.** Flush controls shall comply with Section 604.6.

**06-29-2021 AS**

**604.10.8 ~~604.10.6~~ Dispensers.** Toilet paper dispensers shall comply with Section 604.7.

Reason: If the intent of the committee is to reference the requirements in 604.10 rather than rely on Section 604.1, this should be a complete list.

<b>Committee decision: AS/AM/D</b>	<b>Committee Vote at Meeting:</b>	<b>Committee Vote on Ballot:</b>
<b>REPORT OF HEARING – FIRST DRAFT</b>		
Modification (if any):		
Committee Reason:		
<b>BALLOT COMMENT- SECOND DRAFT:</b>		
Proponent:		
Desired Action:		
Modification:		
Reason:		
<b>Committee decision: AS/AM/D</b>	<b>Committee Vote at Meeting:</b>	<b>Committee Vote on Ballot:</b>
<b>FINAL ACTION:</b>		
Modification (if any):		
Committee Reason:		

## 06-30– 2021 overview

Proposal number	Proponent	Standard Sections	Committee Actions	Mtg. Date	Notes; Groups; groupings
06-30	Boecker	604.10.5( New), 703.6.3.5( New), Figure 703.6.3.5( New)	D 25-2-2	12-1-2022	

Comment	Proponent	Requested Action	Committee Action	Mtg. Date	Notes; Groups; groupings
BC1	Pace, HUD	Affirmative			
<b>PC1</b>	Toji	AS			

BC= Ballot Comment, PC= Public comment, **Bold Comment number** is proposed revision below

## 06-30 – 2021

**604.10.5(New), 703.6.3.5(New), Figure 703.6.3.5(New)**

**Proponent:** Gene Boecker, Code Consultants, Inc.

### SECTION 604 WATER CLOSETS AND TOILET COMPARTMENTS

**Add new text as follows:**

**604.10 Ambulatory accessible toilet compartments.**

**604.10.5 Identification.** The ambulatory stall shall be identified with the United Nations Symbol for Elderly complying with Section 703.6.3.5.

**703.6 Symbols of accessibility.**

**703.6.3.5 Symbol for the elderly.** The ambulatory stall shall be identified by the United Nations Symbol for the Elderly complying with Figure 703.6.3.5



**FIGURE 703.6.3.5**  
**UNITED NATIONS SYMBOL FOR THE ELDERLY**

---

**REASON:** In a typical toilet room, the ambulatory compartment was usually identified by the wide out-swinging door and loop handle. However, recent design changes with full height panels or walls with standard doors and lever set hardware have created the condition where it is a game of hide and seek to find behind which door is the ambulatory compartment. The trend toward gender neutral toilet rooms has led to designs with common lavatory areas and toilet compartments which are enclosed by walls and doors.

This is a similar provision to that for checkout aisles. Where not all the accessible, something needs to be done to identify the accessible element without trying to open all the doors.

A new symbol is being proposed for inclusion as a result of the need to identify the ambulatory compartment. This symbol is the recommended symbol for “elderly” according to the United Nations Office for the Coordination of Humanitarian Affairs (UNOCHA). After a search of multiple symbols for this use, the most easily recognizable one was this symbol.

Additional information can be found at <https://thenounproject.com/ochavisual/collection/ocha-humanitarian-icons-v02/>

Notes 9-22-2022: Committee discussed if the compartments should be identified. Moved to end of Chapter 6 or until the Communications task group has a symbol suggestion, whichever comes first.

**Committee Action:** Disapprove 20-2-2

**REPORT OF HEARING:**

**Modification (if any):**

**Committee Reason:** The committee felt the choice of symbol was not appropriate, and there was no agreement for any other alternatives shown during the discussion. There were also the same concerns for this being a space designation and having to comply with the signage requirements or raised, braille and placement. This compartment also has a door wider than typical compartments and swings out instead of in, so you should be able to identify this compartment without signage.

**604.10.5-BOECKER.doc**

---

**06-30 – 2021 Ballot Comments**

**BALLOT COMMENT 1- FIRST DRAFT:**

Proponent: *Rex Pace, HUD*

Desired Action: Affirmative with comment

Modification:

Reason: Conceptually, this proposal makes sense and the aim is supported. Additionally, disagree with the committee’s reasoning and accept the proposition that the ambulatory accessible toilet compartment can be difficult to identify when the compartment door is closed and agree with the proponent that door width/size alone is not a sufficient designation. Concurrence with disapproval is based on a lack of consensus of an appropriate symbol to be used to identify the compartment but if resolved would support the proposal. More investigation and analysis will be required for this aspect of any future proposal

**06-30 – 2021 Public Comment 1  
102.1**

**Proponent:** Sharon Toji

**Request As Submitted.**

---

**REASON:** Refer to Communications Task Group for recommendation.

---

**Committee Action for Public Comment 1:**

**REPORT OF HEARING:**

**Modification (if any):**

**Committee Reason:**

**06-30 Toji.doc**

---

**Committee Action for First Ballot:**

**REPORT OF HEARING:**

**Modification (if any):**

**Committee Reason:**

<b>Report for 06-30– 2021</b>		
<i>Committee decision: D</i>	<i>Committee Vote at Meeting: 20-2-2</i>	<i>Committee Vote on Ballot:39-1-1</i>
<b>REPORT OF HEARING:</b>		
Modification (if any):		
Committee Reason: The committee felt the choice of symbol was not appropriate, and there was no agreement for any other alternatives shown during the discussion. There were also the same concerns for this being a space designation and having to comply with the signage requirements or raised, braille and placement. This compartment also has a door wider than typical compartments and swings out instead of in, so you should be able to identify this compartment without signage.		



**Report for 06-30– 2021**

**BALLOT COMMENT 1- FIRST DRAFT:**

Proponent: *Rex Pace, HUD*

Desired Action: Affirmative with comment

Modification:

Reason: Conceptually, this proposal makes sense and the aim is supported. Additionally, disagree with the committee's reasoning and accept the proposition that the ambulatory accessible toilet compartment can be difficult to identify when the compartment door is closed and agree with the proponent that door width/size alone is not a sufficient designation. Concurrence with disapproval is based on a lack of consensus of an appropriate symbol to be used to identify the compartment but if resolved would support the proposal. More investigation and analysis will be required for this aspect of any future proposal

**Committee decision: AS/AM/D**

**Committee Vote at Meeting:**

**Committee Vote on Ballot:**

**REPORT OF HEARING – FIRST DRAFT**

Modification (if any):

Committee Reason:

**BALLOT COMMENT- SECOND DRAFT:**

Proponent:

Desired Action:

Modification:

Reason:

**Committee decision: AS/AM/D**

**Committee Vote at Meeting:**

**Committee Vote on Ballot:**

**FINAL ACTION:**

Modification (if any):

Committee Reason:

## 06-32 – 2021 overview

Proposal number	Proponent	Standard Sections	Committee Actions	Mtg. Date	Notes; Groups; groupings
06-32	Williams	605.3	AS 14-10-2	9-22-2022	staff note for conflict between 06-32 and 06-34

Comment	Proponent	Requested Action	Committee Action	Mtg. Date	Notes; Groups; groupings
BC1	Dain, AIA	Affirmative			
<b>BC2</b>	Paarlberg, ICC	Negative			Editorial
<b>PC1</b>	Terminology	AM			Editorial

BC= Ballot Comment, PC= Public comment, **Bold Comment number** is proposed revision below

## 06-32 – 2021 605.3

**Proponent:** Richard Williams, CWA Consultants representing self

**Revise as follows:**

### SECTION 605 URINALS

**605.3 Clear Floor Space.** A clear floor space complying with Section 305.3, positioned for forward approach, shall be provided. Where the depth of the forward approach to the urinal exceeds 24 inches (610 mm), the width of the clear floor space shall be a minimum 36 inches (914 mm) and shall comply with Section 305.7.2.

**REASON:** The proposed change to Section 605.3 is an attempt to clarify the requirement for additional clear floor space with for urinals when the depth of surrounding walls or partitions exceeds 24". This proposal does not change the requirement but as is currently written, we find this increased width requirement is often overlooked by designers. Adding the reference to Section 305.7.2 will help to clarify this requirement.

**Committee Action:** 14-10-2 As Submitted

**REPORT OF HEARING:**

**Modification (if any):**

**Committee Reason:** While the committee felt that it is important to remind designers that a urinal might be in an alcove and then the approach would be wider, the text should not repeat the requirements in the alcove building block in Section 305.7.2. Public comments are expected to address this.

**605.3\_Williams.doc**

## 06-32 – 2021 Ballot Comments

**BALLOT COMMENT 1- FIRST DRAFT:**

Proponent: *Daniel Dain, AIA*

Desired Action: Affirmative with comment

Modification: See Ballot Comment 1

**BALLOT COMMENT 2- FIRST DRAFT:**

Proponent: *Kimberly Paarlberg, ICC*

Desired Action: Negative with comment

Modification: See Baollot Comment 2

**2021 Ballot Comment 1**  
**605.3**

**Proponent: Dan Dain, AIA**

**Further modify the proposal:**

**605.3 Clear Floor Space.** A clear floor space complying with Section 305.3, positioned for forward approach, shall be provided. Where the depth of the forward approach to the urinal exceeds 24 inches (610 mm), ~~the width of the clear floor space shall be a minimum 36 inches (914 mm) and shall~~ comply with Section 305.7.2.

**-or-**

**Further modify the proposal:**

**605.3 Clear Floor Space.** A clear floor space complying with Section 305, positioned for forward approach, shall be provided. ~~Where the depth of the forward approach to the urinal exceeds 24 inches (610 mm), the width of the clear floor space shall be a minimum 36 inches (914 mm) and shall comply with Section 305.7.2.~~

---

**REASON:** Not opposed to the intent. Several references to 305.3 are so specific they miss some of the other applicable parts of 305, not to mention 305.2.

---

**Committee Action for Ballot Comment 1:**

**REPORT OF HEARING:**

**Modification (if any):**

**Committee Reason:**

**06-32 Dain.doc**

---

**06-32 – 2021 Ballot Comment 2**  
**605.3**

**Proponent: Kimberly Paarlberg, ICC**

**Further modify as follows:**

**605.3 Clear Floor Space.** A clear floor space complying with Section 305.3, positioned for forward approach, shall be provided measured from the front, exterior the rim of the urinal. Where the clear floor space in front of the urinal is confined on both sides of the clear floor space, the alcove shall comply with Section 305.7.2. ~~Where the depth of the forward approach to the urinal exceeds 24 inches (610 mm), the width of the clear floor space shall be a minimum 36 inches (914 mm) and shall comply with Section 305.7.2.~~

---

**REASON:** There needs to be coordination between 06-32-21 and 06-34-22. This modification would specify the location of the clear floor space so someone would stand at the urinal, and provide a reminder for the alcove provisions.

**This is what was approved.**

**06-32-2021 AS**

**605.3 Clear Floor Space.** A clear floor space complying with Section 305.3, positioned for forward approach, shall be provided. Where the depth of the forward approach to the urinal exceeds 24 inches (610 mm), the width of the clear floor space shall be a minimum 36 inches (914 mm) and shall comply with Section 305.7.2.

**06-34-2021 AM**

**605.3 Clear floor space.** A clear floor space complying with Section 305 positioned for forward approach shall be provided measured from the front, exterior the rim of the urinal.

**06-34-2021 AM**

**605.4 Flush controls.** Flush controls shall be hand operated or automatic. Hand operated flush controls shall comply with Section 309.

**Exception:** The clear floor space shall not be required to extend under the urinal for the purposes of Section 308.2 where the controls have a high reach of 44 inches (1120 mm) maximum.

---

**Committee Action for Ballot Comment 2:**

**REPORT OF HEARING:**

**Modification (if any):**

**Committee Reason:**

**06-32 Paarlberg.doc**

---

**06-32 – 2021 Public Comment 1**

**605.3**

**Proponent:** Marsha Mazz, representing the Terminology Task Group

**Further revise as follows:**

**SECTION 605  
URINALS**

**605.3 Clear Floor Space.** A clear floor space ~~complying with Section 305.3~~, positioned for forward approach, shall be provided. ~~Where the depth of the forward approach to the urinal exceeds 24 inches (610 mm), the width of the clear floor space shall be a minimum 36 inches (914 mm) and alcove shall comply with Section 305.7.2.~~

**REASON:** This is part of a proposal from the Terminology task group to define the building blocks so that a reference is not required. This public comment is included here because it was part of new text. Please see the complete proposal for additional information.

**Committee Action for Public Comment 1:**

**REPORT OF HEARING:**

**Modification (if any):**

**Committee Reason:**

**06-32 Terminology.doc**

**Committee Action for First Ballot:**

**REPORT OF HEARING:**

**Modification (if any):**

**Committee Reason:**

<b>Report for 06-32– 2021</b>		
<i>Committee decision: AS</i>	<i>Committee Vote at Meeting: 14-10-2</i>	<i>Committee Vote on Ballot:38-2-1</i>
<b>REPORT OF HEARING:</b>		
Modification (if any):		
Committee Reason: While the committee felt that it is important to remind designers that a urinal might be in an alcove and then the approach would be wider, the text should not repeat the requirements in the alcove building block in Section 305.7.2. Public comments are expected to address this.		
<b>BALLOT COMMENT 1- FIRST DRAFT:</b>		
Proponent: <i>Daniel Dain, AIA</i>		
Desired Action: Affirmative with comment		
Modification:		
<b>Further modify the proposal:</b>		
<b>605.3 Clear Floor Space.</b> A clear floor space complying with Section 305.3, positioned for forward approach, shall be provided. Where the depth of the forward approach to the urinal exceeds 24 inches (610 mm), comply with Section 305.7.2.		
<b>Alternate:</b>		
<b>605.3 Clear Floor Space.</b> A clear floor space complying with Section 305, positioned for forward approach, shall be provided.		
<b>Reason:</b> Not opposed to the intent. Several references to 305.3 are so specific they miss some of the other applicable parts of 305, not to mention 305.2.		
<b>BALLOT COMMENT 2- FIRST DRAFT:</b>		
Proponent: <i>Kimberly Paarlberg, ICC</i>		
Desired Action: Negative with comment		
Modification:		
<b>Further modify as follows:</b>		

**Report for 06-32– 2021**

**605.3 Clear Floor Space.** A clear floor space complying with Section 305.3, positioned for forward approach, shall be provided measured from the front, exterior the rim of the urinal. Where the clear floor space in front of the urinal is confined on both sides of the clear floor space, the alcove shall comply with Section 305.7.2. Where the depth of the forward approach to the urinal exceeds 24 inches (610 mm), the width of the clear floor space shall be a minimum 36 inches (914 mm) and shall comply with Section 305.7.2.

**Reason:** There needs to be coordination between 06-32-21 and 06-34-22. This modification would specify the location of the clear floor space so someone would stand at the urinal, and provide a reminder for the alcove provisions.

This is what was approved.

**06-32-2021 AS**

**605.3 Clear Floor Space.** A clear floor space complying with Section 305.3, positioned for forward approach, shall be provided. Where the depth of the forward approach to the urinal exceeds 24 inches (610 mm), the width of the clear floor space shall be a minimum 36 inches (914 mm) and shall comply with Section 305.7.2.

**06-34-2021 AM**

**605.3 Clear floor space.** A clear floor space complying with Section 305 positioned for forward approach shall be provided measured from the front, exterior the rim of the urinal.

**06-34-2021 AM**

**605.4 Flush controls.** Flush controls shall be hand operated or automatic. Hand operated flush controls shall comply with Section 309.

Exception: The clear floor space shall not be required to extend under the urinal for the purposes of Section 308.2 where the controls have a high reach of 44 inches (1120 mm) maximum.

**Committee decision: AS/AM/D**

**Committee Vote at Meeting:**

**Committee Vote on Ballot:**

**REPORT OF HEARING – FIRST DRAFT**

Modification (if any):

Committee Reason:

**BALLOT COMMENT- SECOND DRAFT:**

Proponent:

Desired Action:

Modification:

Reason:

**Committee decision: AS/AM/D**

**Committee Vote at Meeting:**

**Committee Vote on Ballot:**

**FINAL ACTION:**

Modification (if any):

Committee Reason:

## 06-33 – 2021 overview

Proposal number	Proponent	Standard Sections	Committee Actions	Mtg. Date	Notes; Groups; groupings
06-33	Paarlberg	605.5 (New), 605.5.1 (New), 605.5.2 (New), 605.5.3 (New)	D 19-2-3	9-22-2022	

Comment	Proponent	Requested Action	Committee Action	Mtg. Date	Notes; Groups; groupings
BC1	Paarlberg	Negative			
<b>PC1</b>	Toji	AS			

BC= Ballot Comment, PC= Public comment, **Bold Comment number** is proposed revision below

## 06-33 – 2021

**605.5(New), 605.5.1(New), 605.5.2(New), 605.5.3(New)**

**Proponent:** Kimberly Paarlberg, International Code Council

Add new text as follows:

### SECTION 605 URINALS

**605.5 Urinal compartments.** Urinal compartments, where provided shall comply with Section 605.5.

**605.5.1 Size.** The minimum area of a urinal compartment shall be 60 inches (1525 mm) minimum in depth and a width of 35 inches (890 mm) minimum and 37 inches (940 mm) maximum.

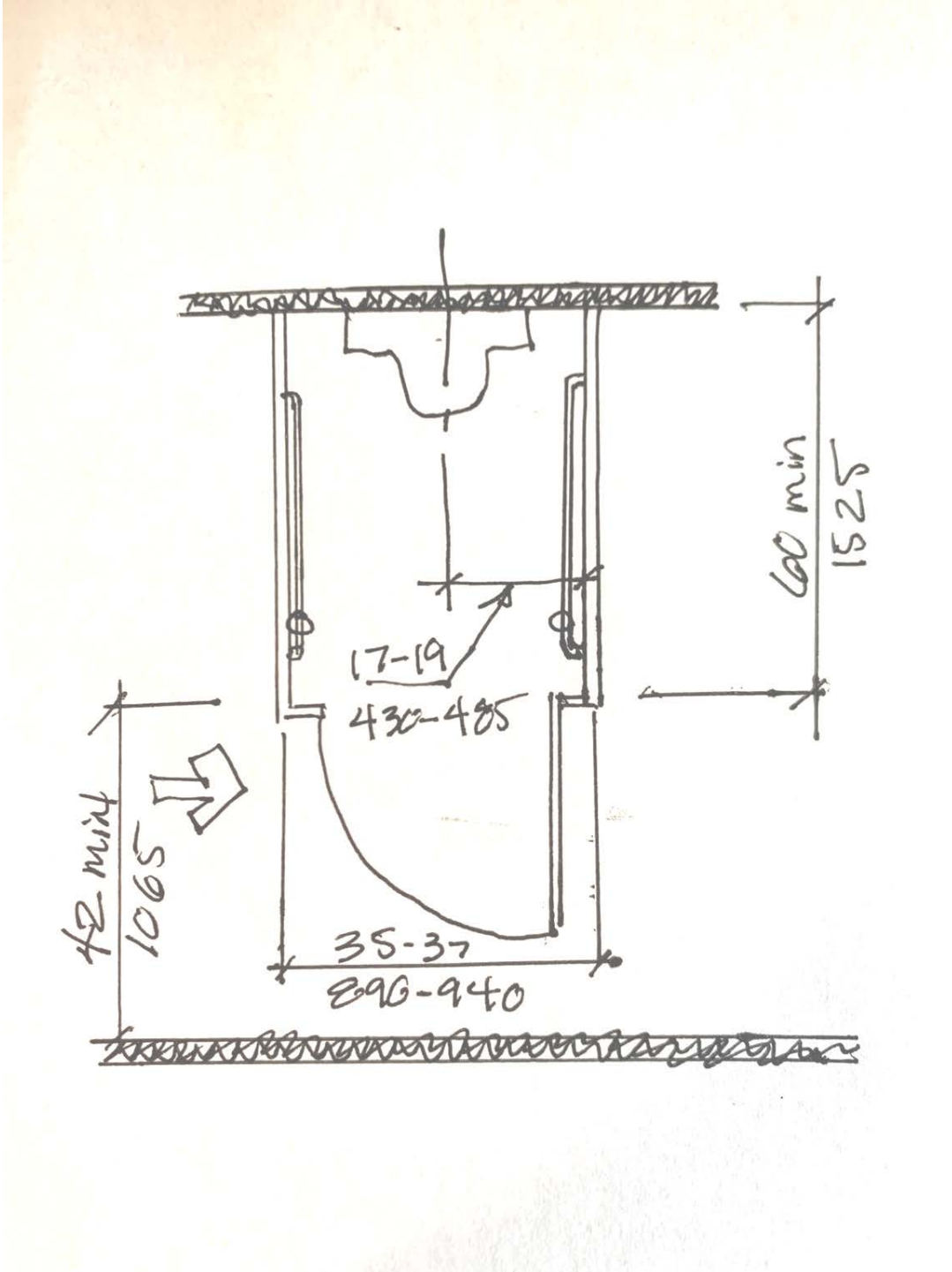
**605.5.2 Doors.** Doors for urinal compartments shall comply with Sections 404.2.2, 404.2.3.2, 404.2.4 and 404.2.9. The door shall be self-closing with a balanced door or spring hinges. Door hardware shall comply with Section 404.2.6. In addition a door pull complying with Section 404.2.6 shall be placed on both sides of the door near the latch. Compartment doors shall not swing into the required minimum area of the compartment.

#### **Exceptions:**

1. Outside of the urinal compartment, the door shall not be required to comply with Section 404.2.3.2 where the approach is to the latch side of the compartment door, clearance between the door side of the compartment and any obstruction is 42 inches (1065 mm) minimum. Hinge and latch side of the doors are permitted to be oriented so that the door opens in the direction of the approach.
2. Within the ambulatory accessible toilet compartment, maneuvering clearances at the door shall not be required to comply with Section 404.2.3.2.

**605.5.3 Grab bars.** Grab bars shall comply with Section 609. Horizontal side wall grab bars complying with Section 604.5.1.1 shall be provided on both sides of the compartment.

**REASON:** The 2021 IPC and IBC allows gender neutral multi-stall toilet rooms. For privacy, this may result in the required accessible urinal being located in a compartment. It is my understanding that persons choosing to use the urinal instead of transferring to the water closet will have some weight bearing ability, therefore, this proposal is based on an ambulatory stall requirement.





**SECTION 403**  
**MINIMUM PLUMBING FACILITIES**

403.1.1 Fixture calculations. To determine the occupant load of each sex, the total occupant load shall be divided in half. To determine the required number of fixtures, the fixture ratio or ratios for each fixture type shall be applied to the occupant load of each sex in accordance with Table 403.1. Fractional numbers resulting from applying the fixture ratios of Table 403.1 shall be rounded up to the next whole number. For calculations involving multiple occupancies, such fractional numbers for each occupancy shall first be summed and then rounded up to the next whole number.

**Exceptions:**

1. The total occupant load shall not be required to be divided in half where *approved* statistical data indicate a distribution of the sexes of other than 50 percent of each sex.
2. Where multiple-user facilities are designed to serve all genders, the minimum fixture count shall be calculated 100 percent, based on total occupant load. In such multiple-user facilities, each fixture type shall be in accordance with ICC A117.1 and each urinal that is provided shall be located in a stall.
3. Distribution of the sexes is not required where single-user water closets and bathing room fixtures are provided in accordance with Section 403.1.2.

403.2 Separate facilities. Where plumbing fixtures are required, separate facilities shall be provided for each sex.

**Exceptions:**

1. Separate facilities shall not be required for dwelling units and sleeping units.
2. Separate facilities shall not be required in structures or tenant spaces with a total occupant load, including both employees and customers, of 15 or fewer.
3. Separate facilities shall not be required in mercantile occupancies in which the maximum occupant load is 100 or fewer.
4. Separate facilities shall not be required in business *occupancies* in which the maximum occupant load is 25 or fewer.
5. Separate facilities shall not be required to be designated by sex where single-user toilet rooms are provided in accordance with Section 403.1.2.
6. Separate facilities shall not be required where rooms having both water closets and lavatory fixtures are designed for use by both sexes and privacy for water closets is provided in accordance with Section 405.3.4. Urinals shall be located in an area visually separated from the remainder of the facility or each urinal that is provided shall be located in a stall.

---

**Committee Action:**      19-2-3                      Disapproved

**REPORT OF HEARING:**

**Modification (if any):**

**Committee Reason:** The committee felt that additional information on the use of urinals by persons with disabilities is needed to determine if an ambulatory type compartment or a wheelchair accessible type

compartment is needed. With the more common design of multi-gender toilet room this is a gap in the current standard.

---

## 06-33 – 2021 Ballot Comments

BALLOT COMMENT 1- FIRST DRAFT:	
Proponent:	<i>Kimberly Paarlberg, ICC</i>
Desired Action:	Negative with comment
Modification:	
Reason:	Request reconsideration for As Submitted. The ICC continues to get many questions about gender neutral toilet rooms. The changes for 06-32 and 06-34 appear to back up my assumption that access to a urinal is utilized by persons with some weight bearing. Thus a compartment similar to an ambulatory stall is appropriate for accessible lavatories. Remember that there will always be an accessible toilet compartment in the same room.

## 06-33 – 2021 Public Comment 1 605

**Proponent:** Sharon Toji

**Further revise as follows:**

No text for signage was suggested in the proposal.

---

**REASON:** Refer to Communications Task Group for recommendation.

---

**Committee Action for Public Comment:**

**REPORT OF HEARING:**

**Modification (if any):**

**Committee Reason:**

06-33 Toji.doc

---

**Committee Action for First Ballot:**

**REPORT OF HEARING:**

**Modification (if any):**

**Committee Reason:**

<b>Report for 06-33– 2021</b>		
<b>Committee decision: D</b>	<b>Committee Vote at Meeting: 19-2-3</b>	<b>Committee Vote on Ballot:39-1-1</b>
<b>REPORT OF HEARING:</b>		
Modification (if any):		
Committee Reason: The committee felt that additional information on the use of urinals by persons with disabilities is needed to determine if an ambulatory type compartment or a wheelchair accessible type compartment is needed. With the more common design of multi-gender toilet room this is a gap in the current standard.		
<b>BALLOT COMMENT 1- FIRST DRAFT:</b>		
Proponent: <i>Kimberly Paarlberg, ICC</i>		
Desired Action: Negative with comment		
Modification:		
Reason: The ICC continues to get many questions about gender neutral toilet rooms. The changes for 06-32 and 06-34 appear to back up my assumption that access to a urinal is utilized by persons with some weight bearing. Thus a compartment similar to an ambulatory stall is appropriate for accessible lavatories. Remember that there will always be an accessible toilet compartment in the same room. Request reconsideration.		
<b>Committee decision: AS/AM/D</b>	<b>Committee Vote at Meeting:</b>	<b>Committee Vote on Ballot:</b>
<b>REPORT OF HEARING – FIRST DRAFT</b>		
Modification (if any):		
Committee Reason:		
<b>BALLOT COMMENT- SECOND DRAFT:</b>		
Proponent:		
Desired Action:		
Modification:		
Reason:		
<b>Committee decision: AS/AM/D</b>	<b>Committee Vote at Meeting:</b>	<b>Committee Vote on Ballot:</b>
<b>FINAL ACTION:</b>		
Modification (if any):		
Committee Reason:		

## 06-34 – 2021 overview

Proposal number	Proponent	Standard Sections	Committee Actions	Mtg. Date	Notes; Groups; groupings
06-34	Boecker	605.3, 605.4	AM 26-3-1	10-6-2022	staff note for conflict between 06-32 and 06-34

Comment	Proponent	Requested Action	Committee Action	Mtg. Date	Notes; Groups; groupings
BC1	Dain, AIA	Negative			
BC2	Paarlberg, ICC	Negative			Editorial
<b>PC1</b>	Terminology	AM			Editorial
<b>PC2</b>	Stratton	AM			

BC= Ballot Comment, PC= Public comment, **Bold Comment number** is proposed revision below

## 06-34 – 2021 605.3, 605.4

**Proponent:** Gene Boecker, Code Consultants, Inc.

**Revise as follows:**

### SECTION 605 URINALS

**605.3 Clear floor space.** A clear floor space positioned for forward approach shall be provided measured from front, exterior the rim of the urinal.

**605.4 Flush controls.** Flush controls shall be hand operated or automatic. Hand operated flush controls shall comply with Section 309.

**Exception:** The clear floor space shall not be required to extend under the urinal for the purposes of Section 308.2 where the controls have a high reach of 44 inches (1120 mm) maximum.

**REASON:** These two proposals seek to address commonly understood but not written ways that the provisions are interpreted. First, due to the height and configuration of the urinal, a clear floor space cannot be provided under the urinal so the measurement must begin at the front rim of the fixtures. However, this creates a problem for proper application of the flush control section. Now that we clearly state in 308.2.2 that the “knee and toe clearance complying with Section 306 shall extend beneath the element for a distance not less than the required reach depth over the obstruction” the text effectively prohibits a flush control that does not project at least as far from the wall as the rim of the urinal. This type of configuration has never been applied and would interfere with the effective use of the urinal.

The exception recognizes the fact that the reach must by necessity be further than the obstruction and reinserts the 44-inch height that was in earlier editions of the A117.1 and ADAAG. It is also consistent with the height noted in the California Building Code’s amended text for urinal flush control height. Together, these two provisions put in writing the manner in which these provisions have been interpreted.

## 06-34 – 2021 Modification 605.3, 605.4

**Proponent:** Gene Boecker, Code Consultants, Inc.

**Further revise as follows:**

### SECTION 605 URINALS

**605.3 Clear floor space.** A clear floor space complying with Section 305 positioned for forward approach shall be provided measured from the front, exterior the rim of the urinal.

**605.4 Flush controls.** Flush controls shall be hand operated or automatic. Hand operated flush controls shall comply with Section 309.

**Exception:** The clear floor space shall not be required to extend under the urinal for the purposes of Section 308.2 where the controls have a high reach of 44 inches (1120 mm) maximum.

---

Reason:

There are two modifications. The first is to make it clear that the clear floor space must comply with all the provisions of Section 305, including any alcove conditions. By referring to Section 305, not only the floor space dimensions but all parts of 305 come into play. This is often considered intuitive, but the added language will make it clear to the novice standard user. The second modification is essentially editorial.

**Committee Action:** AM 26-3-1

### REPORT OF HEARING:

**Modification (if any):**

**Further modify as follows:**

### SECTION 605 URINALS

**605.3 Clear floor space.** A clear floor space complying with Section 305 positioned for forward approach shall be provided measured from the front, exterior ~~the~~ of the urinal rim ~~of the urinal~~.

**605.4 Flush controls.** Flush controls shall be hand operated or automatic. Hand operated flush controls shall comply with Section 309.

**Exception:** The clear floor space shall not be required to extend under the urinal for the purposes of Section 308.2 where the controls have a high reach of 44 inches (1120 mm) maximum.

**Committee Reason:** The modification to add a reference to Section 305 in Section 605.3 emphasizes that a urinal may be in an alcove due to walls, partitions or privacy screens. Thus the space between the partitions may need to be 36" instead of 30". The proposal provides direction for where to measure the clear floor space at the urinal. It needs to be in front of the urinal, since the person stands to use the urinal. Section 605.4 would require the clear floor space under the urinal for access to controls. Per the exception, assuming

the clear floor space is now in front of the urinal, the access to the controls could meet the criteria for obstructed forward reach.

## 06-34 – 2021 Ballot Comments

### BALLOT COMMENT 1- FIRST DRAFT:

Proponent: *Daniel Dain, AIA*

Desired Action: Negative with comment

Modification:

Reason: The clear floor space includes knee and toe clearance, reference figure 306.2(B) and figure 306.3(B) and ends at the centerline of the controls, just like it does at a sink, refer to figure 606.3. If the committee is now saying that the clear floor space stops at the face of the obstruction, then so does the toe clearance, therefore so does the reach range. This change would allow the urinal to go straight to the floor, or the wall bump out or other impediment could limit a person's ability to get their wheelchair and feet under the urinal to properly position themselves. There's a reason 605.2 requires the outer face of the urinal rim to be 13 ½" from the wall surface. This proposal is equivalent to trying to change the clear floor space for a sink to stop at the outer face of rim or edge of countertop, completely negating the knee and toe clearance needed for persons in wheelchairs to be able to use the fixture.

### BALLOT COMMENT 2- FIRST DRAFT:

Proponent: *Kimberly Paarlberg, ICC*

Desired Action: Negative with comment

Modification: See Ballot Comment 2

## 06-34 – 2021 Ballot Comment 2

### 605.4

**Proponent:** Kimberly Paarlberg, ICC

**Further modify as follows:**

**605.3 Clear Floor Space.** A clear floor space complying with Section 305.3, positioned for forward approach, shall be provided measured from the front, exterior the rim of the urinal and comply with Section 305.7.2.

**605.4 Flush controls.** Flush controls shall be hand operated or automatic. Hand operated flush controls shall comply with Section 309.

**Exception:** The clear floor space shall not be required to extend under the urinal ~~for the purposes of Section 308.2~~ access to flush controls where the operable parts of the flush controls have a high reach of are 44 inches (1120 mm) maximum above the floor.

**REASON:** There needs to be coordination between 06-32-21 and 06-34-22. This modification would specify the location of the clear floor space so someone would stand at the urinal, and provide a reminder for

the alcove provisions. This is similar to what the committee approved for transfer showers in 06-60-2021 Section 608.2.1.2.1. The change to 605.3 is for clarity.

**This is what was approved.**

**06-32-2021 AS**

**605.3 Clear Floor Space.** A clear floor space complying with Section 305.3, positioned for forward approach, shall be provided. Where the depth of the forward approach to the urinal exceeds 24 inches (610 mm), the width of the clear floor space shall be a minimum 36 inches (914 mm) and shall comply with Section 305.7.2.

**06-34-2021 AM**

**605.3 Clear floor space.** A clear floor space complying with Section 305 positioned for forward approach shall be provided measured from the front, exterior the rim of the urinal.

**06-34-2021 AM**

**605.4 Flush controls.** Flush controls shall be hand operated or automatic. Hand operated flush controls shall comply with Section 309.

**Exception:** The clear floor space shall not be required to extend under the urinal for the purposes of Section 308.2 where the controls have a high reach of 44 inches (1120 mm) maximum.

---

**Committee Action for Ballot Comment 2:**

**REPORT OF HEARING:**

**Modification (if any):**

**Committee Reason:**

**06-54 Paarlberg.doc**

---

**06-34 – 2021 Public Comment 1**  
**605.3**

**Proponent:** Marsha Mazz, representing the Terminology Task Group

**Further revise as follows:**

**SECTION 605**  
**URINALS**

**605.3 Clear floor space.** A clear floor space ~~complying with Section 305~~ positioned for forward approach shall be provided measured from the front, exterior the rim of the urinal.

**605.4 Flush controls.** Flush controls shall be hand operated or automatic. Hand operated flush controls shall comply with ~~Section 309-operable parts~~.

**Exception:** The clear floor space shall not be required to extend under the urinal for the ~~purposes of Section 308.2~~ an unobstructed forward reach where the controls have a high forward reach of 44 inches (1120 mm) maximum.

---

**REASON:** This is part of a proposal from the Terminology task group to define the building blocks so that a reference is not required. This public comment is included here because it was part of new text. Please see the complete proposal for additional information.

---

**Committee Action for Public Comment 1:**

**REPORT OF HEARING:**

**Modification (if any):**

**Committee Reason:**

**06-34 Terminology.doc**

---

## **06-34 – 2021 Public Comment 2**

### **102.1**

**Proponent:** Peter Stratton, Steven Winter Associates, Inc.

**Further revise as follows:**

#### **SECTION 605**

#### **URINALS**

**605.3 Clear floor space.** A clear floor space complying with Section 305 positioned for forward approach shall be provided measured from the front, exterior side of the rim of the urinal.

---

**REASON:** As originally proposed, it is not written correctly.  
(Staff Note: This section was also revised by 06-32 AS)

**Committee Action for Public Comment 3:**

**REPORT OF HEARING:**

**Modification (if any):**

**Committee Reason:**

**06-34 Stratton.doc**

---

**Committee Action for First Ballot:**



# REPORT OF HEARING:

## Modification (if any):

## Committee Reason:

Report for 06-34– 2021		
Committee decision: AM	Committee Vote at Meeting: 26-3-1	Committee Vote on Ballot: 38-2-1
REPORT OF HEARING: Modification (if any):		
<b>SECTION 605 URINALS</b>		
<b>605.3 Clear floor space.</b> A clear floor space <u>complying with Section 305</u> positioned for forward approach shall be provided measured from <u>the front, exterior the of the urinal rim of the urinal.</u>		
<b>605.4 Flush controls.</b> Flush controls shall be hand operated or automatic. Hand operated flush controls shall comply with Section 309. <b>Exception:</b> The clear floor space shall not be required to extend under the urinal for the purposes of Section 308.2 where the controls have a high reach of 44 inches (1120 mm) maximum.		
Committee Reason: The modification to add a reference to Section 305 in Section 605.3 emphasizes that a urinal may be in an alcove due to walls, partitions or privacy screens. Thus the space between the partitions may need to be 36" instead of 30". The proposal provides direction for where to measure the clear floor space at the urinal. It needs to be in front of the urinal, since the person stands to use the urinal. Section 605.4 would require the clear floor space under the urinal for access to controls. Per the exception, assuming the clear floor space is now in front of the urinal, the access to the controls could meet the criteria for obstructed forward reach.		
<b>BALLOT COMMENT 1- FIRST DRAFT:</b> Proponent: <i>Daniel Dain, AIA</i> Desired Action: Negative with comment Modification:		
Reason: The clear floor space includes knee and toe clearance, reference figure 306.2(B) and figure 306.3(B) and ends at the centerline of the controls, just like it does at a sink, refer to figure 606.3. If the committee is now saying that the clear floor space stops at the face of the obstruction, then so does the toe clearance, therefore so does the reach range. This change would allow the urinal to go straight to the floor, or the wall bump out or other impediment could limit a person's ability to get their wheelchair and feet under the urinal to properly position themselves. There's a reason 605.2 requires the outer face of the urinal rim to be 13 1/2" from the wall surface. This proposal is equivalent to trying to change the clear floor space for a sink to stop at the outer face of rim or edge of countertop, completely negating the knee and toe clearance needed for persons in wheelchairs to be able to use the fixture.		
<b>BALLOT COMMENT 2- FIRST DRAFT:</b> Proponent: <i>Kimberly Paarlberg, ICC</i> Desired Action: Negative with comment Modification: <b>Further modify as follows:</b>		
<b>605.3 Clear Floor Space.</b> A clear floor space complying with Section 305.3, positioned for forward approach, shall be provided measured from the front, exterior the rim of the urinal <u>and comply with Section 305.7.2.</u>		
<b>605.4 Flush controls.</b> Flush controls shall be hand operated or automatic. Hand operated flush controls shall comply with Section 309. <b>Exception:</b> The clear floor space shall not be required to extend under the urinal <del>for the purposes of Section 308.2</del> <u>access to flush controls</u> where the <del>operable parts of the flush</del> controls have a high reach of <del>are</del> 44 inches (1120 mm) maximum <u>above the floor.</u>		
Reason: There needs to be coordination between 06-32-21 and 06-34-22. This modification would specify the location of the clear floor space so someone would stand at the urinal, and provide a reminder for the alcove provisions. This is similar to what the committee approved for transfer showers in 06-60-2021 Section 608.2.1.2.1. The change to 605.3 is for clarity.  <b>This is what was approved.</b>  <b>06-32-2021 AS</b> <b>605.3 Clear Floor Space.</b> A clear floor space <u>complying with Section 305.3</u> , positioned for forward approach, shall be provided. <u>Where the depth of the forward approach to the urinal exceeds 24 inches (610 mm), the width of the clear floor space shall be a minimum 36 inches (914 mm) and shall comply with Section 305.7.2.</u>  <b>06-34-2021 AM</b> <b>605.3 Clear floor space.</b> A clear floor space <u>complying with Section 305</u> positioned for forward approach shall be provided <u>measured from the front, exterior the rim of the urinal.</u> <b>06-34-2021 AM</b> <b>605.4 Flush controls.</b> Flush controls shall be hand operated or automatic. Hand operated flush controls shall comply with Section 309. <b>Exception:</b> <u>The clear floor space shall not be required to extend under the urinal for the purposes of Section 308.2 where the controls have a high reach of 44 inches (1120 mm) maximum.</u>		
Committee decision: AS/AMD	Committee Vote at Meeting:	Committee Vote on Ballot:
REPORT OF HEARING – FIRST DRAFT		
Modification (if any):		
Committee Reason:		

**Report for 06-34-2021**

**BALLOT COMMENT- SECOND DRAFT:**

Proponent:

Desired Action:

Modification:

Reason:

**Committee decision: AS/AM/D**

**Committee Vote at Meeting:**

**Committee Vote on Ballot:**

**FINAL ACTION:**

Modification (if any):

Committee Reason:

## 06-37 – 2021 overview

Proposal number	Proponent	Standard Sections	Committee Actions	Mtg. Date	Notes; Groups; groupings
06-37	Williams	606.2	AM 28-1-4	10-6-2022	

Comment	Proponent	Requested Action	Committee Action	Mtg. Date	Notes; Groups; groupings
<b>PC1</b>	Williams	AM			Staff note

BC= Ballot Comment, PC= Public comment, **Bold Comment number** is proposed revision below

## 06-37 – 2021 606.2

**Proponent:** Richard Williams, CWA Consultants representing self

**Revise as follows:**

### SECTION 606 LAVATORIES AND SINKS

**606.2 Clear floor space.** A clear floor space complying with Section 305.3, positioned for forward approach, shall be provided. Knee and toe clearance complying with Section 306 shall be provided. The dip of the overflow shall not be considered in determining knee and toe clearances.

**Exceptions:**

1. A clear floor space providing a parallel approach shall be permitted at a kitchen sink in a space where a cook top or conventional range is not provided.
2. The requirement for knee and toe clearance shall not apply to a lavatory in a toilet or bathing facility for a single occupant, accessed only through a private office and not for common use or public use.
3. A knee clearance of 24 inches (610 mm) minimum above the floor shall be permitted at lavatories and sinks used primarily by children ages 6 through 12 where the higher of the rim or counter surface is 31 inches (785 mm) maximum above the floor.
4. A clear floor space providing a parallel approach shall be permitted at lavatories and sinks used primarily by children ages 5 and younger.
5. The requirement for knee and toe clearance shall not apply to more than one bowl of a multibowl sink.
6. A clear floor space providing a parallel approach shall be permitted at wet bars.
7. Doors that open and retract into surrounding cabinetry are permitted, provided all requirements are met for clear floor space and knee and toe clearance.
8. Cabinetry that can be removed without removal or replacement of the lavatory is permitted in Type A and Type B units and shall comply with Sections 1103 and 1104 respectively.

**REASON:** This is the second of two proposals recommending a change to Section 606.2. Our first proposal seeks to clarify that an open space under a lavatory or sink (no cabinets or cabinet doors) is to be provided when forward approach is required. In other words, cabinetry or doors that open and retract into surrounding cabinetry are NOT permitted. This proposal adds language that ALLOWS for cabinet doors that can be pushed into the cabinet to provide the required forward approach. We also added an exception to clarify that cabinetry that can be removed is permitted in Type A and Type B units.

We are submitting two contradictory proposals in the hopes that the committee will clarify which of these two approaches are actually recognized by the ADA community. We would find either approach acceptable, but we feel that the important part is to specify the correct interpretation, and the best way to do this is by modification of Section 606.2.

**Committee Action:** AM 28-1-4

Notes:

Mod submitted by proponent was original motion for AM – “Within dwelling units” and “where doors are full retracted” added to Exception 7

Mod to delete Exception 8 – 27-1-4

Mod to add “and sleeping units” to Exception 7 - 31-0-3

## **REPORT OF HEARING:**

**Modification (if any):**

**Further revise as follows:**

### **606.2 Clear floor space. ...**

7. Within dwelling units and sleeping units, Doors that open and retract into surrounding cabinetry are permitted, provided all requirements are met for clear floor space and knee and toe clearance where doors are fully retracted.
8. ~~Cabinetry that can be removed without removal or replacement of the lavatory is permitted in Type A and Type B units and shall comply with Sections 1103 and 1104 respectively.~~

**Committee Reason:** The modification to delete Exception 8 was because the exceptions specific to Type A and Type B dwelling units are in Section 1103 and 1104, so this is redundant and not needed. In addition, the reference is too broad and the terminology is not the same as in 1103.11.2.2, 1103.12.3.1, 1104.11.3.1.1 and 1104.12.2.1, do this could be confusing.

The modification to Exception 7 was to limit the option for retractable cabinet fronts to dwelling units where the people would be familiar with and have control of the space. Sleeping units were also added for situations where someone wanted to provide a more accessible front approach rather than the required side approach.

Exception 7 would provide an option for cabinet fronts at front approach lavatories and sinks similar to what is common in television cabinets – and it eliminates the question about such cabinet doors obstructing other parts of the kitchen where they do not retract.

606.2-2\_Williams.doc

---

## **06-37 – 2021 Public Comment 1**

**606.2, 1103.11.2.2, 1103.12.3.1, 1103.12.4.1, 1104.11.3.1.1**

**Proponent:** Richard Williams, CWA Consultants representing self

**Revise as follows:**

### **SECTION 606 LAVATORIES AND SINKS**

**606.2 Clear floor space.** A clear floor space complying with Section 305.3, positioned for forward approach, shall be provided. Knee and toe clearance complying with Section 306 shall be provided. The dip of the overflow shall not be considered in determining knee and toe clearances.

**Exceptions:**

1. A clear floor space providing a parallel approach shall be permitted at a kitchen sink in a space where a cook top or conventional range is not provided.
2. The requirement for knee and toe clearance shall not apply to a lavatory in a toilet or bathing facility for a single occupant, accessed only through a private office and not for common use or public use.
3. A knee clearance of 24 inches (610 mm) minimum above the floor shall be permitted at lavatories and sinks used primarily by children ages 6 through 12 where the higher of the rim or counter surface is 31 inches (785 mm) maximum above the floor.
4. A clear floor space providing a parallel approach shall be permitted at lavatories and sinks used primarily by children ages 5 and younger.
5. The requirement for knee and toe clearance shall not apply to more than one bowl of a multibowl sink.
6. A clear floor space providing a parallel approach shall be permitted at wet bars.
- ~~7. Within dwelling units and sleeping units, doors that open and retract into surrounding cabinetry are permitted, provided all requirements are met for clear floor space and knee and toe clearance where doors are fully retracted.~~

**1103.11.2.2 Lavatory.** Lavatories shall comply with Section 606.

**Exception Exceptions:**

1. Cabinetry shall be permitted under the lavatory, provided the following criteria are met:

- 1.1. The cabinetry can be removed without removal or replacement of the lavatory;
- 1.2. The floor finish extends under the cabinetry; and
- 1.3. The walls behind and surrounding the cabinetry are finished.

2. Doors that open and retract into surrounding cabinetry are permitted, provided all requirements are met for clear floor space and knee and toe clearance where doors are fully retracted.

**1103.12.3.1 Clear floor space.** A clear floor space, positioned for a forward approach to the work surface, shall be provided. Knee and toe clearance complying with Section 306 shall be provided.

**Exception Exceptions:**

1. Cabinetry shall be permitted under the work surface, provided the following criteria are met:

- 1.1. The cabinetry can be removed without removal or replacement of the work surface,
- 1.2. The floor finish extends under the cabinetry, and
- 1.3. The walls behind and surrounding the cabinetry are finished.

2. Doors that open and retract into surrounding cabinetry are permitted, provided all requirements are met for clear floor space and knee and toe clearance where doors are fully retracted.

**1103.12.4.1 Clear floor space.** A clear floor space, positioned for a forward approach to the sink, shall be provided. Knee and toe clearance complying with Section 306 shall be provided.

**Exceptions:**

1. The requirement for knee and toe clearance shall not apply to more than one bowl of a multi-bowl sink.
2. Cabinetry shall be permitted to be added under the sink, provided the following criteria are met:
  - 2.1 The cabinetry can be removed without removal or replacement of the sink,
  - 2.2 The floor finish extends under the cabinetry, and
  - 2.3 The walls behind and surrounding the cabinetry are finished.

3. Doors that open and retract into surrounding cabinetry are permitted, provided all requirements are met for clear floor space and knee and toe clearance where doors are fully retracted.

- ~~3.~~ 4. A clear floor space providing a parallel approach and centered on the sink shall be permitted at a kitchen sink in a space where a cook top or conventional range is not provided.
- ~~4.~~ 5. A clear floor space providing a parallel approach and centered on the sink shall be permitted at wet bars.

**1104.11.3.1.1 Lavatory.** A clear floor space positioned for a parallel approach shall be provided at a lavatory. The clear floor space shall be centered on the lavatory.

**Exception Exceptions:**

1. A lavatory complying with Sections 606.3, 606.4 and 1104.1.1 shall be permitted. Cabinetry shall be permitted under the lavatory provided the following criteria are met:

- 1.1. The cabinetry can be removed without removal or replacement of the lavatory, and
- 1.2. The floor finish extends under the cabinetry, and
- 1.3. The walls behind and surrounding the cabinetry are finished.

2. Doors that open and retract into surrounding cabinetry are permitted, provided all requirements are met for clear floor space and knee and toe clearance where doors are fully retracted.

---

**REASON:** As the proponent of the original proposal, the purpose of it was to address an issue that comes up on plan reviews several times a year. Architects will propose doors under sinks that require a forward approach in common area kitchens (due to the presence of a cook top or range), which are often found in large apartment buildings, schools, etc. They also propose these doors under sinks that allow for parallel approach where it is not possible for the clear floor space to be centered on the sink (for example, too close to a wall on one side). Their reason is once the doors are open, clear floor space, a finished floor under the sink, and knee and toe clearance are all provided in accordance with forward approach requirements. We have also seen doors that can be opened and retracted into the cabinets (like a stereo cabinet).

In these cases, we issue a correction to require a forward approach, and do not allow for these types of doors. These doors do not meet the intent of forward approach requirements, and this was confirmed by the committee during the testimony for the original proposal. Our proposal made a reference to cabinetry under lavatories in Type A and Type B units that are permitted to have removable cabinetry. The committee found this to be redundant and unnecessary. It was also not complete since it did not include sinks. Per committee modifications, the proposal was further modified to add an exception to include doors that open and retract into the surrounding cabinetry.

We feel that this proposal as modified by the committee requires further changes, and still does not address the intent of our original proposal, which was to clarify that where forward approach is required, the space under sinks and lavatories is required to be open without having to do anything such as open cabinet doors. This modification proposal does two things. First, it takes the language regarding the cabinet doors out of the list of exceptions found in 606.2 and adds it to specific sections in 1103 and 1104, alongside adaptable cabinetry requirements. This allows for cabinet doors that can be opened and retracted into the cabinetry to be used as an alternative to adaptable cabinetry in Type A and Type B lavatories, and Type A kitchen sinks and work spaces. Second, it adds an exception to 606.2 that makes a specific reference to 1103 and 1104 for retractable cabinets and adaptable cabinetry. We feel that adding this exception to 606.2 provides further clarification that forward approach is required unless specifically allowed per Sections 1103 and 1104, which was the intent of the original proposal. We urge your approval.

(Staff note: 06-35-2021 AS added an addition new exception to Section 606.2. 11-16-2023 AM modified 1103.12.3.1. 03-06021 AM modified Section 1103.21.4.1 Exceptions 3 and 4. 03-06-21 AM and 11-24-21 AS modified 1104.11.3.1.1)

---

**Committee Action:**

**REPORT OF HEARING:**

**Modification (if any):**

**Committee Reason:**

06-37 Williams.doc

**Committee Action for First Ballot:**

**REPORT OF HEARING:**

**Modification (if any):**

**Committee Reason:**

<b>Report for 06-37-2021</b>		
<i>Committee decision: AM</i>	<i>Committee Vote at Meeting: 28-1-4</i>	<i>Committee Vote on Ballot: 40-0-1</i>
<b>REPORT OF HEARING:</b>		
Modification (if any):		
<b>Further revise as follows:</b>		
7. <u>Within dwelling units and sleeping units</u> , Doors that open and retract into surrounding cabinetry are permitted, provided all requirements are met for clear floor space and knee and toe clearance <u>where doors are fully retracted</u> .		
8. <del>Cabinetry that can be removed without removal or replacement of the lavatory is permitted in Type A and Type B units and shall comply with Sections 1103 and 1104 respectively.</del>		
Committee Reason: The modification to delete Exception 8 was because the exceptions specific to Type A and Type B dwelling units are in Section 1103 and 1104, so this is redundant and not needed. In addition, the reference is too broad and the terminology is not the same as in 1103.11.2.2, 1103.12.3.1, 1104.11.3.1.1 and 1104.12.2.1, do this could be confusing. The modification to Exception 7 was to limit the option for retractable cabinet fronts to dwelling units where the people would be familiar with and have control of the space. Sleeping units were also added for situations where someone wanted to provide a more accessible front approach rather than the required side approach. Exception 7 would provide an option for cabinet fronts at front approach lavatories and sinks similar to what is common in television cabinets – and it eliminates the question about such cabinet doors obstructing other parts of the kitchen where they do not retract.		
<b>BALLOT COMMENT- FIRST DRAFT:</b>		
Proponent:		
Desired Action:		
Modification:		
Reason:		
<i>Committee decision: AS/AM/D</i>	<i>Committee Vote at Meeting:</i>	<i>Committee Vote on Ballot:</i>
<b>REPORT OF HEARING – FIRST DRAFT</b>		
Modification (if any):		
Committee Reason:		
<b>BALLOT COMMENT- SECOND DRAFT:</b>		
Proponent:		
Desired Action:		
Modification:		
Reason:		
<i>Committee decision: AS/AM/D</i>	<i>Committee Vote at Meeting:</i>	<i>Committee Vote on Ballot:</i>
<b>FINAL ACTION:</b>		
Modification (if any):		
Committee Reason:		

## 06-38 – 2021 overview

Proposal number	Proponent	Standard Sections	Committee Actions	Mtg. Date	Notes; Groups; groupings
06-38	Thompson	606.4	AM 22-1-3	12-15-22	

Comment	Proponent	Requested Action	Committee Action	Mtg. Date	Notes; Groups; groupings
BC1	Dain, AIA	Negative			
<b>PC1</b>	Terminology	AM			Editorial

BC= Ballot Comment, PC= Public comment, **Bold Comment number** is proposed revision below

## 06-38 – 2021

### 606.4

**Proponent:** Kyle Thompson, Plumbing Manufacturers International (PMI)

**Revise as follows:**

#### SECTION 606 LAVATORIES AND SINKS

**606.4 Faucets.** Faucets shall comply with Section 309. Hand-operated metering faucets shall remain open for 10 seconds minimum.

**Exception:** Automatic faucets shall be permitted where the activation complies with Section 308.2.2 ~~not be required to comply with Section 309 provided that the reach depth to activate the faucets and the reach depth to the water flow is 11 inches (280 mm) maximum.~~

---

**REASON:** With new technology allowing automatic faucets to be activated with motion or touch, they should be allowed to comply with the same reach requirements as manual-operated faucets as required in Section 308.2.2. This proposed change does not impact the more restrictive reach range requirements in Section 606.5.

**Note:** Motion to table to end of Chapter 6 proposals

---

## 06-38 – 2021 Replacement

### 606.4

**Proponent:** Kyle Thompson, Plumbing Manufacturers International (PMI)

**Replace the proposal and revise as follows:**

**606.4 Faucets.** Faucets shall comply with Section 309. Hand-operated metering faucets shall remain open for 10 seconds minimum.



**Exception:** Automatic faucets shall not be required to comply with Section 309 where the location to activate the faucet and the water flow complies with Section 308.2.2 for sinks and lavatories provided with a front approach and Section 308.3.2 for sinks provided with a side approach. ~~provided that the reach depth to activate the faucets and the reach depth to the water flow is 11 inches (280 mm) maximum.~~

**Reason:** The committee was concerned that the proposed language did not address getting your hands into the water, and that the forward obstructed reach did not address the requirements for a sink that could have a side approach. This replacement proposal will address both issues.

**Notes 12-1-22:** Tabled till Dec. 15 meeting

---

## **06-38 – 2021 2<sup>nd</sup> Replacement**

### **606.4**

**Proponent:** Kyle Thompson, Plumbing Manufacturers International (PMI)

**Replace the proposal and revise as follows:**

**606.4 Faucets.** Faucets shall comply with Section 309. Hand-operated metering faucets shall remain open for 10 seconds minimum.

**Exception:** Automatic faucets shall not be required to comply with Section 309 ~~provided that the reach depth to activate the faucets and the reach depth to the water flow is 11 inches (280 mm) maximum.~~ where the faucets comply with one of the following:

1. For sinks and lavatories provided with a forward approach, the reach to activate the faucet and the reach to the water flow comply with Section 308.2.2 (obstructed forward reach).
2. For sinks and lavatories provided with a side approach, the reach to activate the faucets and the reach to the water flow comply with Section 308.3.2 (obstructed side reach).

**Reason:** The committee was concerned that the proposed language did not address getting your hands into the water, and that the forward obstructed reach did not address the requirements for a sink that could have a side approach. This replacement proposal will address both issues.

---

**Committee Action:** As Modified 22-1-3

### **REPORT OF HEARING:**

**Modification (if any):**

**Replace the proposal and revise as follows:**

**606.4 Faucets.** Faucets shall comply with Section 309. Hand-operated metering faucets shall remain open for 10 seconds minimum.

**Exception:** Automatic faucets shall not be required to comply with Section 309 ~~provided that the reach depth to activate the faucets and the reach depth to the water flow is 11 inches (280 mm) maximum.~~ where the faucets comply with one of the following:

1. For sinks and lavatories provided with a forward approach, the reach to activate the faucet and the reach to the water flow comply with Section 308.2.2 (obstructed forward reach).
2. For sinks and lavatories provided with a side approach, the reach to activate the faucets and the reach to the water flow comply with Section 308.3.2 (obstructed side reach).

**Committee Reason:** The 2<sup>nd</sup> replacement modification was approved by the committee as this revised exception clarified that rather than reach the faucet, where automatic water is used, the activation of the faucet and the water flow is what is required to be within the associated reach range. It was noted that this language will now be different from Section 606.4.1 for enhanced reach range; whereas before they were coordinated.

606.4-THOMPSON.doc

## 06-38 – 2021 Ballot Comments

### BALLOT COMMENT 1- FIRST DRAFT:

Proponent: *Daniel Dain, AIA*

Desired Action: Negative as comment

Modification:

Reason: Do not agree with current text as often the temperature control is located at base of faucet. Faucets should have reach ranges that are less than the maximum per 309. The reach range to activate a faucet set to the maximum limits of reach range could mean reaching up to 25” over an obstruction and 44” high. The intent of this section should be to set more reasonable reach ranges for how a person uses a sink, much differently than say flipping a light switch. (Try washing dishes in a wheelchair while constantly reaching 20”-25” over and 44”-48” high to turn the water on and off or to adjust the temperature) The current text has an exception to 309; however, 309 is what requires clear floor space to the faucet (being an operable part, separate from the sink or lav itself) and reach ranges that comply with 308. Therefore, the proposed text keeps the exception to the section that refers you to the reach ranges which already state the 2 additional items this proposes. Agree clarifying the reach to activate the faucet and the reach to water flow shall comply, but so should the temperature, when provided. Delete exception to 309.

## 06-38 – 2021 Public Comment 1

### 606.4

**Proponent:** Marsha Mazz, representing the Terminology Task Group

**Further revise as follows:**

#### SECTION 606 LAVATORIES AND SINKS

**606.4 Faucets.** Faucets shall comply with ~~Section 309~~ operable parts. Hand-operated metering faucets shall remain open for 10 seconds minimum.

**Exception:** Automatic faucets shall not be required to comply with ~~Section 309~~ operable parts where the faucets comply with one of the following:

1. For sinks and lavatories provided with a forward approach, the reach to activate the faucet and the reach to the water flow comply with ~~Section 308.2.2~~ obstructed forward reach.
2. For sinks and lavatories provided with a side approach, the reach to activate the faucets and the reach to the water flow comply with ~~Section 308.3.2~~ obstructed side reach.

---

**REASON:** This is part of a proposal from the Terminology task group to define the building blocks so that a reference is not required. This public comment is included here because it was part of new text. Please see the complete proposal for additional information.

---

**Committee Action for Public Comment 1:**

**REPORT OF HEARING:**

**Modification (if any):**

**Committee Reason:**

06-38 Terminology.doc

---

**Committee Action for First Ballot:**

**REPORT OF HEARING:**

**Modification (if any):**

**Committee Reason:**

Report for 06-38– 2021		
Committee decision: AM	Committee Vote at Meeting: 22-1-3	Committee Vote on Ballot: 39-1-1
<b>REPORT OF HEARING:</b> Modification (if any): Replace the proposal and revise as follows:  <b>606.4 Faucets.</b> Faucets shall comply with Section 309. Hand-operated metering faucets shall remain open for 10 seconds minimum. <b>Exception:</b> Automatic faucets shall not be required to comply with Section 309 <del>provided that the reach depth to activate the faucets and the reach depth to the water flow is 41 inches (280 mm) maximum. where the faucets comply with one of the following:</del>  <ol style="list-style-type: none"><li>1. <u>For sinks and lavatories provided with a forward approach, the reach to activate the faucet and the reach to the water flow comply with Section 308.2.2 (obstructed forward reach).</u></li><li>2. <u>For sinks and lavatories provided with a side approach, the reach to activate the faucets and the reach to the water flow comply with Section 308.3.2 (obstructed side reach).</u></li></ol>		
Committee Reason: The 2 <sup>nd</sup> replacement modification was approved by the committee as this revised exception clarified that rather than reach the faucet, where automatic water is used, the activation of the faucet and the water flow is what is required to be within the associated reach range. It was noted that this language will now be different from Section 606.4.1 for enhanced reach range; whereas before they were coordinated.		
<b>BALLOT COMMENT 1- FIRST DRAFT:</b> Proponent: <i>Daniel Dain, AIA</i> Desired Action: Negative as comment Modification:		

**Report for 06-38– 2021**

Reason: Do not agree with current text as often the temperature control is located at base of faucet. Faucets should have reach ranges that are less than the maximum per 309. The reach range to activate a faucet set to the maximum limits of reach range could mean reaching up to 25" over an obstruction and 44" high. The intent of this section should be to set more reasonable reach ranges for how a person uses a sink, much differently than say flipping a light switch. (Try washing dishes in a wheelchair while constantly reaching 20"-25" over and 44"-48" high to turn the water on and off or to adjust the temperature) The current text has an exception to 309; however, 309 is what requires clear floor space to the faucet (being an operable part, separate from the sink or lav itself) and reach ranges that comply with 308. Therefore, the proposed text keeps the exception to the section that refers you to the reach ranges which already state the 2 additional items this proposes. Agree clarifying the reach to activate the faucet and the reach to water flow shall comply, but so should the temperature, when provided. Delete exception to 309.

**Committee decision: AS/AM/D****Committee Vote at Meeting:****Committee Vote on Ballot:****REPORT OF HEARING – FIRST DRAFT**

Modification (if any):

Committee Reason:

**BALLOT COMMENT- SECOND DRAFT:**

Proponent:

Desired Action:

Modification:

Reason:

**Committee decision: AS/AM/D****Committee Vote at Meeting:****Committee Vote on Ballot:****FINAL ACTION:**

Modification (if any):

Committee Reason:

## 06-29 – 2021 overview

Proposal number	Proponent	Standard Sections	Committee Actions	Mtg. Date	Notes; Groups; groupings
06-39	Thompson	606.5	D 27-1-1	10-6-2022	

Comment	Proponent	Requested Action	Committee Action	Mtg. Date	Notes; Groups; groupings
BC1	Dain, AIA	Affirmative			

BC= Ballot Comment, PC= Public comment, **Bold Comment number** is proposed revision below

## 06-39 – 2021 606.5

**Proponent:** Kyle Thompson, Plumbing Manufacturers International (PMI)

**Revise as follows:**

### SECTION 606 LAVATORIES AND SINKS

**606.5 Lavatories with enhanced reach range.** Where enhanced reach range is required at lavatories, faucets and soap dispenser controls shall have a reach depth of 11 inches (280 mm) maximum. Water and soap ~~outlets~~ streams shall be provided with a reach depth of 11 inches (280 mm) maximum. The lavatory shall be 34 inches (865 mm) maximum above the floor, measured to the higher of the rim or counter surface.

**Exceptions:**

1. Enhanced reach range faucets shall not be required on lavatories provided with automatic faucets where the reach depth to activate the faucets and the reach depth to the water ~~outlet~~ stream is 11 inches (280 mm) maximum.
2. Enhanced reach range soap dispensers shall not be required on lavatories provided with automatic dispensers where the reach depth to activate the soap dispensers and the reach depth to the soap ~~outlet~~ stream is 11 inches (280 mm) maximum.

---

**REASON:** The user's concern is reaching the water or soap stream and not necessarily the outlet on the faucet or soap dispenser. The proposed change clarifies the intent of the section.

**Committee Action:** D 27-1-1

**REPORT OF HEARING:**

**Modification (if any):**

**Committee Reason:** The proposal was disapproved because the direction of the stream may vary depending on how hard the water is turned on, and it is much harder to measure to a stream. The outlet provides a specific measurable point.

## 06-39 – 2021 Ballot Comments

<b>BALLOT COMMENT 1- FIRST DRAFT:</b>
Proponent: <i>Daniel Dain, AIA</i>
Desired Action: Affirmative with comment
Modification:
Reason: 606.4 already uses term “water flow”; however, 606.5 uses term “water outlet”. Now we’re proposing a 3rd term “water stream”.

### Committee Action for First Ballot:

### REPORT OF HEARING:

### Modification (if any):

### Committee Reason:

<b>Report for 06-39– 2021</b>		
<i>Committee decision: D</i>	<i>Committee Vote at Meeting: 27-1-1</i>	<i>Committee Vote on Ballot:39-1-1</i>
<b>REPORT OF HEARING:</b>		
Modification (if any):		
Committee Reason: The proposal was disapproved because the direction of the stream may vary depending on how hard the water is turned on, and it is much harder to measure to a stream. The outlet provides a specific measurable point.		
<b>BALLOT COMMENT 1- FIRST DRAFT:</b>		
Proponent: <i>Daniel Dain, AIA</i>		
Desired Action: Affirmative with comment		
Modification:		
Reason: 606.4 already uses term “water flow”; however, 606.5 uses term “water outlet”. Now we’re proposing a 3rd term “water stream”.		
<i>Committee decision: AS/AM/D</i>	<i>Committee Vote at Meeting:</i>	<i>Committee Vote on Ballot:</i>
<b>REPORT OF HEARING – FIRST DRAFT</b>		
Modification (if any):		
Committee Reason:		
<b>BALLOT COMMENT- SECOND DRAFT:</b>		
Proponent:		
Desired Action:		
Modification:		
Reason:		
<i>Committee decision: AS/AM/D</i>	<i>Committee Vote at Meeting:</i>	<i>Committee Vote on Ballot:</i>
<b>FINAL ACTION:</b>		
Modification (if any):		
Committee Reason:		

## 06-40 – 2021 overview

Proposal number	Proponent	Standard Sections	Committee Actions	Mtg. Date	Notes; Groups; groupings
06-40	Hirsch	607.2, 607.3(New), 607.5, Figures 607.2(A), 607.2(B), 607.3(New), 607.5, 1103.2.5.1 (A), 1103.2.5.1 (B)	AM 18-7-5	12-15-22	Bathing related – 06-40, 06-59, 11-29

Comment	Proponent	Requested Action	Committee Action	Mtg. Date	Notes; Groups; groupings
BC1	Anderson, AIA	Negative			
BC2	Dain, AIA	Affirmative			
<b>BC3</b>	Paarlberg, AIA	Negative			
BC4	Buuck, NAHB	Negative			
<b>PC1</b>	Terminology	AM			Editorial
<b>PC2</b>	Buuck	AM			
<b>PC3</b>	Stratton	AM			

BC= Ballot Comment, PC= Public comment, **Bold Comment number** is proposed revision below

## 06-40 – 2021

**607.2, 607.3(New), 607.5, Figures 607.2(A), 607.2(B), 607.3(New), 607.5, 1103.2.5.1(A), 1103.2.5.1(B)**

**Proponent:** Thomas Hirsch, FAIA, Hirsch Group Architecture, representing self; M. Bradley Gaskins, AIA; Gina Hillberry for United Cerebral Palsy; Joe Jurkiewicz, AIA; Marsha Mazz for United Spinal Association; Edward Steinfeld, Arch.D, AIA; and Steven R. Winkel, FAIA, PE, CASp

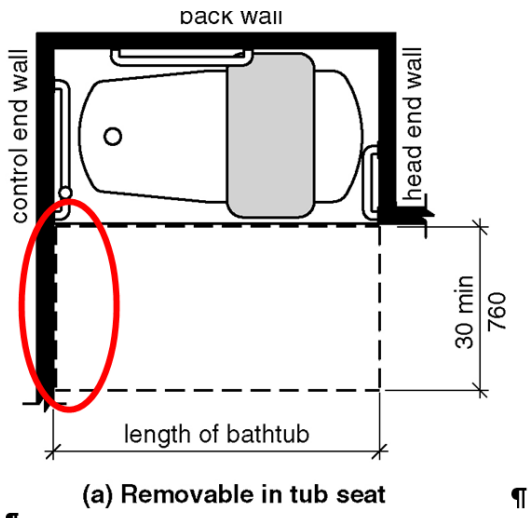
**Revise as follows:**

### SECTION 607 BATHTUBS

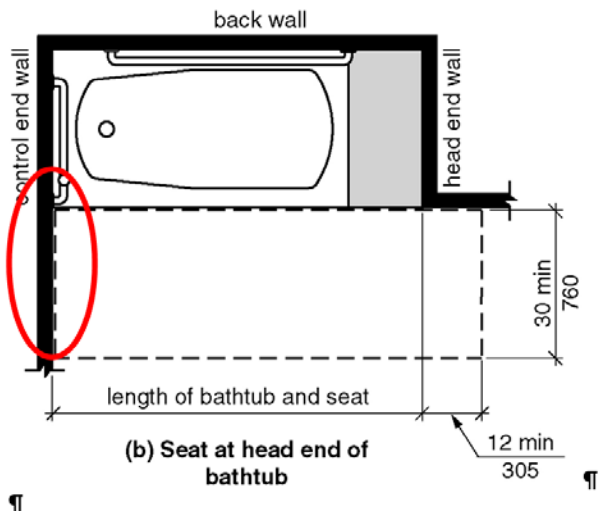
**607.2 Transfer Clearance.** A transfer clearance in front of bathtubs extending the length of the bathtub and 30 inches (760 mm) minimum in depth shall be provided. Where a permanent seat is provided at the head end of the bathtub, the transfer clearance shall extend 12 inches (305 mm) minimum beyond the wall at the head end of the bathtub.

*Note: The wall in the Figures 607.2(A) and 607.2(B) would be jogged to indicate the additional 4 inch toe clearance in the new Figure 607.3. The committee will need to decide if Figures 607.2(A) and 607.2 (B) should*

be revised to show the control clearance with the transfer clearance or if the control clearance should be in a separate Figure 607.3. The figure submitted indicates the transfer clearance moving forward, not an addition 4 inch control clearance as the text indicates.



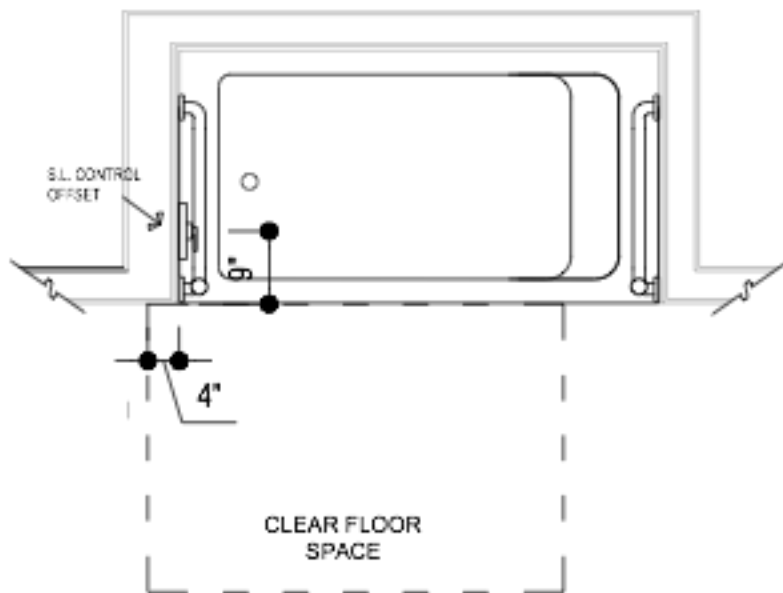
**FIGURE 607.2(A)**  
**TRANSFER CLEARANCE FOR BATHTUBS WITH REMOVABLE IN TUB SEATS**



**FIGURE 607.2(B)**  
**TRANSFER CLEARANCE FOR BATHTUBS WITH SEAT AT HEAD END OF TUB**

**607.3 Control Clearance.** The clear floor space for toe clearance at the controls shall extend 4 inches (100 mm) minimum beyond the control end wall.

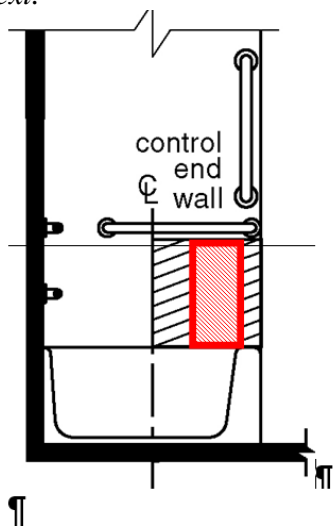




**FIGURE 607.3**  
**CLEARANCE FOR BATHTUBS CONTROLS**

**607.5 Controls.** Controls, other than drain stoppers, shall be provided on an end wall, located between the bathtub rim and grab bar, and between the open side of the bathtub and the centerline of the width of the bathtub the centerline of controls measured from the approach side of the bathtub shall be located 5 inches (127 mm) minimum and 9 inches (229 mm) maximum from the clear floor space. Controls shall comply with Section 309.4.

*Note: The area for the controls in Figure 607.5 would be revised to the smaller area indicated in the revised text.*



**FIGURE 607.5**  
**LOCATION OF BATHTUB CONTROLS**

*Note: The references from Accessible and Type A units are shown so that the committee is clear on how this proposal will affect unit requirements.*

## SECTION 1102 ACCESSIBLE UNITS

**1102.11.2 Toilet and bathing facility.** At least one toilet and bathing facility shall comply with Section 603. At least one lavatory, one water closet and either a bathtub or shower within the unit shall comply with Sections 604 through 610. These toilet and bathing fixtures shall be in a single toilet/bathing area, such that travel between fixtures does not require travel through other parts of the unit.

## SECTION 1103 TYPE A UNITS

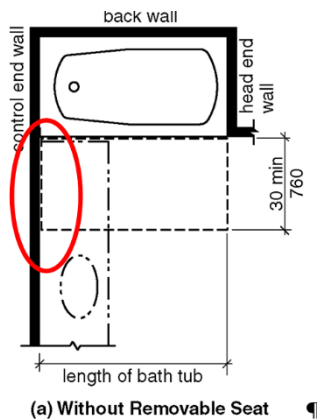
**1103.11.2.5 Bathing fixtures.** The bathing fixture shall be a bathtub complying with Section 1103.11.2.5.1 or a shower compartment complying with Section 1103.11.2.5.2.

**1103.11.2.5.1 Bathtub.** Bathtubs shall comply with Section 607.

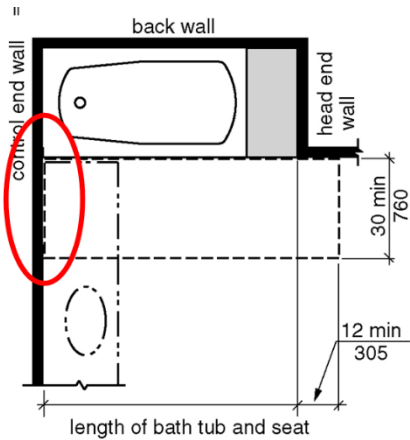
**Exception:** Countertops and cabinetry shall be permitted at one end of the clearance, provided the following criteria are met:

1. The countertop and cabinetry can be removed;
2. The floor finish extends under the countertop and cabinetry; and
3. The walls behind and surrounding the countertop and cabinetry are finished.

*Note: The wall in the Figures 1103.11.2.5.1(A) and 1103.11.2.5.1(B) would be jogged to indicate the additional 4 inch control clearance in the new Figure 607.2.1*



**Figure 1103.11.2.5.1(A)  
CLEARANCE FOR BATHTUBS IN TYPE A UNITS WITH REMOVABLE SEATS**



(b) With Permanent Seat

**Figure 1103.11.2.5.1(B)**

**CLEARANCE FOR BATHTUBS IN TYPE A UNITS WITH PERMANENT SEATS**

**REASON:** Based on anthropometry, the provision of toe space past the control end of the fixture accomplishes realistic reach of the control for 90% of persons measured. In existing buildings “technical infeasibility” provides an exception for difficult situations.

**Notes:** Table till end of Chapter 6

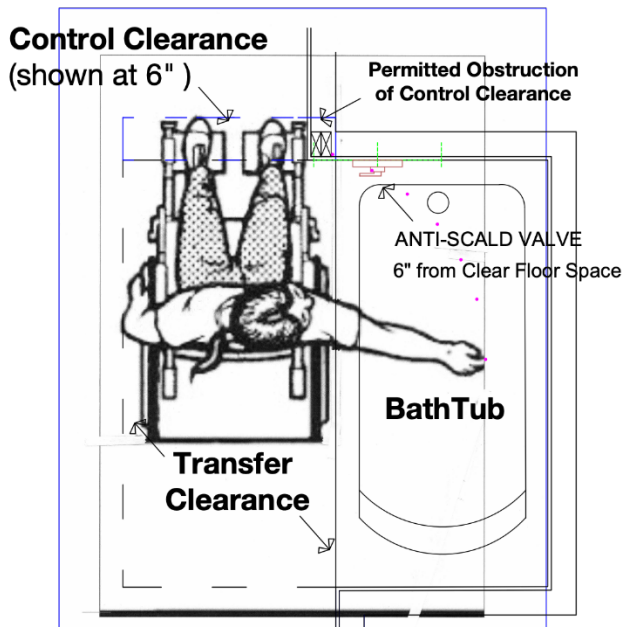
**06-40 – 2021 Modification**

**607.2, 607.3(New), 607.5, Figures 607.2(A), 607.2(B), 607.3(New), 607.5, 1103.2.5.1(A), 1103.2.5.1(B)**

**Proponent:** Thomas Hirsch, FAIA, Hirsch Group Architecture, representing self

**Further revise as follows:**

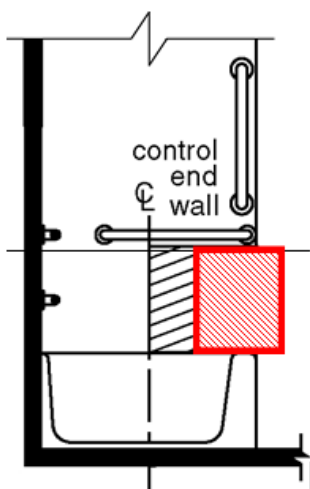
**607.3 Control Clearance.** The clear floor space for toe clearance complying with Section 306.2 at the controls shall extend 4-6 inches (100 152 mm) minimum beyond the control end wall. An obstruction by the control wall of 4 inches (102 mm) maximum shall be permitted.



*Note: This is a replacement figure. The clear floor space location was revised in the figure, but the location of the valve does not match the text in Section 607.5.*

**FIGURE 607.3  
CLEARANCE FOR BATHTUBS CONTROLS**

**607.5 Controls.** Controls, other than drain stoppers, located between the bathtub rim and grab bar, and the centerline of the control valve shall be located ~~controls measured from the approach side of the bathtub shall be located 5 inches (127 mm) minimum and~~ 9 inches (229 mm) maximum from the clear floor space. Controls shall comply with Section 309.4.



*Note: The area for the controls in Figure 607.5 would be revised to the smaller area indicated in the revised text. 9" is from the clear floor space, not from the front of the tub.*

**FIGURE 607.5  
LOCATION OF BATHTUB CONTROLS**

**Reason:**

1. Conforms “toe space” with prior use of the term in Sec. 306.2.
2. Allows intrusion of wall framing without interfering with user’s toes
3. Allows for plumbing valves & piping in typical use.

**Staff note:** This requirement would apply to Accessible and Type A units.

**Staff Note 12-1-2022:** Tabled till 12-15-2022 meeting and first in order of discussion.

**Committee Action:** As Modified

Notes 12-15-2022: Proposal split

Chair decided changes to Section 607.2 revisions are editorial

Part 1 Section 607.3 (control clearance) AM 18-7-5

Part 2 Section 607.5 (control location) AM 5-22-2; D 25-0-2

**REPORT OF HEARING:**

**Modification (if any):**

**Replace the proposal with the following:**

**607.2 Transfer Clearance.** A transfer clearance in front of bathtubs extending the length of the bathtub and 30 inches (760 mm) minimum in depth shall be provided. Where a permanent seat is provided at the head end of the bathtub, the transfer clearance shall extend 12 inches (305 mm) minimum beyond the wall at the head end of the bathtub.

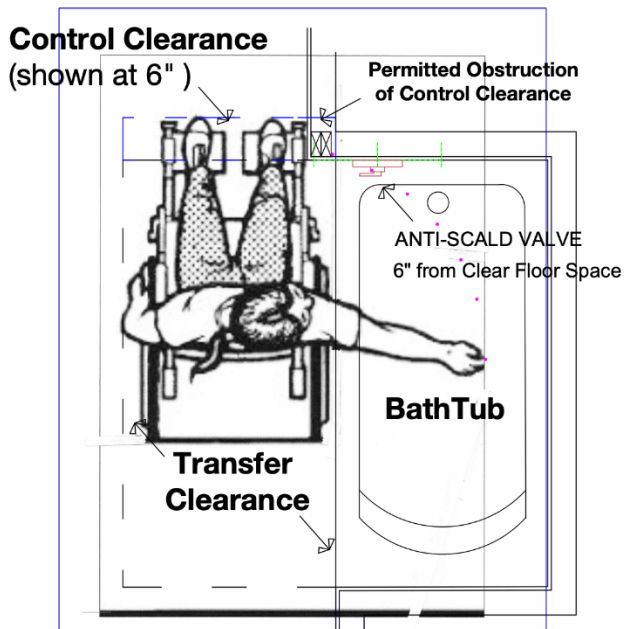
**FIGURE 607.2(A)**

**TRANSFER CLEARANCE FOR BATHTUBS WITH REMOVABLE IN TUB SEATS**

**FIGURE 607.2(B)**

**TRANSFER CLEARANCE FOR BATHTUBS WITH SEAT AT HEAD END OF TUB**

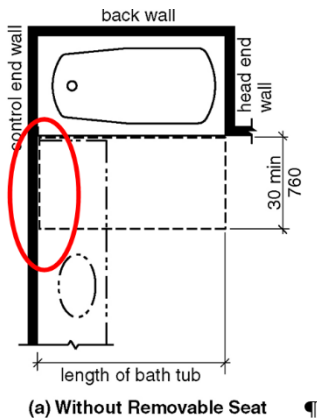
**607.3 Control Clearance.** The clear floor space for toe clearance complying with Section 306.2 at the controls shall extend 6 inches (152 mm) minimum beyond the control end wall. An obstruction by the control wall of 4 inches (102 mm) maximum shall be permitted.



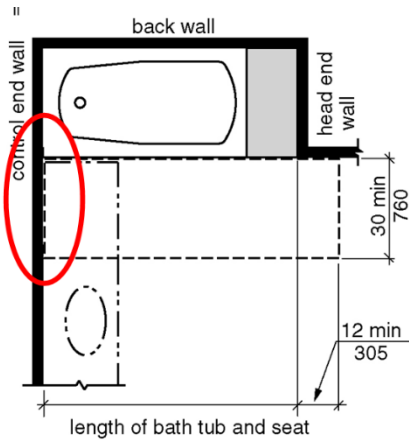
**FIGURE 607.3**  
**CLEARANCE FOR BATHTUBS CONTROLS**

*Note: The figure submitted is the suggested start for a new figure.*

*Note: The wall in the Figures 1103.11.2.5.1(A) and 1103.11.2.5.1(B) would be jogged to indicate the additional 6-inch control clearance in the new Figure 607.3*



**Figure 1103.11.2.5.1(A)**  
**CLEARANCE FOR BATHTUBS IN TYPE A UNITS WITH REMOVABLE SEATS**



(b) With Permanent Seat

**Figure 1103.11.2.5.1(B)**

**CLEARANCE FOR BATHTUBS IN TYPE A UNITS WITH PERMANENT SEATS**

**Committee Reason:** The proposal was divided for discussion. For clarity, the modification shows the final version approved by the committee. The acting chair, Gina Hilberry, determined that the change to Section 607.2 was editorial due to the change for control clearance. The replacement for the new Section 607.3 for control clearance aligns better with the information for reach based on the anthropometric information from Dr. Steinfeld. The obstruction in the control clearance would allow for the physical elements in the wall needed to construct a corner. Since the widest part of the wheelchair is at the rear wheels, this will not be an obstruction for reach. There were concerns raised that the language was not clear and additional modifications are necessary. The committee felt that the current language in Section 607.5 for control location provided better direction since it included all of the controls (temperature, on/off, diverters) instead of just to the center of a valve. The proposed language assumed one center control, was too restrictive, and did not address the handle locations, spread mount controls or the diverter location.

607.2-HIRSCH.doc

**06-40 – 2021 Ballot Comments**

<b>BALLOT COMMENT 1- FIRST DRAFT:</b>
Proponent: <i>Doug Anderson, AHLA</i>
Desired Action: Negative with comment
Modification:
Reason: This will be very difficult to achieve in many existing bathrooms. Existing conditions should be exempted from this requirement.
<b>BALLOT COMMENT 2- FIRST DRAFT:</b>
Proponent: <i>Daniel Dain, AIA</i>
Desired Action: Affirmative with comment
Modification:
Reason: Review all locations of “clear floor space” vs “clearance” or “transfer clearance” and confirm they are distinctly used if and where there is a clear distinction. The standard also uses maneuvering clearance and consider that a toilet requires transfer

clearance in the same manner as a tub or shower seat. Also note that without reference to 305 there is no reference to 305.2 Floor surfaces.

**BALLOT COMMENT 3- FIRST DRAFT:**

Proponent: *Kimberly Paarlberg, ICC*

Desired Action: Negative with comment

Modification: See Ballot Comment 3

**BALLOT COMMENT 4- FIRST DRAFT:**

Proponent: *Daniel Buuck, NAHB*

Desired Action: Negative with comment

Modification:

Reason: The addition of the clearance beyond the control wall will have significant impacts on the current design of bathrooms in multi-family, requiring additional square footage to be dedicated to bathrooms. This would increase the cost per unit of construction in multifamily construction, making it more difficult to provide affordable accessible housing.

## 06-40 – 2021 Ballot Comment 3

607.2, 607.3

Proponent: Kimberly Paarlberg, AIA

Revise as follows:

Further modify

**607.2 Transfer Clearance.** A ~~transfer~~ clearance in front of bathtubs extending the length of the bathtub and 30 inches (760 mm) minimum in depth shall be provided. Where a permanent seat is provided at the head end of the bathtub, the transfer clearance shall extend 12 inches (305 mm) minimum beyond the wall at the head end of the bathtub.

**FIGURE 607.2(A)**

**~~TRANSFER~~ CLEARANCE FOR BATHTUBS WITH REMOVABLE IN TUB SEATS**

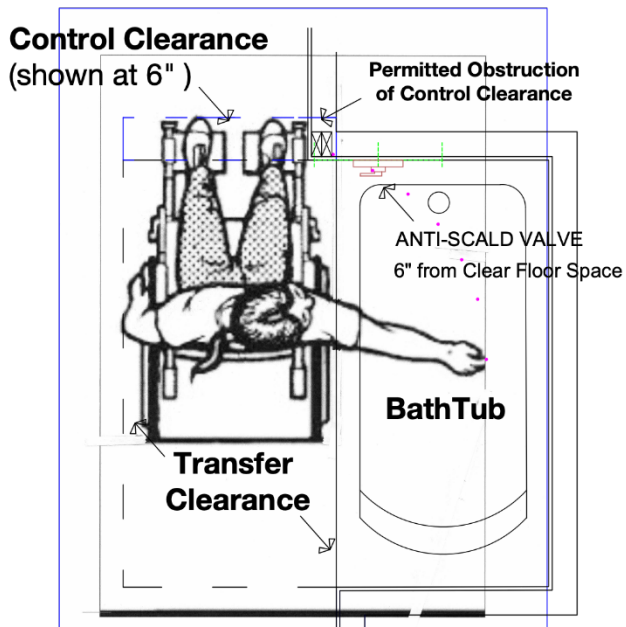
**FIGURE 607.2(B)**

**~~TRANSFER~~ CLEARANCE FOR BATHTUBS WITH SEAT AT HEAD END OF TUB**

**607.3 Control Clearance.** ~~The A~~ clear floor space for access to bathtub controls, for toe clearance complying with Section 306.2 at the controls shall extend 6 inches (152 mm) minimum beyond the control end wall. ~~An obstruction by the control wall of 4 inches (102 mm) maximum shall be permitted.~~

**Exception:** The control wall shall be permitted to overlap the clear floor space 4 inches (102 mm) maximum measure horizontally from the outside face of the bathtub.





**FIGURE 607.3**  
**CLEARANCE FOR BATHTUBS CONTROLS**

**REASON:** This is a request for disapproval.

The proposal changed the clearance in front of the tub to ‘transfer clearance’. The clearance in front of the tub is for positioning and transfer. In addition, by putting this at tubs – why is it not at water closets, tubs, showers, benches, beds – anyplace where someone is transferring? This additional term will add confusion.

The requirements for toe clearance in the ICC A117.1 Section 306.2 talks about a 30” minimum width, a 6” maximum depth and a 9” minimum in height. Is this toe clearance permitted to be under an accessible lavatory? If the tub is at the end of the room, this could require the entire room to be made 6” wider. You cannot cut into a plumbing wall that moves up a building with water supply, drainage and vent piping – so this would require a 6” furr out for the head of the tub.

The justification for this is based on Dr. Steinfeld’s reach study, but it does not take into consideration that the controls are inches off of the control wall surface.

The last sentence of 607.3 allows for construction of a corner that would now be required. However the 4” does not address the thickness of drywall or tile. The language of “an obstruction by the control wall” is confusion.

If the committee still feels this additional space is needed I would propose the above modifications:

**Committee Action for Ballot Comment 3:**

**REPORT OF HEARING:**

**Modification (if any):**

---

## 06-40 – 2021 Public Comment 1

607.2, 607.2.1

**Proponent:** Marsha Mazz, representing the Terminology Task Group

**Further revise as follows:**

### SECTION 607 BATHTUBS

**607.1 General.** Bathtubs shall comply with Section 607.

**607.2 Transfer Maneuvering Clearance.** A transfer maneuvering clearance ~~in front of~~ at bathtubs extending the length of the bathtub and 30 inches (760 mm) minimum in depth shall be provided. Where a permanent seat is provided at the head end of the bathtub, the transfer maneuvering clearance at the bathtub shall extend 12 inches (305 mm) minimum beyond the wall at the head end of the bathtub.

**Figure 607.2 (A)**

**TRANSFER MANEUVERING CLEARANCE ~~FOR~~ AT BATHTUBS WITH REMOVABLE IN TUB SEATS**

**FIGURE 607.2(B)**

**TRANSFER MANEUVERING CLEARANCE ~~FOR~~ AT BATHTUBS WITH SEAT AT HEAD END OF TUB**

**607.2.1 Clear floor space at the Controls Clearance.** The clear floor space ~~for toe clearance complying with Section 306.2~~ at the controls shall extend 6 inches (152 mm) minimum beyond the control end wall. ~~An obstruction by the control wall of 4 inches (102 mm) maximum shall be permitted. An obstruction for the clear floor space shall be permitted at the control wall and 4 inches (102 mm) maximum, measured horizontally.~~

**FIGURE ~~607.3~~ 607.2.1**

**CLEARANCE CLEAR FLOOR SPACE FOR BATHTUBS CONTROLS**

---

**REASON:** This is part of a proposal from the Terminology task group to define the building blocks so that a reference is not required. This public comment is included here because it was part of new text. Please see the complete proposal for additional information.

---

**Committee Action for Public Comment 1:**

**REPORT OF HEARING:**

**Modification (if any):**

**Committee Reason:**

## 06-40 – 2021 Public Comment 2

### 607.3

**Proponent:** Dan Buuck, National Association of Home Builders (NAHB)

**Further revise as follows:**

#### SECTION 607 BATHTUBS

**607.3 Control Clearance.** ~~Where a~~ The clear floor space for toe clearance complying with Section 306.2 at the controls ~~shall extend~~ 6 inches (152 mm) minimum beyond the control end wall. ~~An~~ an obstruction by the control wall of 4 inches (102 mm) maximum shall be permitted.

---

**REASON:** As currently written, the requirement for additional space beyond the control wall would require a major overhaul of standard residential building designs. I believe assumptions were made that led to the approval of this new requirement. For example, that the area could be taken from an adjacent space or that a current building design can be easily expanded to accommodate this space. This is far from universally true, and the additional costs for this change will likely have a negative effect on the affordability of accessible housing.

The reason statement for the original proposal stated that “technical infeasibility” would provide relief for existing buildings. However, the use of the technical infeasibility provision is limited and not broadly understood. As defined by the International Existing Building Code (IEBC), the term does not apply to all load-bearing members; it only encompasses those that are “an essential part of the structural frame.” It also does not apply to other site constraints unless they “prohibit” modifications. The concept of “technical infeasibility” is very subjective and should not be relied upon here. It may seem to some that an additional 6-inch space is not that much, but it could have an enormous impact on providing affordable housing in existing buildings.

---

**Committee Action for Ballot Comment 2:**

**REPORT OF HEARING:**

**Modification (if any):**

**Committee Reason:**

06-40 Buuck.doc

## 06-40 – 2021 Public Comment 3

### 607.3

**Proponent:** Peter Stratton, Steven Winter Associates, Inc.

**Further revise as follows:**

**SECTION 607  
BATHTUBS**

**607.3 Control Clearance.** The clear floor space for toe clearance complying with Section 306.2 at the controls shall extend 6 inches (152 mm) minimum beyond the control end wall. ~~An obstruction by the control wall of 4 inches (102 mm) maximum shall be permitted. Where the toe clearance extends beyond the control end wall, an encroachment of 4 inches maximum into the side of the toe clearance is permitted.~~

---

**REASON:** As originally proposed, the statement is not clear.

---

**Committee Action for Public Comment 3:**

**REPORT OF HEARING:**

**Modification (if any):**

**Committee Reason:**

06-40 Stratton.doc

---

**Committee Action for First Ballot:**

**REPORT OF HEARING:**

**Modification (if any):**

**Committee Reason:**

<b>Report for 06-40- 2021</b>		
<b>Committee decision: AM</b>	<b>Committee Vote at Meeting: 18-7-5</b>	<b>Committee Vote on Ballot: 36-4-1</b>
<b>REPORT OF HEARING:</b> Modification (if any): <b>Replace the proposal with the following:</b>		
<b>607.2 Transfer Clearance.</b> A <u>transfer</u> clearance in front of bathtubs extending the length of the bathtub and 30 inches (760 mm) minimum in depth shall be provided. Where a permanent seat is provided at the head end of the bathtub, the <u>transfer</u> clearance shall extend 12 inches (305 mm) minimum beyond the wall at the head end of the bathtub.		
<b>FIGURE 607.2(A)</b> <b><u>TRANSFER CLEARANCE FOR BATHTUBS WITH REMOVABLE IN TUB SEATS</u></b>		
<b>FIGURE 607.2(B)</b> <b><u>TRANSFER CLEARANCE FOR BATHTUBS WITH SEAT AT HEAD END OF TUB</u></b>		
<b>607.3 Control Clearance.</b> The clear floor space for toe clearance complying with Section 306.2 at the controls shall extend 6 inches (152 mm) minimum beyond the control end wall. <u>An obstruction by the control wall of 4 inches (102 mm) maximum shall be permitted.</u>		
<i>Note: This figure submitted is the suggested start for a new figure.</i>		
<b>FIGURE 607.3</b> <b><u>CLEARANCE FOR BATHTUBS CONTROLS</u></b>		
<i>Note: The wall in the Figures 1103.11.2.5.1(A) and 1103.11.2.5.1(B) would be jogged to indicate the additional 6-inch control clearance in the new Figure 607.3</i>		
<b>Figure 1103.11.2.5.1(A)</b> <b><u>CLEARANCE FOR BATHTUBS IN TYPE A UNITS WITH REMOVABLE SEATS</u></b>		

**Report for 06-40-2021**

**Figure 1103.11.2.5.1(B)  
CLEARANCE FOR BATHTUBS IN TYPE A UNITS WITH PERMANENT SEATS**

Committee Reason: The proposal was divided for discussion. For clarity, the modification shows the final version approved by the committee. The acting chair, Gina Hilberry, determined that the change to Section 607.2 was editorial due to the change for control clearance. The replacement for the new Section 607.3 for control clearance aligns better with the information for reach based on the anthropometric information from Dr. Steinfeld. The obstruction in the control clearance would allow for the physical elements in the wall needed to construct a corner. Since the widest part of the wheelchair is at the rear wheels, this will not be an obstruction for reach. There were concerns raised that the language was not clear and additional modifications are necessary. The committee felt that the current language in Section 607.5 for control location provided better direction since it included all of the controls (temperature, on/off, diverters) instead of just to the center of a valve. The proposed language assumed one center control, was too restrictive, and did not address the handle locations, spread mount controls or the diverter location.

**BALLOT COMMENT 1- FIRST DRAFT:**

Proponent: *Doug Anderson, AHLA*

Desired Action: Negative with comment

Modification:

Reason: This will be very difficult to achieve in many existing bathrooms. Existing conditions should be exempted from this requirement.

**BALLOT COMMENT 2- FIRST DRAFT:**

Proponent: *Daniel Dain, AIA*

Desired Action: Affirmative with comment

Modification:

Reason: Review all locations of "clear floor space" vs "clearance" or "transfer clearance" and confirm they are distinctly used if and where there is a clear distinction. The standard also uses maneuvering clearance and consider that a toilet requires transfer clearance in the same manner as a tub or shower seat. Also note that without reference to 305 there is no reference to 305.2 Floor surfaces.

**BALLOT COMMENT 3- FIRST DRAFT:**

Proponent: *Kimberly Paarlberg, ICC*

Desired Action: Negative with comment

Modification:

**Further modify**

**607.2 Transfer Clearance.** A transfer clearance in front of bathtubs extending the length of the bathtub and 30 inches (760 mm) minimum in depth shall be provided. Where a permanent seat is provided at the head end of the bathtub, the transfer clearance shall extend 12 inches (305 mm) minimum beyond the wall at the head end of the bathtub.

**FIGURE 607.2(A)**

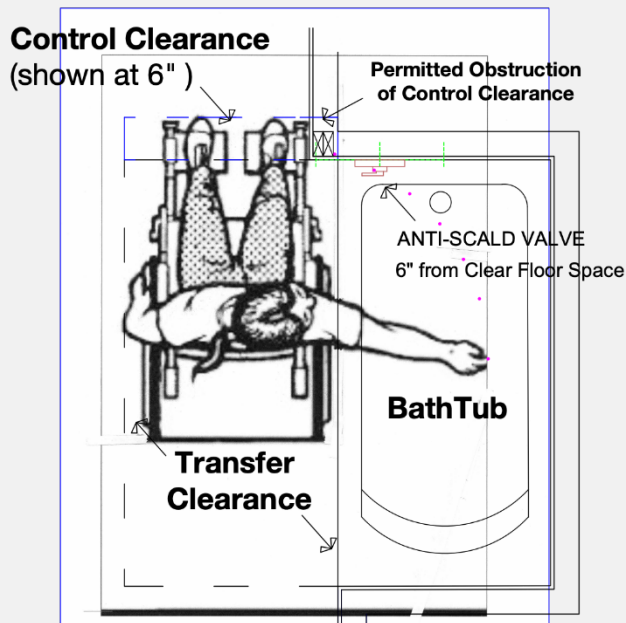
**TRANSFER CLEARANCE FOR BATHTUBS WITH REMOVABLE IN TUB SEATS**

**FIGURE 607.2(B)**

**TRANSFER CLEARANCE FOR BATHTUBS WITH SEAT AT HEAD END OF TUB**

**607.3 Control Clearance.** The A clear floor space for access to bathtub controls, for toe clearance complying with Section 306.2 at the controls shall extend 6 inches (152 mm) minimum beyond the control end wall. An obstruction by the control wall of 4 inches (102 mm) maximum shall be permitted.

Exception: The control wall shall be permitted to overlap the clear floor space 4 inches (102 mm) maximum measure horizontally from the outside face of the bathtub.



**FIGURE 607.3**

## Report for 06-40– 2021

### CLEARANCE FOR BATHTUBS CONTROLS

Reason:

This is a request for disapproval.

The proposal changed the clearance in front of the tub to 'transfer clearance'. The clearance in front of the tub is for positioning and transfer. In addition, by putting this at tubs – why is it not at water closets, tubs, showers, benches, beds – anyplace where someone is transferring? This additional term will add confusion.

The requirements for toe clearance in the ICC A117.1 Section 306.2 talks about a 30" minimum width, a 6" maximum depth and a 9" minimum in height. Is this toe clearance permitted to be under an accessible lavatory? If the tub is at the end of the room, this could require the entire room to be made 6" wider. You cannot cut into a plumbing wall that moves up a building with water supply, drainage and vent piping – so this would require a 6" furr out for the head of the tub.

The justification for this is based on Dr. Steinfeld's reach study, but it does not take into consideration that the controls are inches off of the control wall surface.

The last sentence of 607.3 allows for construction of a corner that would now be required. However the 4" does not address the thickness of drywall or tile. The language of "an obstruction by the control wall" is confusion.

If the committee still feels this additional space is needed I would propose the following modifications:

### BALLOT COMMENT 4- FIRST DRAFT:

Proponent: *Daniel Buuck, NAHB*

Desired Action: Negative with comment

Modification:

Reason: The addition of the clearance beyond the control wall will have significant impacts on the current design of bathrooms in multi-family, requiring additional square footage to be dedicated to bathrooms. This would increase the cost per unit of construction in multifamily construction, making it more difficult to provide affordable accessible housing.

**Committee decision:** AS/AM/D

**Committee Vote at Meeting:**

**Committee Vote on Ballot:**

### REPORT OF HEARING – FIRST DRAFT

Modification (if any):

Committee Reason:

### BALLOT COMMENT- SECOND DRAFT:

Proponent:

Desired Action:

Modification:

Reason:

**Committee decision:** AS/AM/D

**Committee Vote at Meeting:**

**Committee Vote on Ballot:**

### FINAL ACTION:

Modification (if any):

Committee Reason:

# 06-41– 2021 overview

Proposal number	Proponent	Standard Sections	Committee Actions	Mtg. Date	Notes; Groups; groupings
06-41	Anderson – Accessible bathing	607.2, Figure 607.2(C)(New)	AM 17-8-4	10-20-22	Bathing- 06-41, 42 & 45 replace 06-41, 42, 45, 50, 81

Comment	Proponent	Requested Action	Committee Action	Mtg. Date	Notes; Groups; groupings
BC1	Paarlberg, ICC	Affirmative			Editorial – See 06-45

BC= Ballot Comment, PC= Public comment, **Bold Comment number** is proposed revision below

## 06-41 – 2021

### 607.2, Figure 607.2(C)(New)

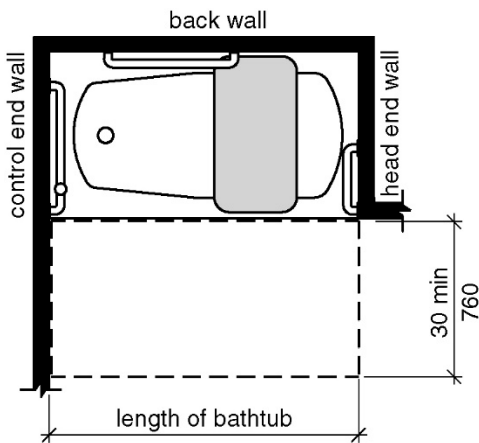
**Proponent:** Doug Anderson, representing A117.1 Accessible Bathing Task Group

**Revise as follows:**

### SECTION 607 BATHTUBS

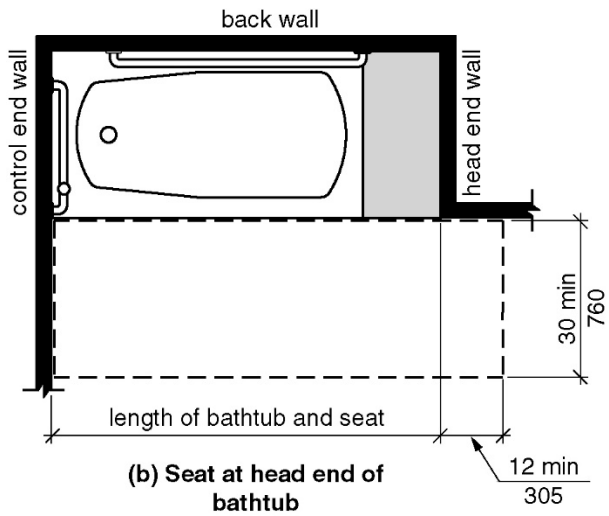
**607.2 Clearance.** A clearance in front of bathtubs extending the length of the bathtub and 30 inches (760 mm) minimum in depth shall be provided. Where a permanent seat or fixed folding in-tub seat is provided at the head end of the bathtub, the clearance shall extend 12 inches (305 mm) minimum beyond the wall at the head end of the bathtub.

**Exception:** In an existing bathtub where the interior size of the bathroom is not enlarged and a fixed folding in-tub seat is installed, the 12 inches (305 mm) clearance beyond wall at the head end of the bathtub is not required.

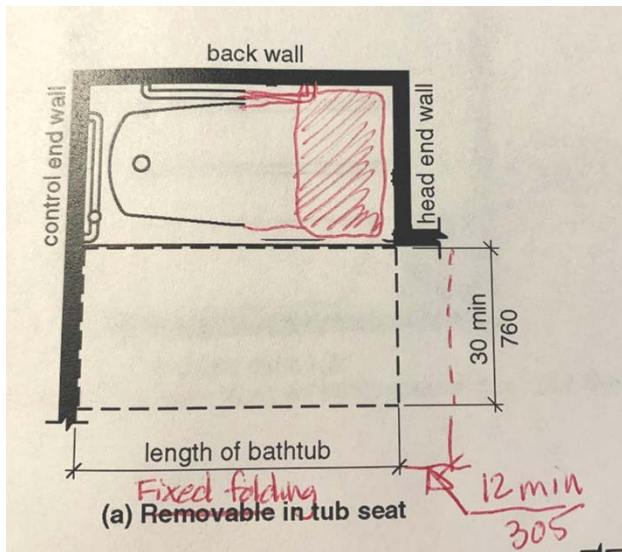


(a) Removable in tub seat

**FIGURE 607.2(A)  
CLEARANCE FOR BATHTUBS WITH REMOVABLE IN TUB SEATS**



**FIGURE 607.2(B)**  
**CLEARANCE FOR BATHTUBS WITH SEAT AT HEAD END OF TUB**



**FIGURE 607.2(C)**  
**CLEARANCE FOR BATHTUBS WITH FIXED FOLDING IN-TUB SEAT AT HEAD END OF TUB**

**Reason:** Additional clearance would be needed when in tub seats are mounted on the headwall. The photos are to illustrate what this proposal is talking about.





**Staff Note:** This proposal is from the A117.1 Accessible Bathing Task Group. Proposals 06-41, 06-42, 06-45, 06-50 and 06-81 are all related to bathtubs with a fixed folding in-tub seat.

## **06-41 – 2021 Replacement**

**Figure 607.2(A), 607.4.2, , Figure 607.4.2(A), Figure 607.4.2(B), 610.2, Figure 610.2(A), Figure 610.2(B), 610.2.1(New), 610.2.2(New)**

**Proponent:** Doug Anderson, representing A117.1 Accessible Bathing Task Group

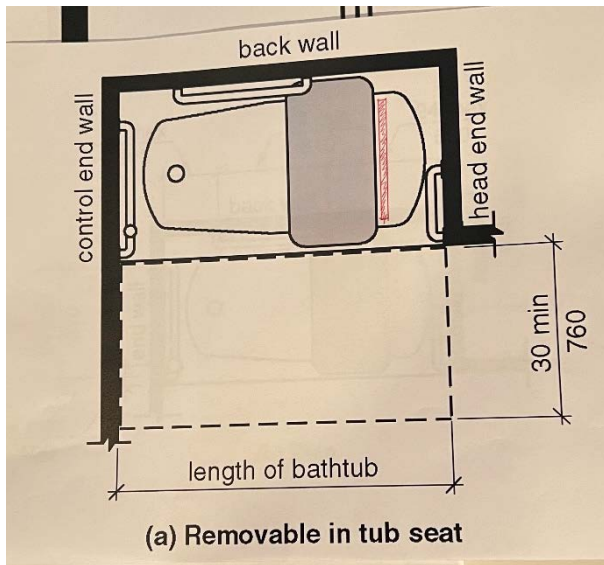
Note: Proposals 06-41, 06-42, 06-45, 06-50 and 06-81 are all related to bathtubs. Modifications to 06-41, 06-42 and 06-45 will replace the 5 proposal (separated by section) with 3 proposals (separated to one for each type of bathtub seat configuration).

**Replace with the following:**

### **SECTION 607 BATHTUBS**

**607.1 General.** Bathtubs shall comply with Section 607.

**607.2 Clearance.** A clearance in front of bathtubs extending the length of the bathtub and 30 inches (760 mm) minimum in depth shall be provided. Where a permanent seat is provided at the head end of the bathtub, the clearance shall extend 12 inches (305 mm) minimum beyond the wall at the head end of the bathtub.



**FIGURE 607.2(A)**  
**CLEARANCE FOR BATHTUBS WITH REMOVABLE IN-TUB SEATS**

*Note – seat would have to move forward in graphic*

**FIGURE 607.2(B)**  
**CLEARANCE FOR BATHTUBS WITH SEAT AT HEAD END OF TUB**

**607.3 Seat.** A permanent seat at the head end of the bathtub or a removable in-tub seat shall be provided. Seats shall comply with Section 610.

**607.4 Grab bars.** Grab bars shall comply with Section 609 and shall be provided in accordance with Section 607.4.1 or 607.4.2.

**Exception:** Grab bars shall not be required to be installed in a bathing facility for a single occupant accessed only through a private office and not for common use or public use, provided reinforcement has been installed in walls and located so as to permit the installation of grab bars complying with Section 607.4.

**607.4.1 Bathtubs with permanent seats.** For bathtubs with permanent seats, grab bars complying with Section 607.4.1 shall be provided.

**Figure 607.4.1(A) Grab Bars for Bathtubs with Seat at Head End of Tub - Elevation**

**Figure 607.4.1(B) Grab Bars for Bathtubs with Seat at Head End of Tub - Plan**

**607.4.1.1 Back wall.** Two horizontal grab bars shall be provided on the back wall, one complying with Section 609.4 and the other located 8 inches (205 mm) minimum and 10 inches (255 mm) maximum above the rim of the bathtub. Each grab bar shall be located 15 inches (380 mm) maximum from the head end wall and extend to 12 inches (305 mm) maximum from the control end wall.

**607.4.1.2 Control end wall.** Control end wall grab bars shall comply with Section 607.4.1.2.

**Exception:** An L-shaped continuous grab bar of equivalent dimensions and positioning shall be permitted to serve the function of separate vertical and horizontal grab bars.

**607.4.1.2.1 Horizontal grab bar.** A horizontal grab bar 24 inches (610 mm) minimum in length shall be provided on the control end wall beginning near the front edge of the bathtub and extending toward the inside corner of the bathtub.

**607.4.1.2.2 Vertical grab bar.** A vertical grab bar 18 inches (455 mm) minimum in length shall be provided on the control end wall 3 inches (75 mm) minimum and 6 inches (150 mm) maximum above the horizontal grab bar, and 4 inches (100 mm) maximum inward from the front edge of the bathtub.

**607.4.2 Bathtubs with removable in-tub seats.** For bathtubs with removable in-tub seats, grab bars complying with Section 607.4.2 shall be provided.

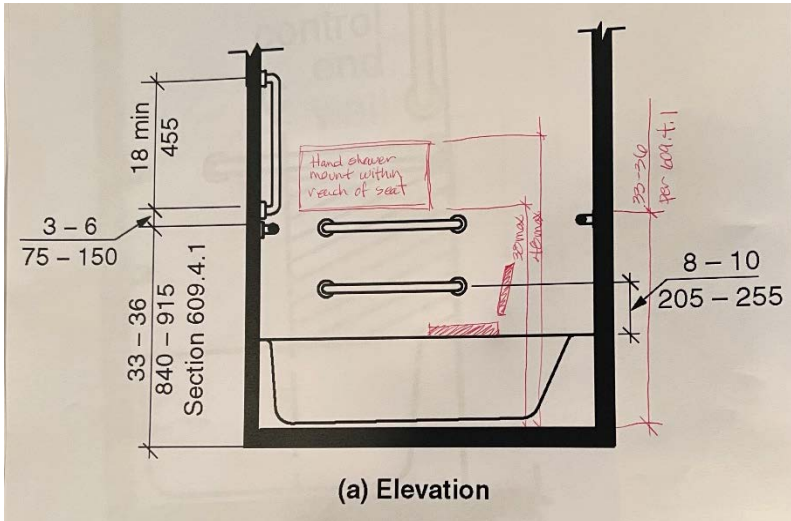


Figure 607.4.2(A) Grab Bars for Bathtubs with Removable In-tub Seats – Elevation  
*Note – seat would have to move forward in graphic*

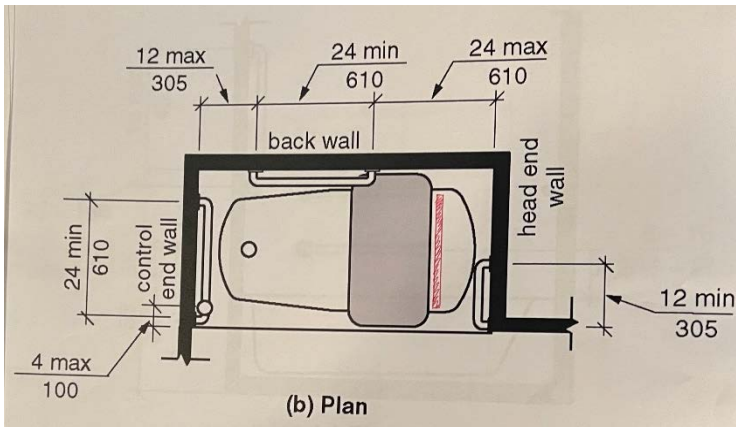


Figure 607.4.2(B) Grab Bars for Bathtubs with Removable In-tub Seats - Plan  
*Note – seat would have to move forward in graphic*

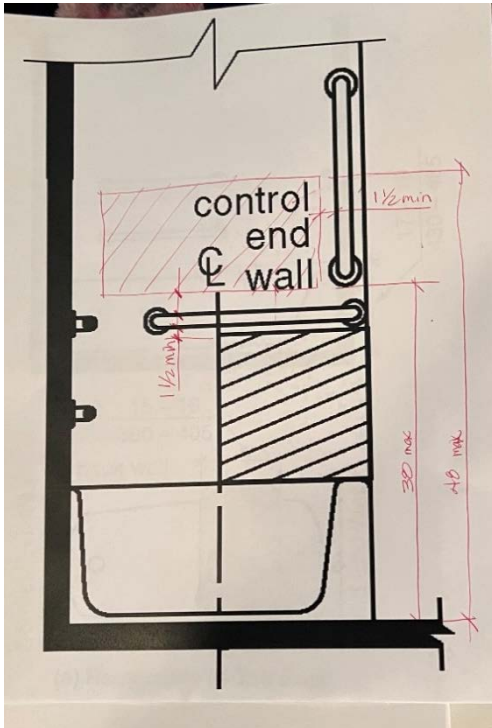
**607.4.2.1 Back wall.** Two horizontal grab bars shall be provided on the back wall, one complying with Section 609.4 and the other located 8 inches (205 mm) minimum and 10 inches (255 mm) maximum above the rim of the bathtub. Each grab bar shall be 24 inches (610 mm) minimum in length, located 24 inches (610 mm) maximum from the head end wall and extend to 12 inches (305 mm) maximum from the control end wall.

**607.4.2.2 Control end wall.** Control end wall grab bars shall comply with Section 607.4.1.2.

**607.4.2.3 Head end wall.** A horizontal grab bar 12 inches (305 mm) minimum in length shall be provided on the head end wall at the front edge of the bathtub.

*(Note - see task group recommendation for controls in 06-49)*

**607.5 Controls.** Controls, other than drain stoppers, shall be provided on an end wall, located between the bathtub rim and grab bar, and between the open side of the bathtub and the centerline of the width of the bathtub. Controls shall comply with Section 309.4.



**FIGURE 607.5**  
**LOCATION OF BATHTUB CONTROLS**

*(Note - see task group recommendation for mounts for hand showers in 06-49)*

**607.6 Hand shower.** A hand shower with a hose 59 inches (1500 mm) minimum in length, that can be used as both a fixed shower head and as a hand shower, shall be provided. The hand shower shall have a control with a nonpositive shut-off feature. Where provided, an adjustable-height hand shower mounted on a vertical bar shall be installed so as to not obstruct the use of grab bars.

**607.7 Bathtub enclosures.** Enclosures for bathtubs shall not obstruct controls, faucets, shower and spray units or obstruct transfer from wheelchairs onto bathtub seats or into bathtubs. Enclosures on bathtubs shall not have tracks installed on the rim of the bathtub.

**607.8 Water temperature.** Bathtubs shall deliver water that is 120°F (49°C) maximum.

## **SECTION 609**

### **GRAB BARS**

**609.1 General.** Grab bars in toilet or bathing facilities shall comply with Section 609.

**609.2 Cross section.** Grab bars shall have a cross section complying with Section 609.2.1 or 609.2.2.

**Figure 609.2 Size of Grab Bars**

**609.2.1 Circular cross section.** Grab bars with a circular cross section shall have an outside diameter of 1<sup>1</sup>/<sub>4</sub> inch (32 mm) minimum and 2 inches (51 mm) maximum.

**609.2.2 Noncircular cross section.** Grab bars with a noncircular cross section shall have a cross section dimension of 2 inches (51 mm) maximum, and a perimeter dimension of 4 inches (100 mm) minimum and 4.8 inches (120 mm) maximum.

**609.3 Spacing.** The space between the wall and the grab bar shall be 1-1/2 inches (38 mm). The space between the grab bar and projecting objects below and at the ends of the grab bar shall be 1-1/2 inches (38 mm) minimum. The space between the grab bar and projecting objects above the grab bar shall be 12 inches (305 mm) minimum.

**Exceptions:**

1. The space between the grab bars and shower controls, shower fittings, and other grab bars above the grab bar shall be permitted to be 1<sup>1</sup>/<sub>2</sub> inches (38 mm) minimum.
2. Recessed dispensers projecting from the wall 1/4 inch (6.4 mm) maximum measured from the face of the dispenser and complying with Section 604.7 shall be permitted within the 12-inch (305 mm) space above and the 1<sup>1</sup>/<sub>2</sub>-inch (38 mm) spaces below and at the ends of the grab bar.

**Figure 609.3 Spacing of Grab Bars**

**609.4 Position of grab bars.**

**609.4.1 General.** Grab bars shall be installed in a horizontal position, 33 inches (840 mm) minimum and 36 inches (915 mm) maximum above the floor measured to the top of the gripping surface or shall be installed as required by Items 1 through 3.

1. The lower grab bar on the back wall of a bathtub shall comply with Section 607.4.1.1 or 607.4.2.1.
2. Vertical grab bars shall comply with Sections 604.5.1.2, 607.4.1.2.2, 607.4.2.2 and 608.3.1.2.
3. Grab bars at water closets primarily for children's use shall comply with Section 609.4.2.

**609.4.2 Position of children's grab bars.** At water closets primarily for children's use complying with Section 604.11, grab bars shall be installed in a horizontal position 18 inches (455 mm) minimum and 27 inches (685 mm) maximum above the floor measured to the top of the gripping surface. A vertical grab bar shall be mounted with the bottom of the bar located between 21 inches (535 mm) minimum and 30 inches (760 mm) maximum above the floor and with the centerline of the bar located between 34 inches (865 mm) minimum and 36 inches (915 mm) maximum from the rear wall.

**Figure 609.4.2(A) Positions of Children's Grab Bars - Side-wall View**

**Figure 609.4.2(B) Positions of Children's Grab Bars - Rear-wall View**

**609.5 Surface hazards.** Grab bars and any wall or other surfaces adjacent to grab bars shall be free of sharp or abrasive elements. Edges shall be rounded.

**609.6 Fittings.** Grab bars shall not rotate within their fittings.

**609.7 Installation and configuration.** Grab bars shall be installed in any manner that provides a gripping surface at the locations specified in this standard and does not obstruct the clear floor space. Horizontal and vertical grab bars shall be permitted to be separate bars, a single piece bar, or combination thereof.

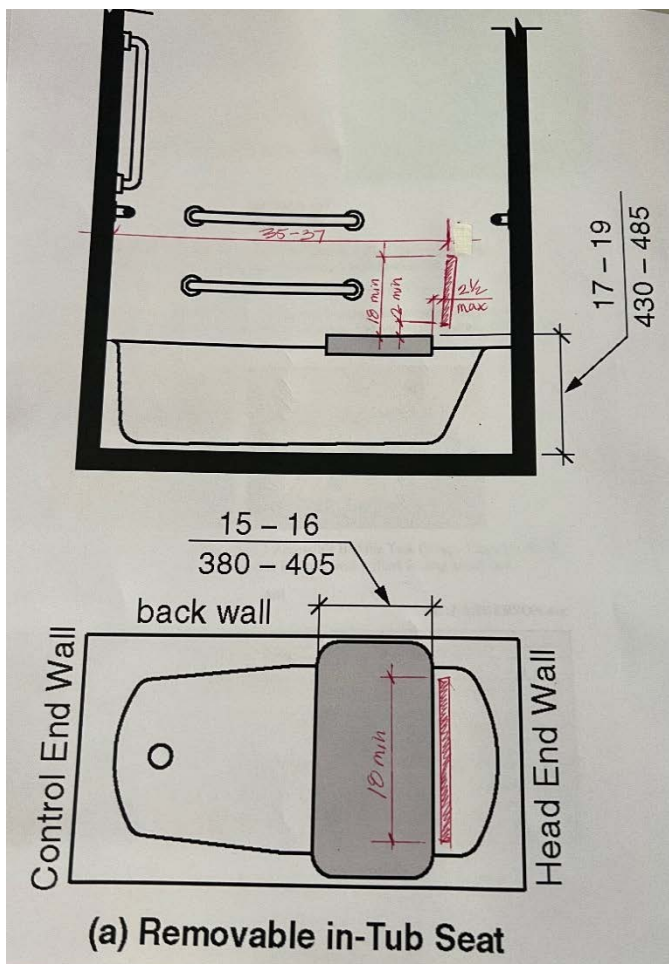
**609.8 Structural strength.** Allowable stresses shall not be exceeded for materials used where a vertical or horizontal force of 250 pounds (1112 N) is applied at any point on the grab bar, fastener mounting device, or supporting structure.

## SECTION 610 SEATS

**610.1 General.** Seats in bathtubs and shower compartments shall comply with Section 610.

**610.2 Bathtub seats.** The height of bathtub seats shall be 17 inches (430 mm) minimum and 19 inches (485 mm) maximum above the bathroom floor, measured to the top of the seat.

**610.2.1 Removable in-tub seats.** Removable in-tub seats shall be 15 inches (380 mm) minimum and 16 inches (405 mm) maximum in depth. The seat shall provide back support with the top edge of the back support 18 inches (455 mm) minimum above the seat surface. Removable in-tub seats shall be capable of secure placement with the rear edge of the seat surface positioned 36 inches (914 mm) maximum from the control wall.



**FIGURE 610.2(A)-610.2.1  
BATHTUB SEATS  
REMOVABLE IN-TUB SEATS**

*Note – seat would have to move forward in graphic; add dimensions in the final text to the graphic*

**610.2.2 Permanent seats.** Permanent-seats shall be 15 inches (380 mm) minimum in depth and shall extend from the back wall to or beyond the outer edge of the bathtub. Permanent-seats shall be positioned at the head end of the bathtub.

**FIGURE ~~610.2(B)~~ 610.2.2  
BATHTUB SEATS  
SEAT PROVIDED AT HEAD END OF TUB**

**610.3 Shower compartment seats.** The height of shower compartment seats shall be 17 inches (430 mm) minimum and 19 inches (485 mm) maximum above the bathroom floor, measured to the top of the seat. In transfer-type and alternate roll-in-type showers, the seat shall extend along the seat wall to a point within 3 inches (75 mm) of the compartment entry. In standard roll-in-type showers, the seat shall extend from the control wall to a point within 3 inches (75 mm) of the compartment entry. Seats shall comply with Section 610.3.1 or 610.3.2.

**610.3.1 Rectangular seats.** The rear edge of a rectangular seat shall be 2½ inches (64 mm) maximum and the front edge 15 inches (380 mm) minimum and 16 inches (405 mm) maximum from the seat wall. The side edge of the seat shall be 1½ inches (38 mm) maximum from the back wall of a transfer-type shower and 1½ inches (38 mm) maximum from the control wall of a roll-in-type shower.

Figure 610.3.1 Rectangular Shower Compartment Seats

**610.3.2 L-shaped seats.** The rear edge of an L-shaped seat shall be 2½ inches (64 mm) maximum and the front edge 15 inches (380 mm) minimum and 16 inches (405 mm) maximum from the seat wall. The rear edge of the “L” portion of the seat shall be 1½ inches (38 mm) maximum from the wall and the front edge shall be 14 inches (355 mm) minimum and 15 inches (380 mm) maximum from the wall. The end of the “L” shall be 22 inches (560 mm) minimum and 23 inches (585 mm) maximum from the main seat wall.

Figure 610.3.2 L-shaped Shower Compartment Seats

**610.4 Structural strength.** Allowable stresses shall not be exceeded for materials used where a vertical or horizontal force of 250 pounds (1112 N) is applied at any point on the seat, fastener mounting device, or supporting structure.

---

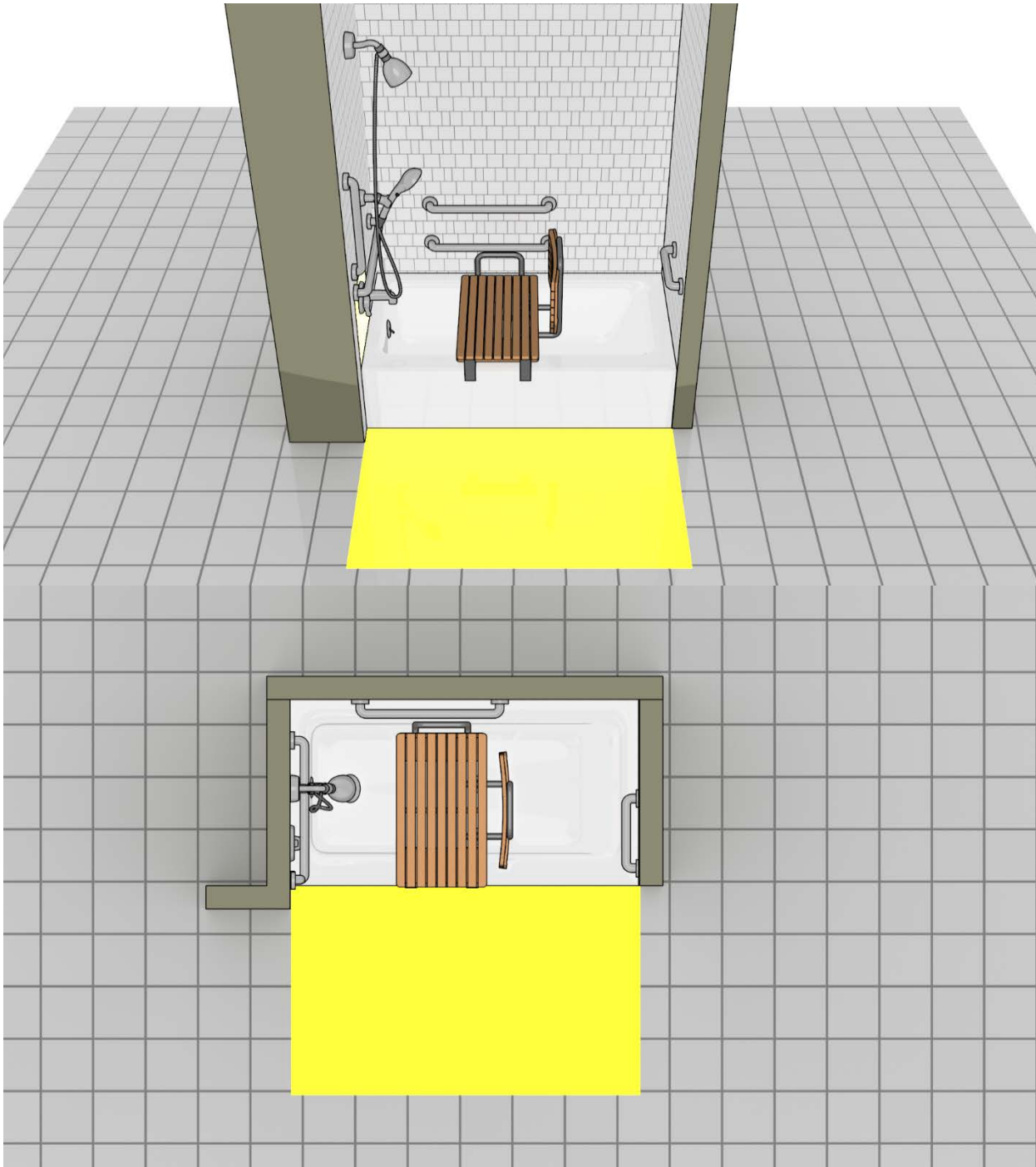
Reason:

Purpose - The task group would like a seat back, but there were no examples of seats with backs that met all of the discussed criteria. The task group would like input from the industry on the back size and any structural/attachment considerations.

Change term to ‘removeable in-tub seat’ for consistency throughout the document.

Have the seat be capable of being located within reach of the controls.

The clarification of the controls and mount for the hand shower will be addressed in the task group modification to 06-49.



---

Committee Action: Approval As Modified 17-8-4

**REPORT OF HEARING:**

**Modification (if any):** Proposals 06-41, 06-42, 06-45, 06-50 and 06-81 are all related to bathtubs. Modifications to 06-41, 06-42 and 06-45 will replace the 5 proposal (separated by section) with 3 proposals (separated to one for each type of bathtub seat configuration).



See the replacement proposal above to see the changes in context. The Report of Hearing will only indicate the changes to text and titles of figures. Revisions to the figures is the responsibility of the Editorial committee. It was noted that the task group did not have sufficient time to fully update the graphics submitted.

**607.4.2 Bathtubs with removable in-tub seats.** For bathtubs with removable in-tub seats, grab bars complying with Section 607.4.2 shall be provided.

Figure 607.4.2(A) Grab Bars for Bathtubs with Removable In-tub Seats – Elevation

Figure 607.4.2(B) Grab Bars for Bathtubs with Removable In-tub Seats - Plan

*(Note - see task group recommendation for controls and hand showers in 06-49)*

**610.2 Bathtub seats.** The height of bathtub seats shall be 17 inches (430 mm) minimum and 19 inches (485 mm) maximum above the bathroom floor, measured to the top of the seat.

**610.2.1 Removable in-tub seats.** Removable in-tub seats shall be 15 inches (380 mm) minimum and 16 inches (405 mm) maximum in depth. The seat shall provide back support with the top edge of the back support 18 inches (455 mm) minimum above the seat surface. Removable in-tub seats shall be capable of secure placement with the rear edge of the seat surface positioned 36 inches (914 mm) maximum from the control wall.

**FIGURE ~~610.2(A)~~ 610.2.1  
BATHTUB SEATS  
REMOVABLE IN-TUB SEATS**

**610.2.2 Permanent seats.** Permanent-seats shall be 15 inches (380 mm) minimum in depth and shall extend from the back wall to or beyond the outer edge of the bathtub. Permanent-seats shall be positioned at the head end of the bathtub.

**FIGURE ~~610.2(B)~~ 610.2.2  
BATHTUB SEATS  
SEAT PROVIDED AT HEAD END OF TUB**

**Committee Reason:** Locating the removable seat within the reach of controls will provide better access for persons using the seat while bathing. Adding a seat back will allow for greater stability. The task group noted that there were no examples of seats with backs currently available that met all of the discussed criteria. The task group would like input from the industry on the back size and any structural/attachment considerations.

**607.2\_ANDERSON**

---

## 06-41 – 2021 Ballot Comments

<b>BALLOT COMMENT 1- FIRST DRAFT:</b>
Proponent: <i>Kimberly Paarlberg, ICC</i>
Desired Action: Affirmative with comment

Modification:
Reason: This is the proposal for bathtubs with removeable seats. See comment to 06-45 for coordination

**Committee Action for First Ballot:**

**REPORT OF HEARING:**

**Modification (if any):**

**Committee Reason:**

<b>Report for 06-41– 2021</b>		
<b>Committee decision: AM</b>	<b>Committee Vote at Meeting: 17-8-4</b>	<b>Committee Vote on Ballot:39-1-1</b>
<b>REPORT OF HEARING:</b>		
Modification (if any): Proposals 06-41, 06-42, 06-45, 06-50 and 06-81 are all related to bathtubs. Modifications to 06-41, 06-42 and 06-45 will replace the 5 proposal (separated by section) with 3 proposals (separated to one for each type of bathtub seat configuration).		
See the replacement proposal above to see the changes in context. The Report of Hearing will only indicate the changes to text and titles of figures. Revisions to the figures is the responsibility of the Editorial committee. It was noted that the task group did not have sufficient time to fully update the graphics submitted.		
<b>607.4.2 Bathtubs with removable in-tub seats.</b> For bathtubs with removable <u>in-tub</u> seats, grab bars complying with Section 607.4.2 shall be provided. Figure 607.4.2(A) Grab Bars for Bathtubs with Removable <u>In-tub</u> Seats – Elevation Figure 607.4.2(B) Grab Bars for Bathtubs with Removable <u>In-tub</u> Seats - Plan		
<i>(Note - see task group recommendation for controls and hand showers in 06-49)</i>		
<b>610.2 Bathtub seats.</b> The height of bathtub seats shall be 17 inches (430 mm) minimum and 19 inches (485 mm) maximum above the bathroom floor, measured to the top of the seat.		
<b>610.2.1 Removable in-tub seats.</b> Removable in-tub seats shall be 15 inches (380 mm) minimum and 16 inches (405 mm) maximum in depth. <u>The seat shall provide back support with the top edge of the back support 18 inches (455 mm) minimum above the seat surface.</u> Removable in-tub seats shall be capable of secure placement <u>with the rear edge of the seat surface positioned 36 inches (914 mm) maximum from the control wall.</u>		
<b>FIGURE 610.2(A) 610.2.1 BATHTUB SEATS REMOVABLE IN-TUB SEATS</b>		
<b>610.2.2 Permanent seats.</b> Permanent-seats shall be 15 inches (380 mm) minimum in depth and shall extend from the back wall to or beyond the outer edge of the bathtub. Permanent-seats shall be positioned at the head end of the bathtub.		
<b>FIGURE 610.2(B) 610.2.2 BATHTUB SEATS SEAT PROVIDED AT HEAD END OF TUB</b>		
<b>Committee Reason:</b> Locating the removable seat within the reach of controls will provide better access for persons using the seat while bathing. Adding a seat back will allow for greater stability. The task group noted that there were no examples of seats with backs currently available that met all of the discussed criteria. The task group would like input from the industry on the back size and any structural/attachment considerations.		
<b>BALLOT COMMENT 1- FIRST DRAFT:</b>		
Proponent: <i>Kimberly Paarlberg, ICC</i>		
Desired Action: Affirmative with comment		
Modification:		
Reason: This is the proposal for bathtubs with removeable seats. See comment to 06-45 for coordination		
<b>Committee decision: AS/AM/D</b>	<b>Committee Vote at Meeting:</b>	<b>Committee Vote on Ballot:</b>
<b>REPORT OF HEARING – FIRST DRAFT</b>		
Modification (if any):		
Committee Reason:		
<b>BALLOT COMMENT- SECOND DRAFT:</b>		
Proponent:		
Desired Action:		
Modification:		
Reason:		
<b>Committee decision: AS/AM/D</b>	<b>Committee Vote at Meeting:</b>	<b>Committee Vote on Ballot:</b>
<b>FINAL ACTION:</b>		
Modification (if any):		
Committee Reason:		



## 06-42 – 2021 overview

Proposal number	Proponent	Standard Sections	Committee Actions	Mtg. Date	Notes; Groups; groupings
06-42	Anderson – Accessible bathing	607.3	AM 22-7-0	10-20-22	Bathing- 06-41, 42 & 45 replace 06-41, 42, 45, 50, 81

Comment	Proponent	Requested Action	Committee Action	Mtg. Date	Notes; Groups; groupings
BC1	Paarlberg, ICC	Affirmative			Editorial

BC= Ballot Comment, PC= Public comment, **Bold Comment number** is proposed revision below

## 06-42 – 2021

### 607.3

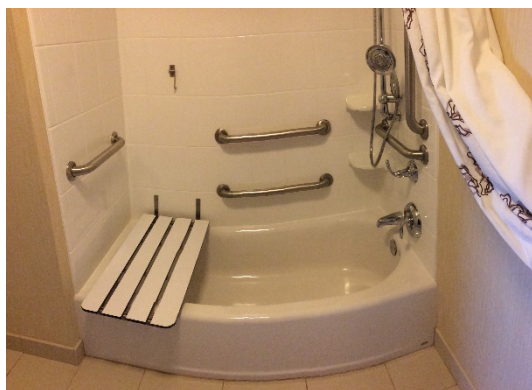
**Proponent:** Doug Anderson, representing A117.1 Accessible Bathing Task Group

**Revise as follows:**

### SECTION 607 BATHTUBS

**607.3 Seat.** A permanent seat at the head end of the bathtub, a fixed folding in-tub seat or a removable in-tub seat shall be provided. Seats shall comply with Section 610.

**REASON:** The industry is installing fixed folding in-tub seats and is proposing language to provide specifications for the location and adjacent features. The photos are to illustrate what this proposal is talking about.



**Staff Note:** This proposal is from the A117.1 Accessible Bathing Task Group. Proposals 06-41, 06-42, 06-45, 06-50 and 06-81 are all related to bathtubs with a fixed folding in-tub seat.

## 06-42 – 2021 Replacement

607.2, Figure 607.2(B), 607.3, 607.4.1, Figure 607.4.1(A), Figure 607.4.2(B), 610.2, 610.2.1(New), 610.2.2(New), Figure 601.2(B)

**Proponent:** Doug Anderson, representing A117.1 Accessible Bathing Task Group

Note: Proposals 06-41, 06-42, 06-45, 06-50 and 06-81 are all related to bathtubs. Modifications to 06-41, 06-42 and 06-45 will replace the 5 proposals (separated by section) with 3 proposals (separated to one for each type of bathtub seat configuration).

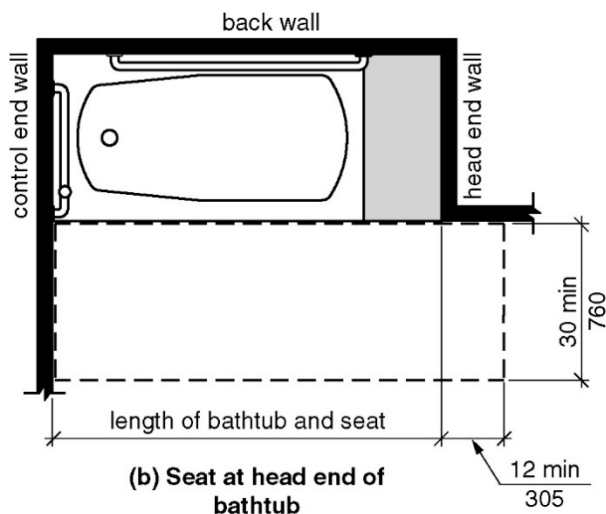
**Replace with the following:**

### SECTION 607 BATHTUBS

**607.1 General.** Bathtubs shall comply with Section 607.

**607.2 Clearance.** A clearance in front of bathtubs extending the length of the bathtub and 30 inches (760 mm) minimum in depth shall be provided. Where a permanent seat transfer platform is provided at the head end of the bathtub, the clearance shall extend 12 inches (305 mm) minimum beyond the wall at the head end of the bathtub.

**FIGURE 607.2(A)  
CLEARANCE FOR BATHTUBS WITH REMOVABLE IN TUB SEATS**



**FIGURE 607.2(B)  
CLEARANCE FOR BATHTUBS WITH TRANSFER PLATFORMS SEAT AT HEAD END OF TUB**

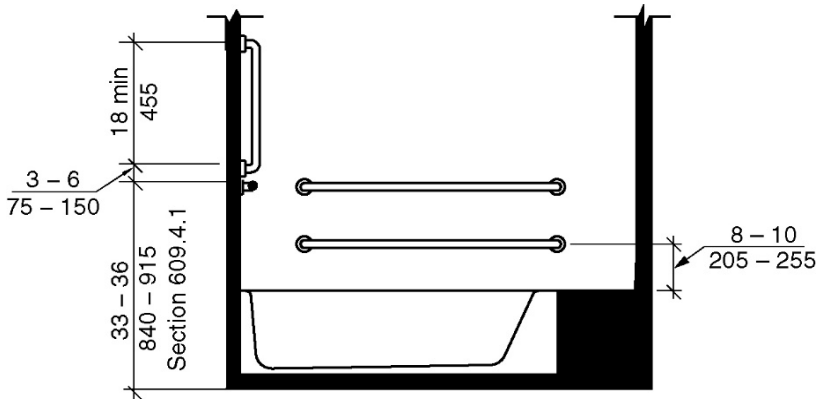
*Note: Add removeable seat to drawing*

**607.3 Seats.** A ~~permanent seat at the head end of the bathtub~~ or a removable in-tub seat shall be provided. Removable in-tub Seats and transfer platforms shall comply with Section 610.

**607.4 Grab bars.** Grab bars shall comply with Section 609 and shall be provided in accordance with Section 607.4.1 or 607.4.2.

**Exception:** Grab bars shall not be required to be installed in a bathing facility for a single occupant accessed only through a private office and not for common use or public use, provided reinforcement has been installed in walls and located so as to permit the installation of grab bars complying with Section 607.4.

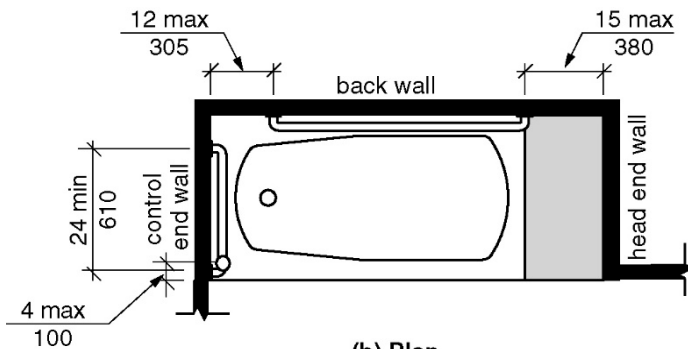
**607.4.1 Bathtubs with permanent seats transfer platforms.** For bathtubs with permanent seats transfer platforms, grab bars complying with Section 607.4.1 shall be provided.



(a) Elevation

Figure 607.4.1(A) Grab Bars for Bathtubs with Seat-Transfer Platforms at Head End of Tub – Elevation

*Note: Add removable seat to drawing*



(b) Plan

Figure 607.4.1(B) Grab Bars for Bathtubs with Seat-Transfer Platforms at Head End of Tub – Plan

*Note: Add removable seat to drawing*

**607.4.1.1 Back wall.** Two horizontal grab bars shall be provided on the back wall, one complying with Section 609.4 and the other located 8 inches (205 mm) minimum and 10 inches (255 mm) maximum above the rim of the bathtub. Each grab bar shall be located 15 inches (380 mm) maximum from the head end wall and extend to 12 inches (305 mm) maximum from the control end wall.

**607.4.1.2 Control end wall.** Control end wall grab bars shall comply with Section 607.4.1.2.

**Exception:** An L-shaped continuous grab bar of equivalent dimensions and positioning shall be permitted to serve the function of separate vertical and horizontal grab bars.

**607.4.1.2.1 Horizontal grab bar.** A horizontal grab bar 24 inches (610 mm) minimum in length shall be provided on the control end wall beginning near the front edge of the bathtub and extending toward the inside corner of the bathtub.

**607.4.1.2.2 Vertical grab bar.** A vertical grab bar 18 inches (455 mm) minimum in length shall be provided on the control end wall 3 inches (75 mm) minimum and 6 inches (150 mm) maximum above the horizontal grab bar, and 4 inches (100 mm) maximum inward from the front edge of the bathtub.

**607.4.2 Bathtubs with removable seats.** For bathtubs with removable seats, grab bars complying with Section 607.4.2 shall be provided.

**Figure 607.4.2(A) Grab Bars for Bathtubs with Removable Seats – Elevation**

**Figure 607.4.2(B) Grab Bars for Bathtubs with Removable Seats - Plan**

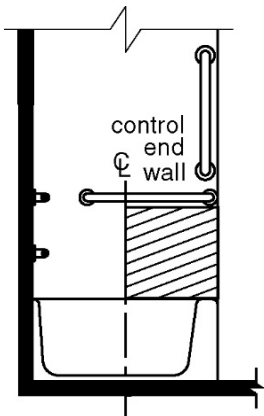
**607.4.2.1 Back wall.** Two horizontal grab bars shall be provided on the back wall, one complying with Section 609.4 and the other located 8 inches (205 mm) minimum and 10 inches (255 mm) maximum above the rim of the bathtub. Each grab bar shall be 24 inches (610 mm) minimum in length, located 24 inches (610 mm) maximum from the head end wall and extend to 12 inches (305 mm) maximum from the control end wall.

**607.4.2.2 Control end wall.** Control end wall grab bars shall comply with Section 607.4.1.2.

**607.4.2.3 Head end wall.** A horizontal grab bar 12 inches (305 mm) minimum in length shall be provided on the head end wall at the front edge of the bathtub.

*(Note - see task group recommendation for controls in 06-49)*

**607.5 Controls.** Controls, other than drain stoppers, shall be provided on an end wall, located between the bathtub rim and grab bar, and between the open side of the bathtub and the centerline of the width of the bathtub. Controls shall comply with Section 309.4.



**FIGURE 607.5  
LOCATION OF BATHTUB CONTROLS**

*(Note - see task group recommendation for controls in 06-49)*

**607.6 Hand shower.** A hand shower with a hose 59 inches (1500 mm) minimum in length, that can be used as both a fixed shower head and as a hand shower, shall be provided. The hand shower shall have a control with a nonpositive shut-off feature. Where provided, an adjustable-height hand shower mounted on a vertical bar shall be installed so as to not obstruct the use of grab bars.

**607.7 Bathtub enclosures.** Enclosures for bathtubs shall not obstruct controls, faucets, shower and spray units or obstruct transfer from wheelchairs onto bathtub seats or into bathtubs. Enclosures on bathtubs shall not have tracks installed on the rim of the bathtub.

**607.8 Water temperature.** Bathtubs shall deliver water that is 120°F (49°C) maximum.

## **SECTION 609 GRAB BARS**

**609.1 General.** Grab bars in toilet or bathing facilities shall comply with Section 609.

**609.2 Cross section.** Grab bars shall have a cross section complying with Section 609.2.1 or 609.2.2.

### **Figure 609.2 Size of Grab Bars**

**609.2.1 Circular cross section.** Grab bars with a circular cross section shall have an outside diameter of 1<sup>1</sup>/<sub>4</sub> inch (32 mm) minimum and 2 inches (51 mm) maximum.

**609.2.2 Noncircular cross section.** Grab bars with a noncircular cross section shall have a cross section dimension of 2 inches (51 mm) maximum, and a perimeter dimension of 4 inches (100 mm) minimum and 4.8 inches (120 mm) maximum.

**609.3 Spacing.** The space between the wall and the grab bar shall be 1<sup>1</sup>/<sub>2</sub> inches (38 mm). The space between the grab bar and projecting objects below and at the ends of the grab bar shall be 1<sup>1</sup>/<sub>2</sub> inches (38 mm) minimum. The space between the grab bar and projecting objects above the grab bar shall be 12 inches (305 mm) minimum.

#### **Exceptions:**

1. The space between the grab bars and shower controls, shower fittings, and other grab bars above the grab bar shall be permitted to be 1<sup>1</sup>/<sub>2</sub> inches (38 mm) minimum.
2. Recessed dispensers projecting from the wall 1/4 inch (6.4 mm) maximum measured from the face of the dispenser and complying with Section 604.7 shall be permitted within the 12-inch (305 mm) space above and the 1<sup>1</sup>/<sub>2</sub>-inch (38 mm) spaces below and at the ends of the grab bar.

### **Figure 609.3 Spacing of Grab Bars**

#### **609.4 Position of grab bars.**

**609.4.1 General.** Grab bars shall be installed in a horizontal position, 33 inches (840 mm) minimum and 36 inches (915 mm) maximum above the floor measured to the top of the gripping surface or shall be installed as required by Items 1 through 3.

1. The lower grab bar on the back wall of a bathtub shall comply with Section 607.4.1.1 or 607.4.2.1.
2. Vertical grab bars shall comply with Sections 604.5.1.2, 607.4.1.2.2, 607.4.2.2 and 608.3.1.2.
3. Grab bars at water closets primarily for children's use shall comply with Section 609.4.2.

**609.4.2 Position of children's grab bars.** At water closets primarily for children's use complying with Section 604.11, grab bars shall be installed in a horizontal position 18 inches (455 mm) minimum and 27 inches (685 mm) maximum above the floor measured to the top of the gripping surface. A vertical grab bar shall be mounted with the bottom of the bar located between 21 inches (535 mm) minimum and 30 inches (760 mm) maximum above the floor and with the centerline of the bar located between 34 inches (865 mm) minimum and 36 inches (915 mm) maximum from the rear wall.

**Figure 609.4.2(A) Positions of Children's Grab Bars - Side-wall View**

**Figure 609.4.2(B) Positions of Children's Grab Bars - Rear-wall View**

**609.5 Surface hazards.** Grab bars and any wall or other surfaces adjacent to grab bars shall be free of sharp or abrasive elements. Edges shall be rounded.

**609.6 Fittings.** Grab bars shall not rotate within their fittings.



**609.7 Installation and configuration.** Grab bars shall be installed in any manner that provides a gripping surface at the locations specified in this standard and does not obstruct the clear floor space. Horizontal and vertical grab bars shall be permitted to be separate bars, a single piece bar, or combination thereof.

**609.8 Structural strength.** Allowable stresses shall not be exceeded for materials used where a vertical or horizontal force of 250 pounds (1112 N) is applied at any point on the grab bar, fastener mounting device, or supporting structure.

## SECTION 610 SEATS

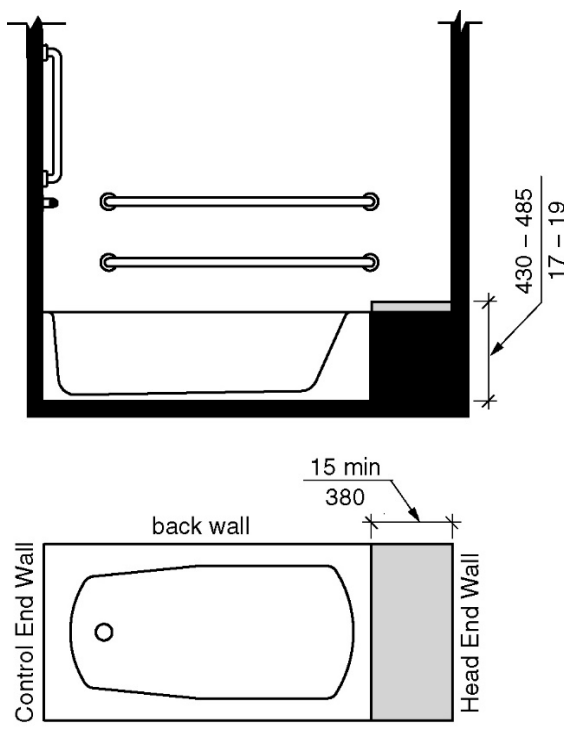
**610.1 General.** Seats in bathtubs and shower compartments shall comply with Section 610.

**610.2 Bathtub seats.** The height of bathtub seats shall be 17 inches (430 mm) minimum and 19 inches (485 mm) maximum above the bathroom floor, measured to the top of the seat.

**610.2.1 Removable in-tub seats.** Removable in-tub seats shall be 15 inches (380 mm) minimum and 16 inches (405 mm) maximum in depth. Removable in-tub seats shall be capable of secure placement.

**FIGURE 610.2(A) 610.2.1  
BATHTUB SEATS  
REMOVABLE IN-TUB SEATS**

**610.2.2 Bathtubs with transfer platforms.** ~~Permanent seats~~ Transfer platforms shall be 15 inches (380 mm) minimum in depth and shall extend from the back wall to or beyond the outer edge of the bathtub. ~~Permanent seats~~ Transfer platforms shall be positioned at the head end of the bathtub.



**FIGURE 610.2(B) 610.2.2**

## **BATHTUB SEATS**

### **SEAT TRANSFER PLATFORM PROVIDED AT HEAD END OF TUB**

*Note: Show removeable seat in figures*

**610.3 Shower compartment seats.** The height of shower compartment seats shall be 17 inches (430 mm) minimum and 19 inches (485 mm) maximum above the bathroom floor, measured to the top of the seat. In transfer-type and alternate roll-in-type showers, the seat shall extend along the seat wall to a point within 3 inches (75 mm) of the compartment entry. In standard roll-in-type showers, the seat shall extend from the control wall to a point within 3 inches (75 mm) of the compartment entry. Seats shall comply with Section 610.3.1 or 610.3.2.

**610.3.1 Rectangular seats.** The rear edge of a rectangular seat shall be 2½ inches (64 mm) maximum and the front edge 15 inches (380 mm) minimum and 16 inches (405 mm) maximum from the seat wall. The side edge of the seat shall be 1½ inches (38 mm) maximum from the back wall of a transfer-type shower and 1½ inches (38 mm) maximum from the control wall of a roll-in-type shower.

**Figure 610.3.1      Rectangular Shower Compartment Seats**

**610.3.2 L-shaped seats.** The rear edge of an L-shaped seat shall be 2½ inches (64 mm) maximum and the front edge 15 inches (380 mm) minimum and 16 inches (405 mm) maximum from the seat wall. The rear edge of the “L” portion of the seat shall be 1½ inches (38 mm) maximum from the wall and the front edge shall be 14 inches (355 mm) minimum and 15 inches (380 mm) maximum from the wall. The end of the “L” shall be 22 inches (560 mm) minimum and 23 inches (585 mm) maximum from the main seat wall.

**Figure 610.3.2      L-shaped Shower Compartment Seats**

**610.4 Structural strength.** Allowable stresses shall not be exceeded for materials used where a vertical or horizontal force of 250 pounds (1112 N) is applied at any point on the seat, fastener mounting device, or supporting structure.

---

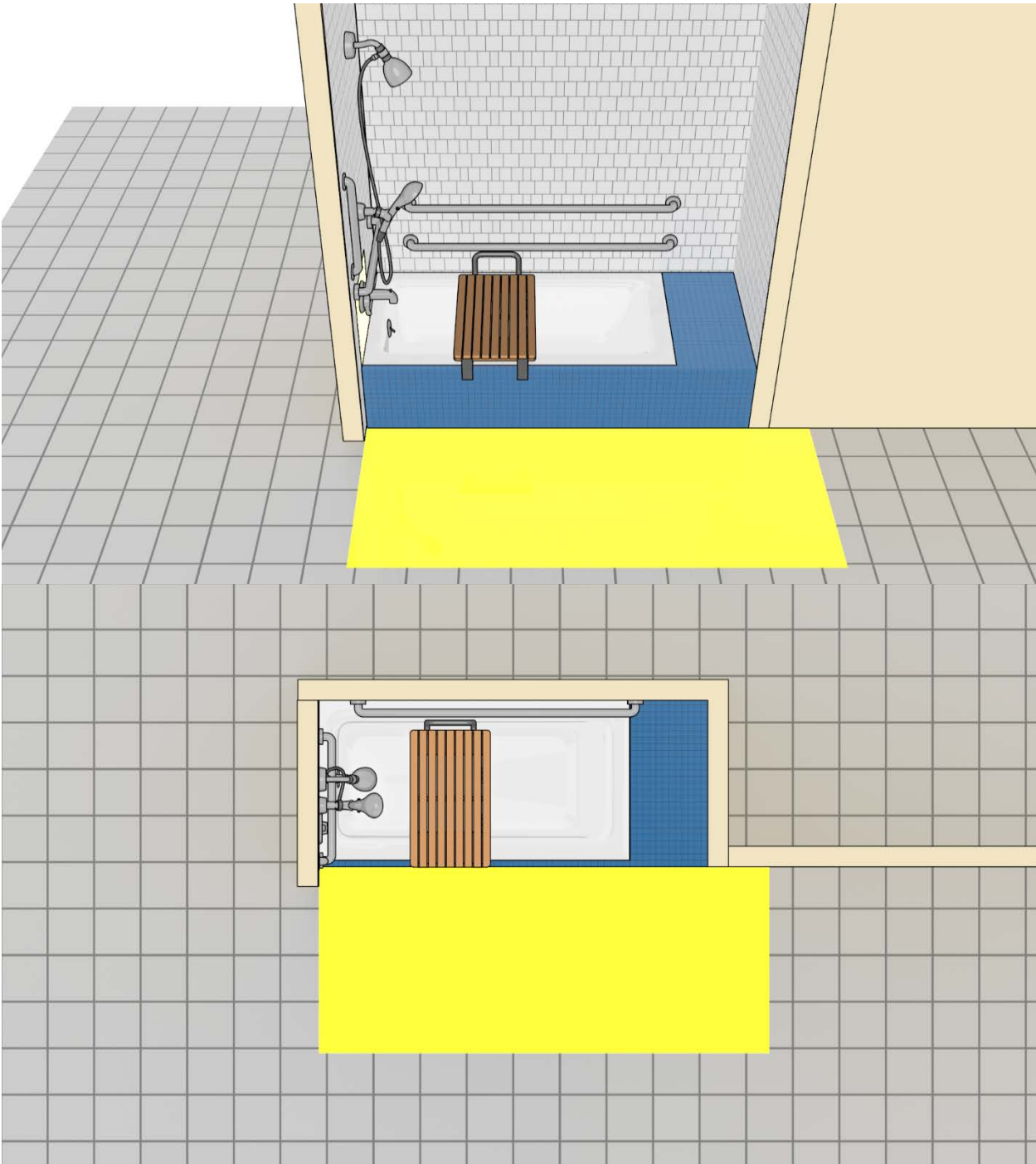
Reason:

Purpose -Want to require moveable seat in bathtub with fixed head end seat option as the fixed head end seat is not good for bathing on the seat. However, the fixed head end seat is the only good way we know of to be able to transfer down into the tub for someone who does not want a seat, so this option should remain.

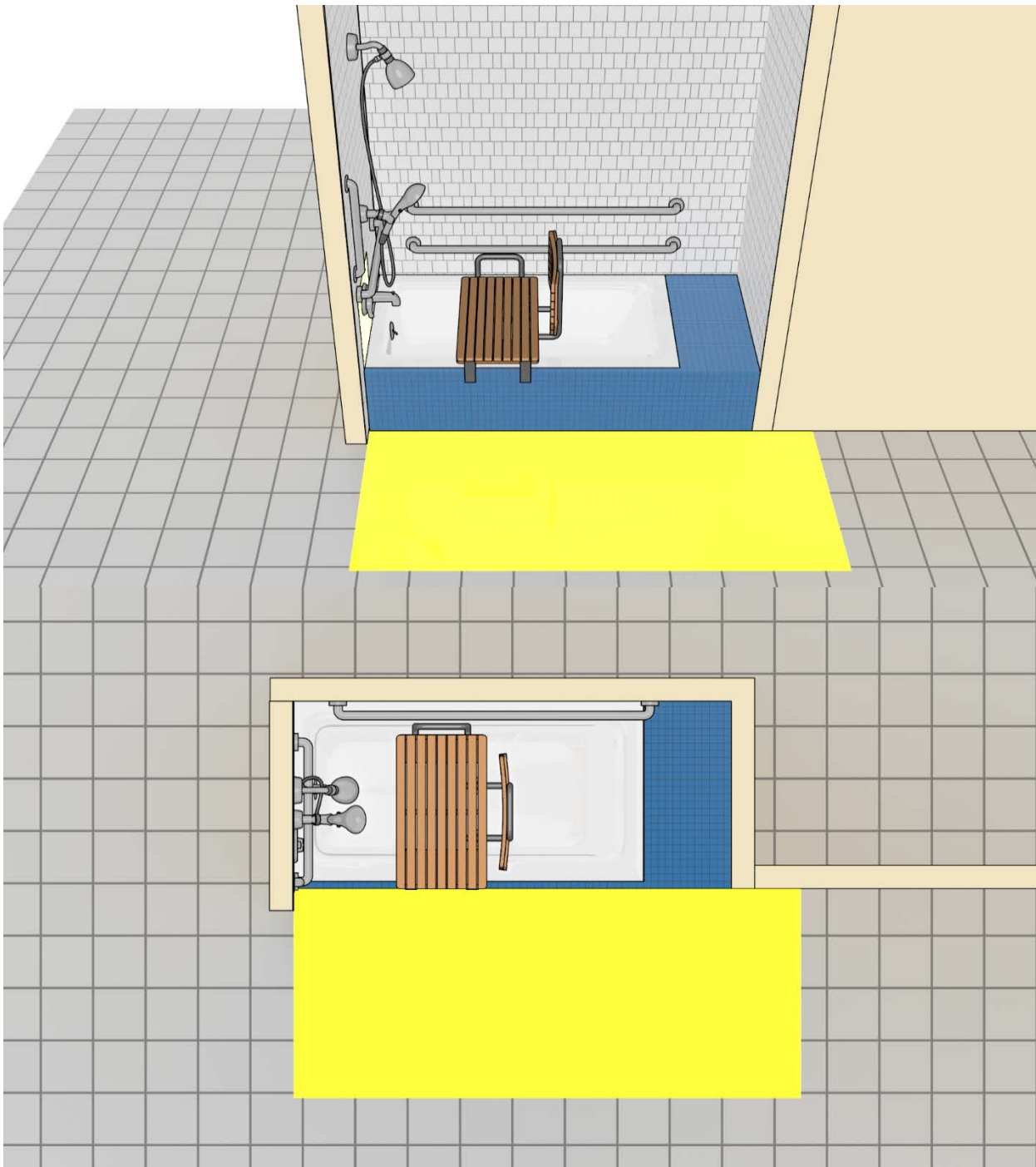
Change name from ‘fixed head end seat’ or ‘permanent seat’ to ‘transfer platform’ so differences are easier to understand.

If the removable seat will have a back or not is dependent on the committee decision for removeable seats.

The clarification of the controls and mount for the hand shower will be addressed in the task group modification to 06-49.



Option without seat back on removeable seat.



Option with seat back on removeable seat.

---

Committee Action: Approval As Modified 22-7-0

**REPORT OF HEARING:**

**Modification (if any):** Proposals 06-41, 06-42, 06-45, 06-50 and 06-81 are all related to bathtubs. Modifications to 06-41, 06-42 and 06-45 will replace the 5 proposal (separated by section) with 3 proposals (separated to one for each type of bathtub seat configuration).

See the replacement proposal above to see the changes in context. The Report of Hearing will only indicate the changes to text and titles of figures. Revisions to the figures is the responsibility of the Editorial committee. It was noted that the task group did not have sufficient time to fully update the graphics submitted.

**607.2 Clearance.** A clearance in front of bathtubs extending the length of the bathtub and 30 inches (760 mm) minimum in depth shall be provided. Where a ~~permanent seat~~ transfer platform is provided at the head end of the bathtub, the clearance shall extend 12 inches (305 mm) minimum beyond the wall at the head end of the bathtub.

**FIGURE 607.2(B) CLEARANCE FOR BATHTUBS WITH TRANSFER PLATFORMS SEAT AT HEAD END OF TUB**

**607.3 Seats.** A ~~permanent seat at the head end of the bathtub or a~~ removable in-tub seat shall be provided. Removable in-tub Seats and transfer platforms shall comply with Section 610.

**607.4 Grab bars.** Grab bars shall comply with Section 609 and shall be provided in accordance with Section 607.4.1 or 607.4.2.

**Exception:** Grab bars shall not be required to be installed in a bathing facility for a single occupant accessed only through a private office and not for common use or public use, provided reinforcement has been installed in walls and located so as to permit the installation of grab bars complying with Section 607.4.

**607.4.1 Bathtubs with ~~permanent seats~~ transfer platforms.** For bathtubs with ~~permanent seats~~ transfer platforms, grab bars complying with Section 607.4.1 shall be provided.

**Figure 607.4.1(A) Grab Bars for Bathtubs with ~~Seat-Transfer Platforms~~ at Head End of Tub – Elevation**

**Figure 607.4.1(B) Grab Bars for Bathtubs with ~~Seat-Transfer Platforms~~ at Head End of Tub – Plan**

*(Note - see task group recommendation for controls and hand showers in 06-49)*

**610.2 Bathtub seats.** The height of bathtub seats shall be 17 inches (430 mm) minimum and 19 inches (485 mm) maximum above the bathroom floor, measured to the top of the seat.

**610.2.1 Removable in-tub seats.** Removable in-tub seats shall be 15 inches (380 mm) minimum and 16 inches (405 mm) maximum in depth. Removable in-tub seats shall be capable of secure placement.

**FIGURE ~~610.2(A)~~ 610.2.1 BATHTUB SEATS REMOVABLE IN-TUB SEATS**

**610.2.2 Bathtubs with transfer platforms.** ~~Permanent seats~~ Transfer platforms shall be 15 inches (380 mm) minimum in depth and shall extend from the back wall to or beyond the outer edge of the bathtub. ~~Permanent seats~~ Transfer platforms shall be positioned at the head end of the bathtub.

**FIGURE ~~610.2(B)~~ 610.2.2 BATHTUB SEATS SEAT TRANSFER PLATFORM PROVIDED AT HEAD END OF TUB**

---

**Committee Reason:** The ‘head end seat’ as currently written does not work well for someone to bath. It appears to be more for someone to transfer to move into the tub from the head end. Therefore, changing the name to a transfer platform is appropriate.

Adding the removable seat within the reach of controls will provide better access for persons using the seat while showering. While a seat with a back (see 06-41) would add additional support, the committee felt that adding the moveable seat improved access with or without a back.

## 06-42 – 2021 Ballot Comments

### BALLOT COMMENT 1- FIRST DRAFT:

Proponent: *Kimberly Paarlberg, ICC*

Desired Action: Affirmative with comment

Modification:

Reason: This is the proposal for bathtubs within tub seats added where there is a transfer platform. See comment to 06-45 for coordination.

### Committee Action for First Ballot:

### REPORT OF HEARING:

### Modification (if any):

### Committee Reason:

#### Report for 06-42– 2021

**Committee decision:** AM

**Committee Vote at Meeting:** 22-7-0

**Committee Vote on Ballot:**39-1-1

#### REPORT OF HEARING:

Modification (if any):

Proposals 06-41, 06-42, 06-45, 06-50 and 06-81 are all related to bathtubs. Modifications to 06-41, 06-42 and 06-45 will replace the 5 proposal (separated by section) with 3 proposals (separated to one for each type of bathtub seat configuration).

See the replacement proposal above to see the changes in context. The Report of Hearing will only indicate the changes to text and titles of figures. Revisions to the figures is the responsibility of the Editorial committee. It was noted that the task group did not have sufficient time to fully update the graphics submitted.

**607.2 Clearance.** A clearance in front of bathtubs extending the length of the bathtub and 30 inches (760 mm) minimum in depth shall be provided. Where a [permanent seat transfer platform](#) is provided at the head end of the bathtub, the clearance shall extend 12 inches (305 mm) minimum beyond the wall at the head end of the bathtub.

#### FIGURE 607.2(B) CLEARANCE FOR BATHTUBS WITH [TRANSFER PLATFORMS SEAT](#) AT HEAD END OF TUB

**607.3 Seats.** A ~~permanent seat at the head end of the bathtub or a~~ removable in-tub seat shall be provided. [Removable in-tub Seats](#) and [transfer platforms](#) shall comply with Section 610.

**607.4 Grab bars.** Grab bars shall comply with Section 609 and shall be provided in accordance with Section 607.4.1 or 607.4.2.

**Exception:** Grab bars shall not be required to be installed in a bathing facility for a single occupant accessed only through a private office and not for common use or public use, provided reinforcement has been installed in walls and located so as to permit the installation of grab bars complying with Section 607.4.

**607.4.1 Bathtubs with [permanent seats transfer platforms](#).** For bathtubs with [permanent seats transfer platforms](#), grab bars complying with Section 607.4.1 shall be provided.

**Figure 607.4.1(A) Grab Bars for Bathtubs with [Seat-Transfer Platforms](#) at Head End of Tub – Elevation**

**Figure 607.4.1(B) Grab Bars for Bathtubs with [Seat-Transfer Platforms](#) at Head End of Tub – Plan**

*(Note - see task group recommendation for controls and hand showers in 06-49)*

**610.2 Bathtub seats.** The height of bathtub seats shall be 17 inches (430 mm) minimum and 19 inches (485 mm) maximum above the bathroom floor, measured to the top of the seat.

**610.2.1 Removable in-tub seats.** Removable in-tub seats shall be 15 inches (380 mm) minimum and 16 inches (405 mm) maximum in depth. Removable in-tub seats shall be capable of secure placement.

#### FIGURE ~~610.2(A)~~ [610.2.1 BATHTUB SEATS REMOVABLE IN-TUB SEATS](#)

**Report for 06-42– 2021**

**610.2.2 Bathtubs with transfer platforms.** ~~Permanent seats~~ **Transfer platforms** shall be 15 inches (380 mm) minimum in depth and shall extend from the back wall to or beyond the outer edge of the bathtub. ~~Permanent seats~~ **Transfer platforms** shall be positioned at the head end of the bathtub.

**FIGURE ~~610.2(B)~~ 610.2.2 BATHTUB SEATS SEAT TRANSFER PLATFORM PROVIDED AT HEAD END OF TUB**

Committee Reason: The 'head end seat' as currently written does not work well for someone to bath. It appears to be more for someone to transfer to move into the tub from the head end. Therefore, changing the name to a transfer platform is appropriate. Adding the removable seat within the reach of controls will provide better access for persons using the seat while showering. While a seat with a back (see 06-41) would add additional support, the committee felt that adding the moveable seat improved access with or without a back.

**BALLOT COMMENT 1- FIRST DRAFT:**

Proponent: *Kimberly Paarlberg, ICC*

Desired Action: Affirmative with comment

Modification:

Reason: This is the proposal for bathtubs within tub seats added where there is a transfer platform. See comment to 06-45 for coordination.

**Committee decision: AS/AM/D**

**Committee Vote at Meeting:**

**Committee Vote on Ballot:**

**REPORT OF HEARING – FIRST DRAFT**

Modification (if any):

Committee Reason:

**BALLOT COMMENT- SECOND DRAFT:**

Proponent:

Desired Action:

Modification:

Reason:

**Committee decision: AS/AM/D**

**Committee Vote at Meeting:**

**Committee Vote on Ballot:**

**FINAL ACTION:**

Modification (if any):

Committee Reason:

## 06-45 – 2021 overview

Proposal number	Proponent	Standard Sections	Committee Actions	Mtg. Date	Notes; Groups; groupings
06-45	Anderson – Accessible bathing	607.4.3 (New), 607.4.3.1 (New), 607.4.3.2 (New), 607.4.3.2.1 (New), 607.4.3.2.2 (New), Figures 607.4.3(A) and (B)(New)	AM 24-3-0	10-20-22	Bathing- 06-41, 42 & 45 replace 06-41, 42, 45, 50, 81

Comment	Proponent	Requested Action	Committee Action	Mtg. Date	Notes; Groups; groupings
BC1	Paarlberg, ICC	Affirmative			Editorial
<b>PC1</b>	Terminology	AM			Editorial

BC= Ballot Comment, PC= Public comment, **Bold Comment number** is proposed revision below

## 06-45 – 2021

**607.4.3(New), 607.4.3.1(New), 607.4.3.2(New), 607.4.3.2.1(New), 607.4.3.2.2(New), Figures 607.4.3(A) and (B)(New)**

**Proponent:** Doug Anderson, representing A117.1 Accessible Bathing Task Group

Add new text as follows:

### SECTION 607 BATHTUBS

**607.4.3 Bathtubs with fixed folding in-tub seats.** For bathtubs with fixed folding in-tub seats, grab bars complying with Section 607.4.3 shall be provided.

**607.4.3.1 Back wall.** Two horizontal grab bars shall be provided on the back wall, one complying with Section 609.4 and the other located 8 inches (205 mm) minimum and 10 inches (255 mm) maximum above the rim of the bathtub. Each grab bar shall be 30 inches (610mm) minimum in length, located 18 inches (610 mm) maximum from the head end wall and extend to 12 inches (305 mm) maximum from the control end wall.

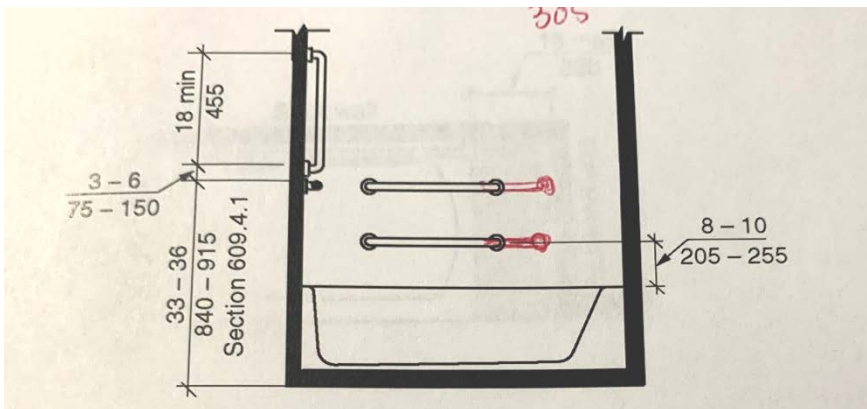
**Control end wall.** Control end wall grab bars shall comply with Section 607.4.3.2.

**Exception:** An L-shaped continuous grab bar of equivalent dimensions and positioning shall be permitted to serve the function of separate vertical and horizontal grab bars.

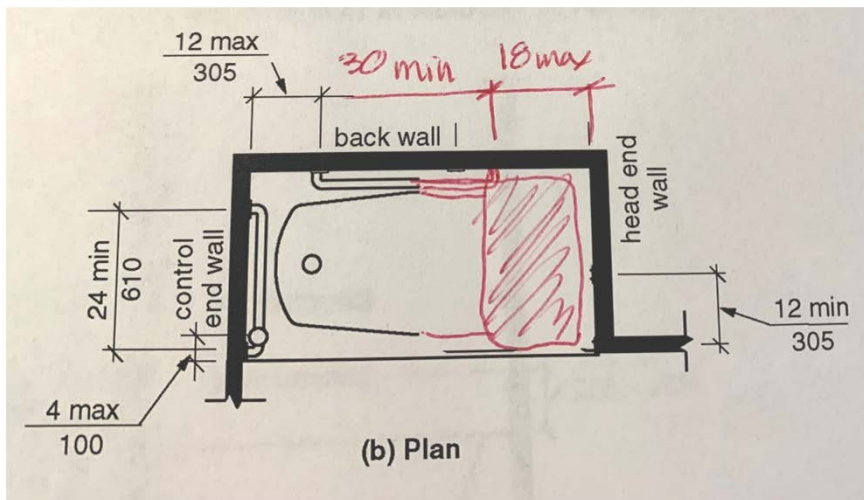
**607.4.3.2.1 Horizontal grab bar.** A horizontal grab bar 24 inches (610 mm) minimum in length shall be provided on the control end wall beginning near the front edge of the bathtub and extending toward the inside corner of the bathtub.



**607.4.3.2.2 Vertical grab bar.** A vertical grab bar 18 inches (455 mm) minimum in length shall be provided on the control end wall 3 inches (75 mm) minimum and 6 inches (150 mm) maximum above the horizontal grab bar, and 4 inches (100 mm) maximum inward from the front edge of the bathtub.



**FIGURE 607.4.3(A)**  
**GRAB BARS FOR BATHTUBS WITH FIXED FOLDING IN-TUB SEATS – ELEVATION**



**FIGURE 607.4.3(B)**  
**GRAB BARS FOR BATHTUBS WITH FIXED FOLDING IN-TUB SEATS –PLAN**

**REASON:** Grab bars need to be closer to the head wall when the in-tub seats is mounted on the headwall. The photos are to illustrate what this proposal is talking about.



**Staff Note:** This proposal is from the A117.1 Accessible Bathing Task Group. Proposals 06-41, 06-42, 06-45, 06-50 and 06-81 are all related to bathtubs with a fixed folding in-tub seat.

---

## **06-45 – 2021 Replacement**

**607.2, Figure 607.2(B), Figure 607.2(C), 607.3, 607.4.1, Figure 607.4.1(A), Figure 607.4.1(B), 607.4.3(New), 607.4.3.1(New), 607.4.3.2.2(New), Figure 607.4.3(A) (New), Figure 607.4.3(B) (New), 607.5, 607.6, 607.6.1(New), 607.6.2(New), Figure 607.6.2(New), 609.4.1, 610.2, 610.2.1(New), 610.2.2(New), Figure 610.2(B), 610.2.3(New), Figure 610.2.3(New)**

**Proponent:** Doug Anderson, representing A117.1 Accessible Bathing Task Group

Note: Proposals 06-41, 06-42, 06-45, 06-50 and 06-81 are all related to bathtubs. Modifications to 06-41, 06-42 and 06-45 will replace the 5 proposal (separated by section) with 3 proposals (separated to one for each type of bathtub seat configuration).

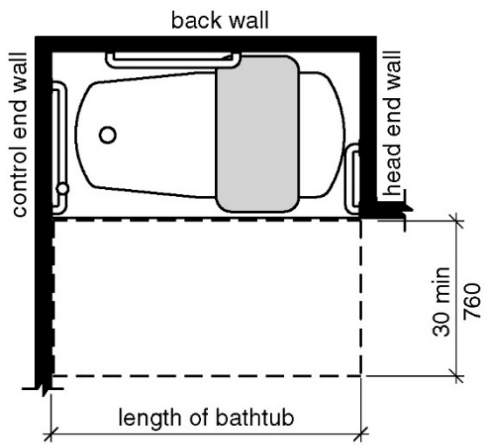
**Replace with the following:**

### **SECTION 607 BATHTUBS**

**607.1 General.** Bathtubs shall comply with Section 607.

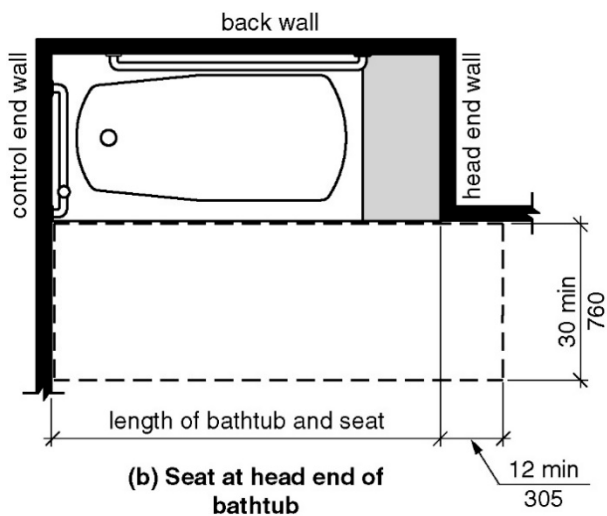
**607.2 Clearance.** A clearance in front of bathtubs extending the length of the bathtub and 30 inches (760 mm) minimum in depth shall be provided. Where a permanent seat transfer platform or folding in-tub seat is provided at the head end of the bathtub, the clearance shall extend 12 inches (305 mm) minimum beyond the wall at the head end of the bathtub.

**Exception:** In an existing bathtub where bathroom is not reconfigured and a folding in-tub seat is installed, the additional the 12 inches (305 mm) transfer clearance beyond the wall at the head end of the bathtub is not required.



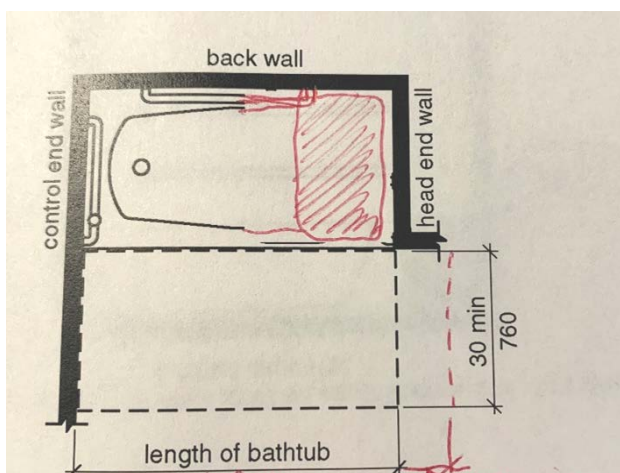
(a) Removable in tub seat

**FIGURE 607.2(A)  
CLEARANCE FOR BATHTUBS WITH REMOVABLE IN TUB SEATS**



(b) Seat at head end of bathtub

**FIGURE 607.2(B)  
CLEARANCE FOR BATHTUBS WITH SEAT TRANSFER PLATFORM AT HEAD END OF TUB**



**FIGURE 607.2(C)  
CLEARANCE FOR BATHTUBS WITH FOLDING IN-TUB SEAT AT HEAD END OF TUB**

**607.3 Seat.** A ~~permanent seat at the head end of the bathtub~~ folding in-tub seat at the head end of the tub or a removable in-tub seat shall be provided. Seats and transfer platforms shall comply with Section 610.

**607.4 Grab bars.** Grab bars shall comply with Section 609 and shall be provided in accordance with Section 607.4.1 or 607.4.2.

**Exception:** Grab bars shall not be required to be installed in a bathing facility for a single occupant accessed only through a private office and not for common use or public use, provided reinforcement has been installed in walls and located so as to permit the installation of grab bars complying with Section 607.4.

**607.4.1 Bathtubs with ~~permanent seats~~ transfer platforms.** For bathtubs with ~~permanent seats~~ transfer platforms, grab bars complying with Section 607.4.1 shall be provided.

**Figure 607.4.1(A) Grab Bars for Bathtubs with ~~Seat-Transfer Platforms~~ at Head End of Tub – Elevation**

**Figure 607.4.1(B) Grab Bars for Bathtubs with ~~Seat-Transfer Platforms~~ at Head End of Tub – Plan**

**607.4.1.1 Back wall.** Two horizontal grab bars shall be provided on the back wall, one complying with Section 609.4 and the other located 8 inches (205 mm) minimum and 10 inches (255 mm) maximum above the rim of the bathtub. Each grab bar shall be located 15 inches (380 mm) maximum from the head end wall and extend to 12 inches (305 mm) maximum from the control end wall.

**607.4.1.2 Control end wall.** Control end wall grab bars shall comply with Section 607.4.1.2.

**Exception:** An L-shaped continuous grab bar of equivalent dimensions and positioning shall be permitted to serve the function of separate vertical and horizontal grab bars.

**607.4.1.2.1 Horizontal grab bar.** A horizontal grab bar 24 inches (610 mm) minimum in length shall be provided on the control end wall beginning near the front edge of the bathtub and extending toward the inside corner of the bathtub.

**607.4.1.2.2 Vertical grab bar.** A vertical grab bar 18 inches (455 mm) minimum in length shall be provided on the control end wall 3 inches (75 mm) minimum and 6 inches (150 mm) maximum above the horizontal grab bar, and 4 inches (100 mm) maximum inward from the front edge of the bathtub.

**607.4.2 Bathtubs with removable in-tub seats.** For bathtubs with removable in-tub seats, grab bars complying with Section 607.4.2 shall be provided.

**Figure 607.4.2(A) Grab Bars for Bathtubs with Removable In-tub Seats – Elevation**

**Figure 607.4.2(B) Grab Bars for Bathtubs with Removable In-tub Seats - Plan**

**607.4.2.1 Back wall.** Two horizontal grab bars shall be provided on the back wall, one complying with Section 609.4 and the other located 8 inches (205 mm) minimum and 10 inches (255 mm) maximum above the rim of the bathtub. Each grab bar shall be 24 inches (610 mm) minimum in length, located 24 inches (610 mm) maximum from the head end wall and extend to 12 inches (305 mm) maximum from the control end wall.

**607.4.2.2 Control end wall.** Control end wall grab bars shall comply with Section 607.4.1.2.

**607.4.2.3 Head end wall.** A horizontal grab bar 12 inches (305 mm) minimum in length shall be provided on the head end wall at the front edge of the bathtub.

**607.4.3 Bathtubs with folding in-tub seats.** For bathtubs with folding in-tub seats at the head end of the tub, grab bars complying with Section 607.4.3 shall be provided.

**607.4.3.1 Back wall.** Two horizontal grab bars shall be provided on the back wall, one complying with Section 609.4 and the other located 8 inches (205 mm) minimum and 10 inches (255 mm) maximum above the rim of the bathtub. Each grab bar shall be 30 inches (610mm) minimum in length, located 18 inches

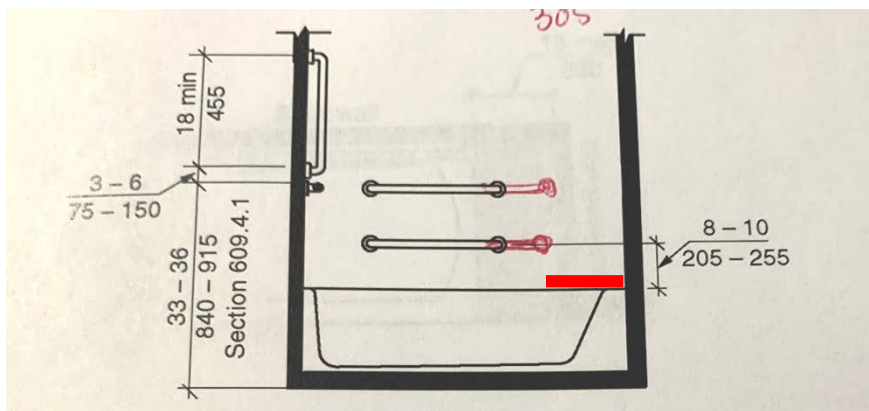
(610 mm) maximum from the head end wall and extend to 12 inches (305 mm) maximum from the control end wall.

**Control end wall.** Control end wall grab bars shall comply with Section 607.4.3.2.

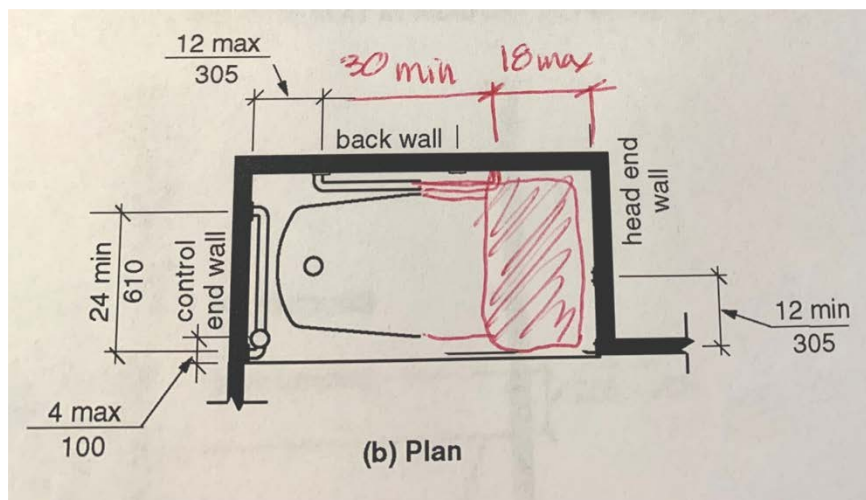
**Exception:** An L-shaped continuous grab bar of equivalent dimensions and positioning shall be permitted to serve the function of separate vertical and horizontal grab bars.

**607.4.3.2.1 Horizontal grab bar.** A horizontal grab bar 24 inches (610 mm) minimum in length shall be provided on the control end wall beginning near the front edge of the bathtub and extending toward the inside corner of the bathtub.

**607.4.3.2.2 Vertical grab bar.** A vertical grab bar 18 inches (455 mm) minimum in length shall be provided on the control end wall 3 inches (75 mm) minimum and 6 inches (150 mm) maximum above the horizontal grab bar, and 4 inches (100 mm) maximum inward from the front edge of the bathtub.



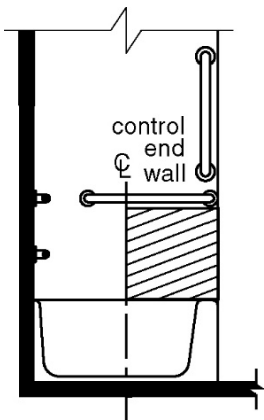
**FIGURE 607.4.3(A)**  
**GRAB BARS FOR BATHTUBS WITH FOLDING IN-TUB SEATS – ELEVATION**



**FIGURE 607.4.3(B)**  
**GRAB BARS FOR BATHTUBS WITH FOLDING IN-TUB SEATS – PLAN**

*(Note: The intent is to be coordinated with the modification for controls for all tubs.)*

**607.5 Controls.** The operable parts of the on/off water floor, temperature and diverter controls ~~Controls, other than drain stoppers,~~ shall be provided on an end wall, located between the bathtub rim and grab bar, and between the open side of the bathtub and the centerline of the width of the bathtub. Such Controls shall comply with Section 309.4.



**FIGURE 607.5**  
**LOCATION OF BATHTUB CONTROLS**

*(Note: The intent is to be coordinated with the modification for hand showers for all tubs.)*

**607.6 Hand shower.** A hand shower with a hose 59 inches (1500 mm) minimum in length, that can be used as both a fixed shower head and as a hand shower, shall be provided. The hand shower shall have ~~a control with~~ a nonpositive shut-off feature. A fixed shower head, in addition to the hand shower shall be permitted.

**Exception:** In other than Accessible units and Type A units, a fixed shower head located 48 inches (1220 mm) maximum above the shower floor shall be permitted in lieu of a hand shower.

A mount to hold the hand shower shall be provided and located in accordance with Section 607.6.1 or 607.6.2 as applicable. Where provided, an adjustable height hand shower mounted on a vertical bar shall be installed so as to not obstruct the use of grab bars.

**Exception:** The mount to hold the hand shower shall be permitted to be located on a vertical bar provided that the mount is adjustable in height and the mount can be located within the area specified for the fixed mount.

**607.6.1 Bathtubs with removable in-tub seats.** For a bathtub with a moveable in-tub seat, the mount to hold the hand shower shall be located in accordance with to the following:

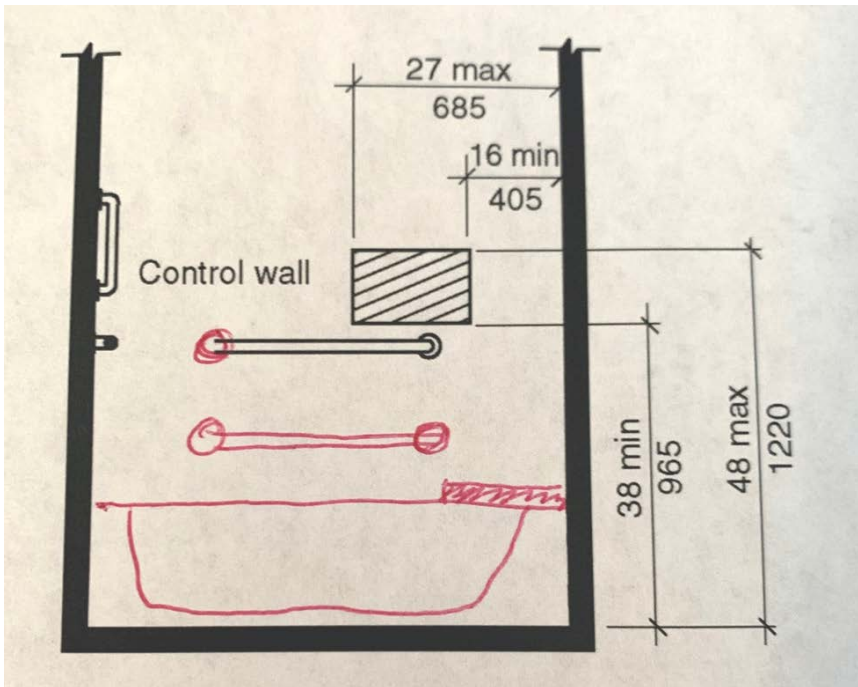
1. At a height of 38 inches (965 mm) minimum and 48 inches (1220 mm) maximum above the shower floor.
2. Located on the control wall opposite the seat and located within 15 inches (380 mm) maximum from the centerline of the seat.

**Exception:** The mount to hold the hand shower shall be permitted to be located on a vertical bar provided that the mount is adjustable in height and can be located within the area specified for the fixed mount.

**607.6.2 Bathtubs with folding seats.** For a bathtub with a folding seat, the mount to hold the hand shower shall be located in accordance with to the following:

1. At a height of 38 inches (965 mm) minimum and 48 inches (1220 mm) maximum above the shower floor.
2. Located on the back wall 16 inches (405 mm) minimum and 27 inches (685 mm) maximum from the wall behind the seat.

**Exception:** The mount to hold the hand shower shall be permitted to be located on a vertical bar provided that the mount is adjustable in height and can be located within the area specified for the fixed mount.



**FIGURE 607.6.2**  
**LOCATION OF MOUNT FOR BATHTUB WITH FOLDING SEAT**

**607.7 Bathtub enclosures.** Enclosures for bathtubs shall not obstruct controls, faucets, shower and spray units or obstruct transfer from wheelchairs onto bathtub seats or into bathtubs. Enclosures on bathtubs shall not have tracks installed on the rim of the bathtub.

**607.8 Water temperature.** Bathtubs shall deliver water that is 120°F (49°C) maximum.

## SECTION 609

### GRAB BARS

**609.1 General.** Grab bars in toilet or bathing facilities shall comply with Section 609.

**609.2 Cross section.** Grab bars shall have a cross section complying with Section 609.2.1 or 609.2.2.

Figure 609.2 Size of Grab Bars

**609.2.1 Circular cross section.** Grab bars with a circular cross section shall have an outside diameter of 1<sup>1</sup>/<sub>4</sub> inch (32 mm) minimum and 2 inches (51 mm) maximum.

**609.2.2 Noncircular cross section.** Grab bars with a noncircular cross section shall have a cross section dimension of 2 inches (51 mm) maximum, and a perimeter dimension of 4 inches (100 mm) minimum and 4.8 inches (120 mm) maximum.

**609.3 Spacing.** The space between the wall and the grab bar shall be 1<sup>1</sup>/<sub>2</sub> inches (38 mm). The space between the grab bar and projecting objects below and at the ends of the grab bar shall be 1<sup>1</sup>/<sub>2</sub> inches (38 mm) minimum. The space between the grab bar and projecting objects above the grab bar shall be 12 inches (305 mm) minimum.

**Exceptions:**

1. The space between the grab bars and shower controls, shower fittings, and other grab bars above the grab bar shall be permitted to be 1½ inches (38 mm) minimum.
2. Recessed dispensers projecting from the wall ¼ inch (6.4 mm) maximum measured from the face of the dispenser and complying with Section 604.7 shall be permitted within the 12-inch (305 mm) space above and the 1½-inch (38 mm) spaces below and at the ends of the grab bar.

Figure 609.3 Spacing of Grab Bars

#### 609.4 Position of grab bars.

**609.4.1 General.** Grab bars shall be installed in a horizontal position, 33 inches (840 mm) minimum and 36 inches (915 mm) maximum above the floor measured to the top of the gripping surface or shall be installed as required by Items 1 through 3.

1. The lower grab bar on the back wall of a bathtub shall comply with Section 607.4.1.1, ~~or~~ 607.4.2.1 or 607.4.3.1.
2. Vertical grab bars shall comply with Sections 604.5.1.2, 607.4.1.2.2, 607.4.2.2, 607.4.3.2.2 and 608.3.1.2.
3. Grab bars at water closets primarily for children's use shall comply with Section 609.4.2.

**609.4.2 Position of children's grab bars.** At water closets primarily for children's use complying with Section 604.11, grab bars shall be installed in a horizontal position 18 inches (455 mm) minimum and 27 inches (685 mm) maximum above the floor measured to the top of the gripping surface. A vertical grab bar shall be mounted with the bottom of the bar located between 21 inches (535 mm) minimum and 30 inches (760 mm) maximum above the floor and with the centerline of the bar located between 34 inches (865 mm) minimum and 36 inches (915 mm) maximum from the rear wall.

Figure 609.4.2(A) Positions of Children's Grab Bars - Side-wall View

Figure 609.4.2(B) Positions of Children's Grab Bars - Rear-wall View

**609.5 Surface hazards.** Grab bars and any wall or other surfaces adjacent to grab bars shall be free of sharp or abrasive elements. Edges shall be rounded.

**609.6 Fittings.** Grab bars shall not rotate within their fittings.

**609.7 Installation and configuration.** Grab bars shall be installed in any manner that provides a gripping surface at the locations specified in this standard and does not obstruct the clear floor space. Horizontal and vertical grab bars shall be permitted to be separate bars, a single piece bar, or combination thereof.

**609.8 Structural strength.** Allowable stresses shall not be exceeded for materials used where a vertical or horizontal force of 250 pounds (1112 N) is applied at any point on the grab bar, fastener mounting device, or supporting structure.

## SECTION 610 SEATS

**610.1 General.** Seats in bathtubs and shower compartments shall comply with Section 610.

**610.2 Bathtub seats.** The height of bathtub seats shall be 17 inches (430 mm) minimum and 19 inches (485 mm) maximum above the bathroom floor, measured to the top of the seat. Bathtub seats shall be rectangular in shape.

**610.2.1 Removable in-tub seats.** Removable in-tub seats shall be 15 inches (380 mm) minimum and 16 inches (405 mm) maximum in depth. Removable in-tub seats shall be capable of secure placement.

### **FIGURE 610.2(A)-610.2.1 BATHTUB SEATS**

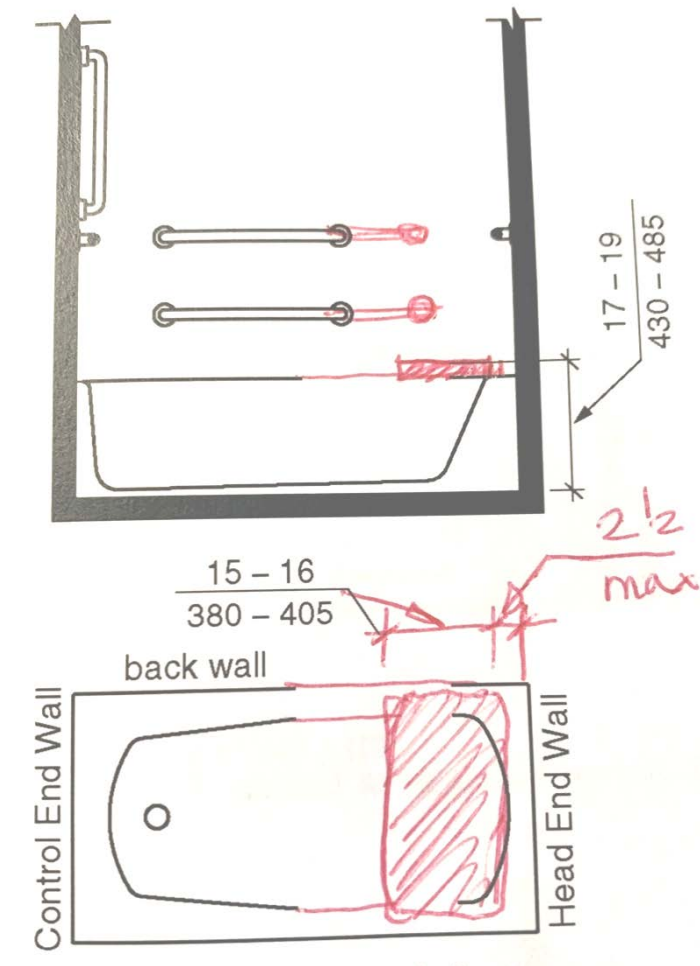


## REMOVABLE IN-TUB SEATS

**610.2.2 Bathtubs with transfer platforms.** ~~Permanent seats~~ Transfer platforms shall be 15 inches (380 mm) minimum in depth and shall extend from the back wall to or beyond the outer edge of the bathtub. ~~Permanent seats~~ Transfer platforms shall be positioned at the head end of the bathtub.

**FIGURE 610.2(B) 610.2.2**  
**BATHTUB SEATS**  
**SEAT TRANSFER PLATFORM PROVIDED AT HEAD END OF TUB**

**610.2.3 Folding in-tub seats.** Folding in-tub seats shall be mounted on the head wall. The rear edge of a seat shall be 2-1/2 inches (64 mm) maximum and the seat shall be 15 inches (380 mm) minimum and 16 inches (405 mm) maximum in depth. The side edge of the seat shall be 1-1/2 inches (38 mm) maximum from the back wall.



**FIGURE 610.2.3**  
**BATHTUB SEATS**  
**FOLDING IN-TUB SEAT PROVIDED AT HEAD END OF TUB**

**610.3 Shower compartment seats.** The height of shower compartment seats shall be 17 inches (430 mm) minimum and 19 inches (485 mm) maximum above the bathroom floor, measured to the top of the seat. In transfer-type and alternate roll-in-type showers, the seat shall extend along the seat wall to a point within 3 inches (75 mm) of the compartment entry. In standard roll-in-type showers, the seat shall extend from the control wall to a point within 3 inches (75 mm) of the compartment entry. Seats shall comply with Section 610.3.1 or 610.3.2.

**610.3.1 Rectangular seats.** The rear edge of a rectangular seat shall be 2½ inches (64 mm) maximum and the front edge 15 inches (380 mm) minimum and 16 inches (405 mm) maximum from the seat wall. The side edge of the seat shall be 1½ inches (38 mm) maximum from the back wall of a transfer-type shower and 1½ inches (38 mm) maximum from the control wall of a roll-in-type shower.

Figure 610.3.1 Rectangular Shower Compartment Seats

**610.3.2 L-shaped seats.** The rear edge of an L-shaped seat shall be 2½ inches (64 mm) maximum and the front edge 15 inches (380 mm) minimum and 16 inches (405 mm) maximum from the seat wall. The rear edge of the “L” portion of the seat shall be 1½ inches (38 mm) maximum from the wall and the front edge shall be 14 inches (355 mm) minimum and 15 inches (380 mm) maximum from the wall. The end of the “L” shall be 22 inches (560 mm) minimum and 23 inches (585 mm) maximum from the main seat wall.

Figure 610.3.2 L-shaped Shower Compartment Seats

**610.4 Structural strength.** Allowable stresses shall not be exceeded for materials used where a vertical or horizontal force of 250 pounds (1112 N) is applied at any point on the seat, fastener mounting device, or supporting structure.

---

**Reason:**

**Purpose:** Allow for foldable seat that is attached at the head end of tub. By being mounted this reduces the chance of the seat slipping and makes sure that the seat does not disappear from the room. This also allow for the person to put down the seat themselves rather than needed staff to come and install the portable seat. This should improve safety when using the seat. This also provides a back rest for a person using the tub. Some of the task group felt that providing for a back rest and having the seat overlap the tub so that it could be used for showering was an improvement for accessibility, even without being able to adjust the water while showering.

Steps. –

For consistency with terminology for showers, separate fixed seats/transfer platforms and folding seats.

Clearance to have similar transfer requirements as transfer shower for lining up back of seat with back of chair.

Exception - For existing bathrooms allow for this installation without increasing size of room.

Set grab bar criteria – same as other current options at front. Extend back wall grab bars to be within reach of seat.

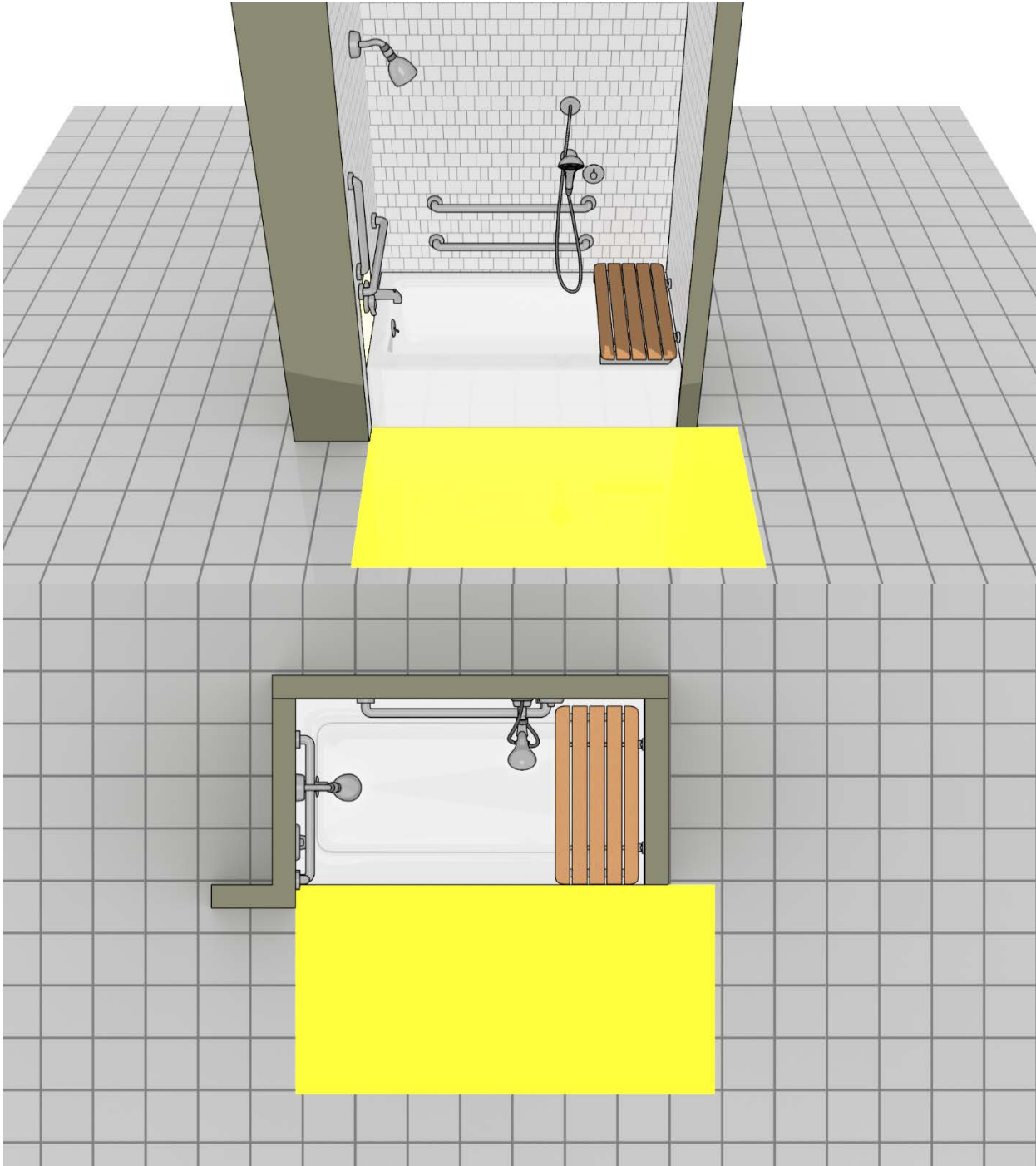
Set up criteria for turning on water and temperature from outside tub.

Set up area to reach shower hand held shower mount. Locate in front folding seat since you cannot reach the control wall.

Set criteria for seat similar to shower requirements.

There were many discussions during the task group calls about this option not allowing for control of the water temperature. This would allow for the ability to turn the shower head on and off from the seat. Water use restrictions do not allow for two separate sets of controls. Since this is a bathtub, if you move the

controls to the back wall you then have to consider the spout being in front of the seat and that reaching over the tub would be a safety issue for persons trying to turn on the water from outside the tub.



---

Committee Action: Approval As Modified 24-3-0

**REPORT OF HEARING:**

**Modification (if any):** Proposals 06-41, 06-42, 06-45, 06-50 and 06-81 are all related to bathtubs. Modifications to 06-41, 06-42 and 06-45 will replace the 5 proposal (separated by section) with 3 proposals (separated to one for each type of bathtub seat configuration).

See the replacement proposal above to see the changes in context. The Report of Hearing will only indicate the changes to text and titles of figures. Revisions to the figures is the responsibility of the Editorial committee. It was noted that the task group did not have sufficient time to fully update the graphics submitted.

This additional modification was proposed to the exception in Section 607.2. This was made part of the replacement proposal.

**607.2 Clearance.** A clearance in front of bathtubs extending the length of the bathtub and 30 inches (760 mm) minimum in depth shall be provided. Where a transfer platform or folding in-tub seat is provided at the head end of the bathtub, the clearance shall extend 12 inches (305 mm) minimum beyond the wall at the head end of the bathtub.

**Exception:** In an existing bathtub where bathroom is not reconfigured and a folding in-tub seat is installed, the additional ~~the~~ 12 inches (305 mm) transfer clearance beyond the wall at the head end of the bathtub is not required if it would result in a reconfiguration of the space.

The full modification is as follows:

**607.2 Clearance.** A clearance in front of bathtubs extending the length of the bathtub and 30 inches (760 mm) minimum in depth shall be provided. Where a permanent seat transfer platform or folding in-tub seat is provided at the head end of the bathtub, the clearance shall extend 12 inches (305 mm) minimum beyond the wall at the head end of the bathtub.

**Exception:** In an existing bathtub where bathroom is not reconfigured and a folding in-tub seat is installed, the additional 12 inches (305 mm) transfer clearance beyond the wall at the head end of the bathtub is not required if it would result in a reconfiguration of the space.

**FIGURE 607.2(B) CLEARANCE FOR BATHTUBS WITH SEAT TRANSFER PLATFORM AT HEAD END OF TUB**

**FIGURE 607.2(C)  
CLEARANCE FOR BATHTUBS WITH FOLDING IN-TUB SEAT AT HEAD END OF TUB**

**607.3 Seat.** A ~~permanent seat at the head end of the bathtub~~ folding in-tub seat at the head end of the tub or a removable in-tub seat shall be provided. Seats and transfer platforms shall comply with Section 610.

**607.4 Grab bars.** Grab bars shall comply with Section 609 and shall be provided in accordance with Section 607.4.1 or 607.4.2.

**Exception:** Grab bars shall not be required to be installed in a bathing facility for a single occupant accessed only through a private office and not for common use or public use, provided reinforcement has been installed in walls and located so as to permit the installation of grab bars complying with Section 607.4.

**607.4.1 Bathtubs with permanent seats transfer platforms.** For bathtubs with permanent seats transfer platforms, grab bars complying with Section 607.4.1 shall be provided.

**Figure 607.4.1(A) Grab Bars for Bathtubs with Seat-Transfer Platforms at Head End of Tub – Elevation**

**Figure 607.4.1(B) Grab Bars for Bathtubs with Seat-Transfer Platforms at Head End of Tub – Plan**

**607.4.2 Bathtubs with removable in-tub seats.** For bathtubs with removable in-tub seats, grab bars complying with Section 607.4.2 shall be provided.

**Figure 607.4.2(A) Grab Bars for Bathtubs with Removable In-tub Seats – Elevation**

**Figure 607.4.2(B) Grab Bars for Bathtubs with Removable In-tub Seats - Plan**

**607.4.3 Bathtubs with folding in-tub seats.** For bathtubs with folding in-tub seats at the head end of the tub, grab bars complying with Section 607.4.3 shall be provided.

**607.4.3.1 Back wall.** Two horizontal grab bars shall be provided on the back wall, one complying with Section 609.4 and the other located 8 inches (205 mm) minimum and 10 inches (255 mm) maximum above the rim of the bathtub. Each grab bar shall be 30 inches (610mm) minimum in length, located 18 inches (610 mm) maximum from the head end wall and extend to 12 inches (305 mm) maximum from the control end wall.

**Control end wall.** Control end wall grab bars shall comply with Section 607.4.3.2.

**Exception:** An L-shaped continuous grab bar of equivalent dimensions and positioning shall be permitted to serve the function of separate vertical and horizontal grab bars.

**607.4.3.2.1 Horizontal grab bar.** A horizontal grab bar 24 inches (610 mm) minimum in length shall be provided on the control end wall beginning near the front edge of the bathtub and extending toward the inside corner of the bathtub.

**607.4.3.2.2 Vertical grab bar.** A vertical grab bar 18 inches (455 mm) minimum in length shall be provided on the control end wall 3 inches (75 mm) minimum and 6 inches (150 mm) maximum above the horizontal grab bar, and 4 inches (100 mm) maximum inward from the front edge of the bathtub.

**FIGURE 607.4.3(A) GRAB BARS FOR BATHTUBS WITH FOLDING IN-TUB SEATS – ELEVATION**

**FIGURE 607.4.3(B) GRAB BARS FOR BATHTUBS WITH FOLDING IN-TUB SEATS –PLAN**

*(Note: The intent is to be coordinated with the modification for controls for all tubs.)*

**607.5 Controls.** ~~The operable parts of the on/off water floor, temperature and diverter controls~~ Controls, other than drain stoppers, shall be provided on an end wall, located between the bathtub rim and grab bar, and between the open side of the bathtub and the centerline of the width of the bathtub. Such Controls shall comply with Section 309.4.

*(Note: The intent is to be coordinated with the modification for hand showers for all tubs.)*

**607.6 Hand shower.** A hand shower with a hose 59 inches (1500 mm) minimum in length, ~~that can be used as both a fixed shower head and as a hand shower,~~ shall be provided. The hand shower shall have ~~a control with~~ a nonpositive shut-off feature. A fixed shower head, in addition to the hand shower shall be permitted.

**Exception:** In other than Accessible units and Type A units, a fixed shower head located 48 inches (1220 mm) maximum above the shower floor shall be permitted in lieu of a hand shower.

A mount to hold the hand shower shall be provided and located in accordance with Section 607.6.1 or 607.6.2 as applicable. Where provided, an adjustable height hand shower mounted on a vertical bar shall be installed so as to not obstruct the use of grab bars.

**Exception:** The mount to hold the hand shower shall be permitted to be located on a vertical bar provided that the mount is adjustable in height and the mount can be located within the area specified for the fixed mount.

**607.6.1 Bathtubs with removable in-tub seats.** For a bathtub with a moveable in-tub seat, the mount to hold the hand shower shall be located in accordance with to the following:

1. At a height of 38 inches (965 mm) minimum and 48 inches (1220 mm) maximum above the tub floor.
2. Located on the control wall opposite the seat and located within 15 inches (380 mm) maximum from the centerline of the seat.

**Exception:** The mount to hold the hand shower shall be permitted to be located on a vertical bar provided that the mount is adjustable in height and can be located within the area specified for the fixed mount.

**607.6.2 Bathtubs with folding seats.** For a bathtub with a folding seat, the mount to hold the hand shower shall be located in accordance with to the following:

1. At a height of 38 inches (965 mm) minimum and 48 inches (1220 mm) maximum above the tub floor.
2. Located on the back wall 16 inches (405 mm) minimum and 27 inches (685 mm) maximum from the wall behind the seat.

**Exception:** The mount to hold the hand shower shall be permitted to be located on a vertical bar provided that the mount is adjustable in height and can be located within the area specified for the fixed mount.

#### **FIGURE 607.6.2 LOCATION OF MOUNT FOR BATHTUB WITH FOLDING SEAT**

**609.4.1 General.** Grab bars shall be installed in a horizontal position, 33 inches (840 mm) minimum and 36 inches (915 mm) maximum above the floor measured to the top of the gripping surface or shall be installed as required by Items 1 through 3.

1. The lower grab bar on the back wall of a bathtub shall comply with Section 607.4.1.1, ~~or~~ 607.4.2.1 or 607.4.3.1.
2. Vertical grab bars shall comply with Sections 604.5.1.2, 607.4.1.2.2, 607.4.2.2, 607.4.3.2.2 and 608.3.1.2.
3. Grab bars at water closets primarily for children's use shall comply with Section 609.4.2.

**610.2 Bathtub seats.** The height of bathtub seats shall be 17 inches (430 mm) minimum and 19 inches (485 mm) maximum above the bathroom floor, measured to the top of the seat. Bathtub seats shall be rectangular in shape.

**610.2.1 Removable in-tub seats.** Removable in-tub seats shall be 15 inches (380 mm) minimum and 16 inches (405 mm) maximum in depth. Removable in-tub seats shall be capable of secure placement.

#### **FIGURE ~~610.2(A)~~ 610.2.1 BATHTUB SEATS REMOVABLE IN-TUB SEATS**

**610.2.2 Bathtubs with transfer platforms.** ~~Permanent seats~~ Transfer platforms shall be 15 inches (380 mm) minimum in depth and shall extend from the back wall to or beyond the outer edge of the bathtub. ~~Permanent seats~~ Transfer platforms shall be positioned at the head end of the bathtub.

**FIGURE ~~610.2(B)~~ 610.2.2 BATHTUB SEATS SEAT TRANSFER PLATFORM PROVIDED AT HEAD END OF TUB**

610.2.3 Folding in-tub seats. Folding in-tub seats shall be mounted on the head wall. The rear edge of a seat shall be 2-1/2 inches (64 mm) maximum and the seat shall be 15 inches (380 mm) minimum and 16 inches (405 mm) maximum in depth. The side edge of the seat shall be 1-1/2 inches (38 mm) maximum from the back wall.

**FIGURE 610.2.3 BATHTUB SEATS FOLDING IN-TUB SEAT PROVIDED AT HEAD END OF TUB**

**Committee Reason:** The option for a folding seat at the head end of a tub provides some definite advantages over the removeable seat. By being mounted this reduces the chance of the seat slipping and makes sure that the seat does not disappear from the room. This also allow for the person to put down the seat themselves rather than needed staff to come and install the portable seat. This also provides a back rest for a person using the tub. Some of the task group felt that providing for a back rest and having the seat overlap the tub so that it could be used for showering was an improvement for accessibility, even without being able to adjust the water while showering. The proposal does put the hand shower mount within reach of the seat. Since there was some concern about the limited leg space with the removeable seat close to the control wall, this option also provides space for someone that needed more leg room. There was discussion about the scoping for the three options for bathtubs. The task group stated that the intent was for no change to the scoping and to allow for any of the three options.

607.4.3-ANDERSON.doc

**06-45 – 2021 Ballot Comments**

<b>BALLOT COMMENT 1- FIRST DRAFT:</b>
Proponent: <i>Kimberly Paarlberg, ICC</i>
Desired Action: Affirmative with comment
Modification: See Ballot Comment 1

**06-45 – 2021 Ballot Comment 1**

607.3, 607.6, 607.6.1

**Proponent: Kimberly Paarlberg, ICC**

**Revise as follows:**

**Further modify as shown in red**

**06-42-21 AM; 06-45-21 AM correlation**

**607.3 Seats.** A permanent seat at the head end of the bathtub or a folding in-tub seat at the head end of the tub or a removable in-tub seat shall be provided. Removable in-tub seats, folding in-tub seats and transfer platforms Seats shall comply with Section 610.

**06-45-21 AM; 06-47-21 AM correlation; 06-53-21 AM; 06-54-21 AM**

**607.6 Hand shower.** A hand shower with a hose 59 inches (1500 mm) minimum in length, that can be used as both a fixed shower head and as a hand shower, shall be provided. The hand shower shall have a control with a nonpositive shut-off feature. A fixed shower head, in addition to the hand shower shall be permitted.

**Exceptions Exception:**

1. In other than Accessible units and Type A units, a fixed shower head located 48 inches (1220 mm) maximum above the shower floor shall be permitted in lieu of a hand shower.
2. In Accessible units, a fixed shower head located at not greater than 48 inches (1220 mm) above the tub floor shall be permitted in lieu of a hand shower where the toilet or bathing room is specially designed without protrusions for purposes of suicide prevention.

A mount to hold the hand shower shall be provided and located on the control wall at a height of 38 inches (965 mm) minimum and 48 inches (1220 mm) maximum above the tub floor, in accordance with Section 607.6.1 or 607.6.2 as applicable. Where provided, an adjustable height hand shower mounted on a vertical bar shall be installed so as to not obstruct the use of grab bars.

~~Exception: The mount to hold the hand shower shall be permitted to be located on a vertical bar provided that the mount is adjustable in height and the mount can be located within the area specified for the fixed mount.~~

**06-45-21 AM; 06-47-21 AM correlation**

**607.6.1 Bathtubs with removable in-tub seats.** For a bathtub with a moveable in-tub seat, the mount to hold the hand shower shall be located in accordance with to the following:

1. At a height of 38 inches (965 mm) minimum and 48 inches (1220 mm) maximum above the bathtub floor.
2. Located on the control wall opposite the seat and located within 15 inches (380 mm) maximum from the centerline of the seat.

~~Exception: The mount to hold the hand shower shall be permitted to be located on a vertical bar provided that the mount is adjustable in height and can be located within the area specified for the fixed mount.~~

**06-47-21 AM correlation**

**Figure 607.6-607.6.1**

**LOCATION OF BATHTUB HAND SHOWER MOUNT LOCATION**

**REASON:** This is the proposal for folding seats at the head of the tub.

I agree with the new proposal for the folding seat at the head end of the tub. It provides better bathing options than the transfer platform, provides back support for users, and will provide a stable seat by being attached. However, the following coordination is needed for the control section for coordination with 06-47 for a split between controls and the shower mounts.

Clean version with new change only.

**607.3 Seats.** A folding in-tub seat at the head end of the tub or a removable in-tub seat shall be provided. Removable in-tub seats, folding in-tub seats and transfer platforms shall comply with Section 610.

**607.6 Hand shower.** A hand shower with a hose 59 inches (1500 mm) minimum in length, that can be used as both a fixed shower head and as a hand shower, shall be provided. The hand shower shall have a nonpositive shut-



off feature that complies with Section 309.4. A fixed shower head, in addition to the hand shower shall be permitted.

**Exceptions:**

1. In other than Accessible units and Type A units, a fixed shower head located 48 inches (1220 mm) maximum above the shower floor shall be permitted in lieu of a hand shower.
2. In Accessible units, a fixed shower head located at not greater than 48 inches (1220 mm) above the tub floor shall be permitted in lieu of a hand shower where the toilet or bathing room is specially designed without protrusions for purposes of suicide prevention.

A mount to hold the hand shower shall be provided and located ~~on the control wall at a height of 38 inches (965 mm) minimum and 48 inches (1220 mm) maximum above the tub floor.~~ in accordance with Section 607.6.1 or 607.6.2 as applicable.

~~**Exception:** The mount to hold the hand shower shall be permitted to be located on a vertical bar provided that the mount is adjustable in height and the mount can be located within the area specified for the fixed mount.~~

**607.6.1 Bathtubs with removable in-tub seats.** For a bathtub with a moveable in-tub seat, the mount to hold the hand shower shall be located in accordance with to the following:

**2. At a height of 38 inches (965 mm) minimum and 48 inches (1220 mm) maximum above the bathtub floor.**

**2. Located on the control wall opposite the seat and located within 15 inches (380 mm) maximum from the centerline of the seat.**

~~**Exception:** The mount to hold the hand shower shall be permitted to be located on a vertical bar provided that the mount is adjustable in height and can be located within the area specified for the fixed mount.~~

**Figure 607.6-607.6.1**

**LOCATION OF BATHTUB HAND SHOWER MOUNT LOCATION**

---

**Committee Action for Ballot Comment 1:**

**REPORT OF HEARING:**

**Modification (if any):**

**Committee Reason:**

**06-45 Paarlberg.doc**

---

**06-45 – 2021 Public Comment 1**  
**607.2**

**Proponent:** Marsha Mazz, representing the Terminology Task Group

**Further revise as follows:**

**SECTION 607**  
**BATHTUBS**

**607.1 General.** Bathtubs shall comply with Section 607.

**607.2 Maneuvering Clearance.** A maneuvering clearance in front of at bathtubs extending the length of the bathtub and 30 inches (760 mm) minimum in depth shall be provided. Where a transfer platform or folding in-tub seat is provided at the head end of the bathtub, the maneuvering clearance at the bathtub shall extend 12 inches (305 mm) minimum beyond the wall at the head end of the bathtub.

**Exception:** In an existing bathtub where bathroom is not reconfigured and a folding in-tub seat is installed, the additional 12 inches (305 mm) ~~transfer maneuvering clearance at the bathtub~~ beyond the wall at the head end of the bathtub is not required if it would result in a reconfiguration of the space.

**FIGURE 607.2(C)**

**MANEUVERING CLEARANCE FOR AT BATHTUBS WITH FOLDING IN-TUB SEAT AT HEAD END OF TUB**

---

**REASON:** This is part of a proposal from the Terminology task group to define the building blocks so that a reference is not required. This public comment is included here because it was part of new text. Please see the complete proposal for additional information.

---

**Committee Action for Public Comment 1:**

**REPORT OF HEARING:**

**Modification (if any):**

**Committee Reason:**

**06-45 Terminology.doc**

---

**Committee Action for First Ballot:**

**REPORT OF HEARING:**

**Modification (if any):**

**Committee Reason:**

<b>Report for 06-45– 2021</b>		
<b>Committee decision: AM</b>	<b>Committee Vote at Meeting: 24-3-0</b>	<b>Committee Vote on Ballot: 39-1-1</b>
<b>REPORT OF HEARING:</b> Modification (if any): Proposals 06-41, 06-42, 06-45, 06-50 and 06-81 are all related to bathtubs. Modifications to 06-41, 06-42 and 06-45 will replace the 5 proposal (separated by section) with 3 proposals (separated to one for each type of bathtub seat configuration).  See the replacement proposal above to see the changes in context. The Report of Hearing will only indicate the changes to text and titles of figures. Revisions to the figures is the responsibility of the Editorial committee. It was noted that the task group did not have sufficient time to fully update the graphics submitted.  <b>607.2 Clearance.</b> A clearance in front of bathtubs extending the length of the bathtub and 30 inches (760 mm) minimum in depth shall be provided. Where a <u>permanent seat transfer platform or folding in-tub seat</u> is provided at the head end of the bathtub, the clearance shall extend 12 inches (305 mm) minimum beyond the wall at the head end of the bathtub.		

## Report for 06-45– 2021

Exception: In an existing bathtub where bathroom is not reconfigured and a folding in-tub seat is installed, the additional 12 inches (305 mm) transfer clearance beyond the wall at the head end of the bathtub is not required if it would result in a reconfiguration of the space.

### FIGURE 607.2(B) CLEARANCE FOR BATHTUBS WITH SEAT TRANSFER PLATFORM AT HEAD END OF TUB

#### FIGURE 607.2(C) CLEARANCE FOR BATHTUBS WITH FOLDING IN-TUB SEAT AT HEAD END OF TUB

**607.3 Seat.** A permanent seat at the head end of the bathtub, folding in-tub seat at the head end of the tub or a removable in-tub seat shall be provided. Seats and transfer platforms shall comply with Section 610.

**607.4 Grab bars.** Grab bars shall comply with Section 609 and shall be provided in accordance with Section 607.4.1 or 607.4.2.

**Exception:** Grab bars shall not be required to be installed in a bathing facility for a single occupant accessed only through a private office and not for common use or public use, provided reinforcement has been installed in walls and located so as to permit the installation of grab bars complying with Section 607.4.

**607.4.1 Bathtubs with permanent seats transfer platforms.** For bathtubs with permanent seats transfer platforms, grab bars complying with Section 607.4.1 shall be provided.

**Figure 607.4.1(A) Grab Bars for Bathtubs with Seat Transfer Platforms at Head End of Tub – Elevation**

**Figure 607.4.1(B) Grab Bars for Bathtubs with Seat Transfer Platforms at Head End of Tub – Plan**

**607.4.2 Bathtubs with removable in-tub seats.** For bathtubs with removable in-tub seats, grab bars complying with Section 607.4.2 shall be provided.

**Figure 607.4.2(A) Grab Bars for Bathtubs with Removable In-tub Seats – Elevation**

**Figure 607.4.2(B) Grab Bars for Bathtubs with Removable In-tub Seats - Plan**

**607.4.3 Bathtubs with folding in-tub seats.** For bathtubs with folding in-tub seats at the head end of the tub, grab bars complying with Section 607.4.3 shall be provided.

**607.4.3.1 Back wall.** Two horizontal grab bars shall be provided on the back wall, one complying with Section 609.4 and the other located 8 inches (205 mm) minimum and 10 inches (255 mm) maximum above the rim of the bathtub. Each grab bar shall be 30 inches (610mm) minimum in length, located 18 inches (610 mm) maximum from the head end wall and extend to 12 inches (305 mm) maximum from the control end wall.

**Control end wall.** Control end wall grab bars shall comply with Section 607.4.3.2.

**Exception:** An L-shaped continuous grab bar of equivalent dimensions and positioning shall be permitted to serve the function of separate vertical and horizontal grab bars.

**607.4.3.2.1 Horizontal grab bar.** A horizontal grab bar 24 inches (610 mm) minimum in length shall be provided on the control end wall beginning near the front edge of the bathtub and extending toward the inside corner of the bathtub.

**607.4.3.2.2 Vertical grab bar.** A vertical grab bar 18 inches (455 mm) minimum in length shall be provided on the control end wall 3 inches (75 mm) minimum and 6 inches (150 mm) maximum above the horizontal grab bar, and 4 inches (100 mm) maximum inward from the front edge of the bathtub.

#### FIGURE 607.4.3(A) GRAB BARS FOR BATHTUBS WITH FOLDING IN-TUB SEATS – ELEVATION

#### FIGURE 607.4.3(B) GRAB BARS FOR BATHTUBS WITH FOLDING IN-TUB SEATS –PLAN

*(Note: The intent is to be coordinated with the modification for controls for all tubs.)*

**607.5 Controls.** The operable parts of the on/off water floor, temperature and diverter controls Controls, other than drain stoppers, shall be provided on an end wall, located between the bathtub rim and grab bar, and between the open side of the bathtub and the centerline of the width of the bathtub. Such Controls shall comply with Section 309.4.

*(Note: The intent is to be coordinated with the modification for hand showers for all tubs.)*

**607.6 Hand shower.** A hand shower with a hose 59 inches (1500 mm) minimum in length, that can be used as both a fixed shower head and as a hand shower, shall be provided. The hand shower shall have a control with a nonpositive shut-off feature. A fixed shower head, in addition to the hand shower shall be permitted.

**Exception:** In other than Accessible units and Type A units, a fixed shower head located 48 inches (1220 mm) maximum above the shower floor shall be permitted in lieu of a hand shower.

A mount to hold the hand shower shall be provided and located in accordance with Section 607.6.1 or 607.6.2 as applicable. Where provided, an adjustable-height hand shower mounted on a vertical bar shall be installed so as to not obstruct the use of grab bars.

**Exception:** The mount to hold the hand shower shall be permitted to be located on a vertical bar provided that the mount is adjustable in height and the mount can be located within the area specified for the fixed mount.

**607.6.1 Bathtubs with removable in-tub seats.** For a bathtub with a moveable in-tub seat, the mount to hold the hand shower shall be located in accordance with the following:

1. At a height of 38 inches (965 mm) minimum and 48 inches (1220 mm) maximum above the tub floor.

2. Located on the control wall opposite the seat and located within 15 inches (380 mm) maximum from the centerline of the seat.

**Exception:** The mount to hold the hand shower shall be permitted to be located on a vertical bar provided that the mount is adjustable in height and can be located within the area specified for the fixed mount.

**607.6.2 Bathtubs with folding seats.** For a bathtub with a folding seat, the mount to hold the hand shower shall be located in accordance with the following:

1. At a height of 38 inches (965 mm) minimum and 48 inches (1220 mm) maximum above the tub floor.

2. Located on the back wall 16 inches (405 mm) minimum and 27 inches (685 mm) maximum from the wall behind the seat.

**Exception:** The mount to hold the hand shower shall be permitted to be located on a vertical bar provided that the mount is adjustable in height and can be located within the area specified for the fixed mount.

## Report for 06-45- 2021

### FIGURE 607.6.2 LOCATION OF MOUNT FOR BATHTUB WITH FOLDING SEAT

**609.4.1 General.** Grab bars shall be installed in a horizontal position, 33 inches (840 mm) minimum and 36 inches (915 mm) maximum above the floor measured to the top of the gripping surface or shall be installed as required by Items 1 through 3.

1. The lower grab bar on the back wall of a bathtub shall comply with Section 607.4.1.1, or 607.4.2.1 or 607.4.3.1.
2. Vertical grab bars shall comply with Sections 604.5.1.2, 607.4.1.2.2, 607.4.2.2, 607.4.3.2.2 and 608.3.1.2.
3. Grab bars at water closets primarily for children's use shall comply with Section 609.4.2.

**610.2 Bathtub seats.** The height of bathtub seats shall be 17 inches (430 mm) minimum and 19 inches (485 mm) maximum above the bathroom floor, measured to the top of the seat. Bathtub seats shall be rectangular in shape.

**610.2.1 Removable in-tub seats.** Removable in-tub seats shall be 15 inches (380 mm) minimum and 16 inches (405 mm) maximum in depth. Removable in-tub seats shall be capable of secure placement.

### FIGURE 610.2(A)-610.2.1 BATHTUB SEATS REMOVABLE IN-TUB SEATS

**610.2.2 Bathtubs with transfer platforms.** Permanent seats Transfer platforms shall be 15 inches (380 mm) minimum in depth and shall extend from the back wall to or beyond the outer edge of the bathtub. Permanent seats Transfer platforms shall be positioned at the head end of the bathtub.

### FIGURE 610.2(B) 610.2.2 BATHTUB SEATS SEAT TRANSFER PLATFORM PROVIDED AT HEAD END OF TUB

**610.2.3 Folding in-tub seats.** Folding in-tub seats shall be mounted on the head wall. The rear edge of a seat shall be 2-1/2 inches (64 mm) maximum and the seat shall be 15 inches (380 mm) minimum and 16 inches (405 mm) maximum in depth. The side edge of the seat shall be 1-1/2 inches (38 mm) maximum from the back wall.

### FIGURE 610.2.3 BATHTUB SEATS FOLDING IN-TUB SEAT PROVIDED AT HEAD END OF TUB

Committee Reason: The option for a folding seat at the head end of a tub provides some definite advantages over the removeable seat. By being mounted this reduces the chance of the seat slipping and makes sure that the seat does not disappear from the room. This also allow for the person to put down the seat themselves rather than needed staff to come and install the portable seat. This also provides a back rest for a person using the tub. Some of the task group felt that providing for a back rest and having the seat overlap the tub so that it could be used for showering was an improvement for accessibility, even without being able to adjust the water while showering. The proposal does put the hand shower mount within reach of the seat. Since there was some concern about the limited leg space with the removeable seat close to the control wall, this option also provides space for someone that needed more leg room.

There was discussion about the scoping for the three options for bathtubs. The task group stated that the intent was for no change to the scoping and to allow for any of the three options.

### BALLOT COMMENT 1- FIRST DRAFT:

Proponent: Kimberly Paarlberg, ICC

Desired Action: Affirmative with comment

Modification:

Further modify as shown in red

### 06-42-21 AM; 06-45-21 AM correlation

**607.3 Seats.** A permanent seat at the head end of the bathtub or a folding in-tub seat at the head end of the tub or a removable in-tub seat shall be provided. Removable in-tub seats, folding in-tub seats and transfer platforms Seats shall comply with Section 610.

### 06-45-21 AM; 06-47-21 AM correlation; 06-53-21 AM; 06-54-21 AM

**607.6 Hand shower.** A hand shower with a hose 59 inches (1500 mm) minimum in length, that can be used as both a fixed shower head and as a hand shower, shall be provided. The hand shower shall have a control with a nonpositive shut-off feature. A fixed shower head, in addition to the hand shower shall be permitted.

#### Exceptions Exception:

3. In other than Accessible units and Type A units, a fixed shower head located 48 inches (1220 mm) maximum above the shower floor shall be permitted in lieu of a hand shower.
4. In Accessible units, a fixed shower head located at not greater than 48 inches (1220 mm) above the tub floor shall be permitted in lieu of a hand shower where the toilet or bathing room is specially designed without protrusions for purposes of suicide prevention.

A mount to hold the hand shower shall be provided and located on the control wall at a height of 38 inches (965 mm) minimum and 48 inches (1220 mm) maximum above the tub floor, in accordance with Section 607.6.1 or 607.6.2 as applicable. Where provided, an adjustable height hand shower mounted on a vertical bar shall be installed so as to not obstruct the use of grab bars.

Exception: The mount to hold the hand shower shall be permitted to be located on a vertical bar provided that the mount is adjustable in height and the mount can be located within the area specified for the fixed mount.

### 06-45-21 AM; 06-47-21 AM correlation

**607.6.1 Bathtubs with removable in-tub seats.** For a bathtub with a moveable in-tub seat, the mount to hold the hand shower shall be located in accordance with to the following:

3. At a height of 38 inches (965 mm) minimum and 48 inches (1220 mm) maximum above the bathtub floor.
  2. Located on the control wall opposite the seat and located within 15 inches (380 mm) maximum from the centerline of the seat.
- Exception: The mount to hold the hand shower shall be permitted to be located on a vertical bar provided that the mount is adjustable in height and can be located within the area specified for the fixed mount.

### 06-47-21 AM correlation

### Figure 607.6-607.6.1

### LOCATION OF BATHTUB HAND SHOWER MOUNT LOCATION

**Report for 06-45– 2021**

Reason:

This is the proposal for folding seats at the head of the tub.

I agree with the new proposal for the folding seat at the head end of the tub. It provides better bathing options than the transfer platform, provides back support for users, and will provide a stable seat by being attached. However, the following coordination is needed for the control section for coordination with 06-47 for a split between controls and the shower mounts.

**Committee decision: AS/AM/D**

**Committee Vote at Meeting:**

**Committee Vote on Ballot:**

**REPORT OF HEARING – FIRST DRAFT**

Modification (if any):

Committee Reason:

**BALLOT COMMENT- SECOND DRAFT:**

Proponent:

Desired Action:

Modification:

Reason:

**Committee decision: AS/AM/D**

**Committee Vote at Meeting:**

**Committee Vote on Ballot:**

**FINAL ACTION:**

Modification (if any):

Committee Reason:

## 06-47 – 2021 overview

Proposal number	Proponent	Standard Sections	Committee Actions	Mtg. Date	Notes; Groups; groupings
06-47	Thompson	607.5, 608.4, 608.4.1, 608.4.2, 608.4.3	AM 26-0-1	10-20-22	Bathing related

Comment	Proponent	Requested Action	Committee Action	Mtg. Date	Notes; Groups; groupings
<b>BC1</b>	Paarlberg, ICC	Affirmative			Editorial

BC= Ballot Comment, PC= Public comment, **Bold Comment number** is proposed revision below

## 06-47 – 2021

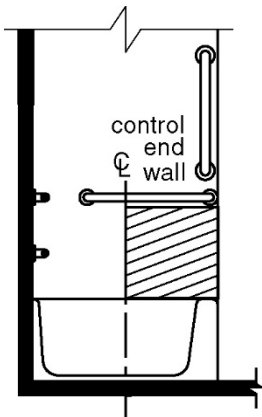
**607.5, 608.4, 608.4.1, 608.4.2, 608.4.3**

**Proponent:** Kyle Thompson, Plumbing Manufacturers International (PMI)

Revise as follows:

### SECTION 607 BATHTUBS

**607.5 Controls.** Temperature and on-or-off flow controls for bathtubs or combination tub-or-showers, and controls for shower diversion, Controls other than drain stoppers, shall be provided on an end wall, located between the bathtub rim and grab bar, and between the open side of the bathtub and the centerline of the width of the bathtub. Such controls shall comply with Section 309.4.



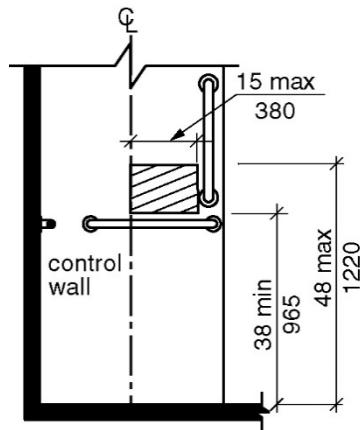
**FIGURE 607.5**  
**LOCATION OF BATHTUB CONTROLS**

### SECTION 608 SHOWER COMPARTMENTS

**608.4 Controls and hand showers.** Controls for temperature and on-or-off flow controls for showers and where provided, controls for shower diversion, and hand showers shall comply with Sections 608.4.1 through Section 608.4.3 and Section 309.4.

**608.4.1 Transfer-type showers.** In transfer-type showers, the controls and hand shower shall be located in accordance with all of the following:

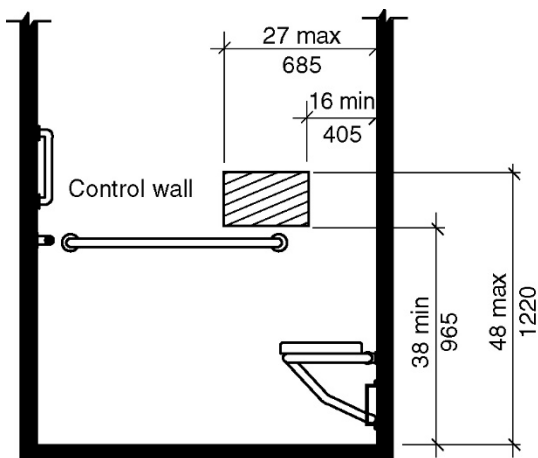
1. On the control wall opposite the seat.
2. At a height of 38 inches (965 mm) minimum and 48 inches (1220 mm) maximum above the shower floor, and
3. 15 inches (380 mm) maximum, from the centerline of the control wall toward the shower opening.



**FIGURE 608.4.1**  
**TRANSFER-TYPE SHOWER CONTROLS AND HAND SHOWER LOCATION**

**608.4.2 Standard roll-in showers.** In standard roll-in showers, the controls and hand shower shall be located above the seat. The controls and hand showers shall be located in accordance with all of the following:

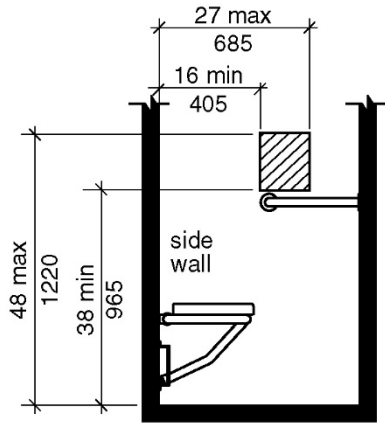
1. On the back wall,
2. At a height of 38 inches (965 mm) minimum and 48 inches (1220 mm) maximum above the shower floor and
3. 16 inches (405 mm) minimum and 27 inches (685 mm) maximum from the wall behind the seat.



**FIGURE 608.4.2**  
**STANDARD ROLL-IN-TYPE SHOWER CONTROLS AND HAND SHOWER LOCATION**

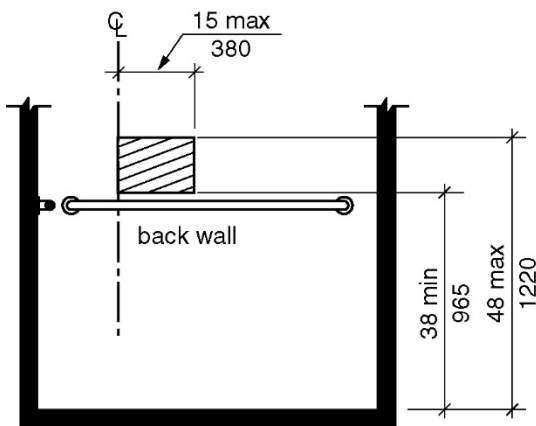
**608.4.3 Alternate roll-in showers.** In alternate roll-in showers, the controls ~~and hand shower~~ shall be located at a height of not less than 38 inches (965 mm) and not greater than 48 inches above the shower floor, and in accordance with one of the following:

1. ~~At a height of 38 inches (965 mm) minimum and 48 inches (1220 mm) maximum above the shower floor, and~~
1. 2. Where the controls ~~and hand shower~~ are located on the end wall adjacent to the seat, the controls ~~and hand shower~~ shall be 16 inches (405 mm) minimum and 27 inches (685 mm) maximum from the wall behind the seat wall.
2. 3. Where the controls ~~and hand shower~~ are located on the back wall opposite the seat, the controls ~~and hand shower~~ shall be located within 15 inches (380 mm) maximum from the centerline of the seat toward the transfer space.



(a)  
Side Wall  
(Elevation)

**FIGURE 608.4.3(A)  
ALTERNATE ROLL-IN-TYPE SHOWER CONTROLS AND HAND SHOWER LOCATION - END WALL - ELEVATION**



(b)  
Back Wall  
(Elevation)

**FIGURE 608.4.3(B)  
ALTERNATE ROLL-IN-TYPE SHOWER CONTROLS AND HAND SHOWER LOCATION - CONTROL WALL - ELEVATION**



occasion enforced that the means to hold the hand shower be located in the shaded area along with other controls. The proposed code change clarifies that only temperature, on-or-off flow and shower diversion controls are required to be located in the shaded area as it impossible in most instances to include all of these controls along with the means to hold the hand shower in such small spaces. Also, the proposed modifications make it clear that only temperature, on-or-off flow controls and shower diversion controls are required to meet the requirements of Section 309.4. It should be noted that requirements for hand showers are already addressed in Sections 607.6 and 608.5.

## 06-47 – 2021 Replacement

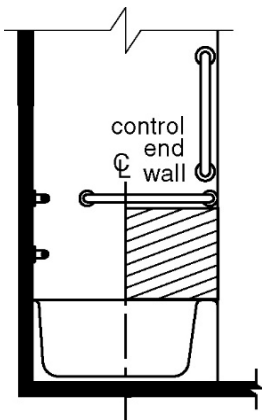
### 607.5, 608.4, 608.4.1, 608.4.2, 608.4.3

**Proponent:** Accessible Bathing Task Group

**Replace with the following:**

#### SECTION 607 BATHTUBS

**607.5 Controls.** ~~Controls other than drain stoppers,~~ The operable parts for the on/off water flow, temperature and diverter controls shall be provided on an end wall, located between the bathtub rim and grab bar, and between the open side of the bathtub and the centerline of the width of the bathtub. Such controls shall comply with Section 309.4.



**Figure 607.5**  
LOCATION OF BATHTUB CONTROLS

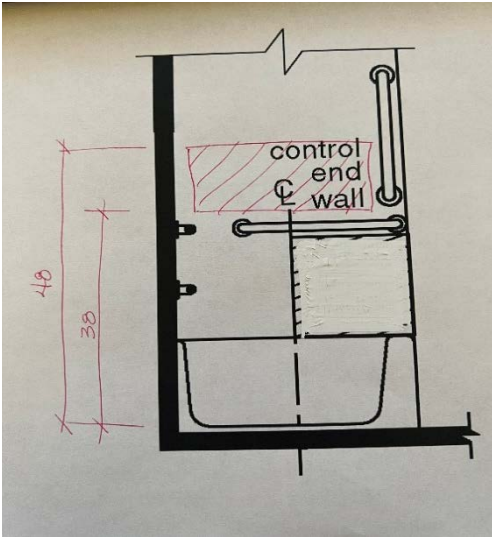
**607.6 Hand shower.** A hand shower with a hose 59 inches (1500 mm) minimum in length, that can be used as both a fixed shower head and as a hand shower, shall be provided. The hand shower shall have ~~a control with~~ a nonpositive shut-off feature. A fixed shower head, in addition to the hand shower shall be permitted.

**Exception:** In other than Accessible units and Type A units, a fixed shower head located 48 inches (1220 mm) maximum above the shower floor shall be permitted in lieu of a hand shower.

A mount to hold the hand shower shall be provided and located on the control wall at a height of 38 inches (965 mm) minimum and 48 inches (1220 mm) maximum above the tub floor. ~~Where provided, an~~

~~adjustable height hand shower mounted on a vertical bar shall be installed so as to not obstruct the use of grab bars.~~

**Exception:** The mount to hold the hand shower shall be permitted to be located on a vertical bar provided that the mount is adjustable in height and the mount can be located within the area specified for the fixed mount.



**Figure 607.6**

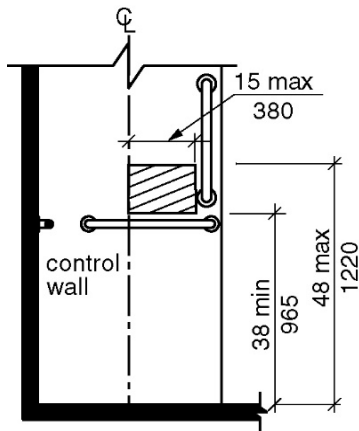
**LOCATION OF BATHTUB HAND SHOWER MOUNT LOCATION**

**SECTION 608  
SHOWER COMPARTMENTS**

**608.4 Controls and hand showers.** The operable parts for the on/off water flow, temperature and diverter Controls and hand showers shall comply with Section 309.4 and Sections ~~608.4~~ 608.4.1, 608.4.2 or 608.4.3 as applicable ~~and 309.4.~~

**608.4.1 Controls in Transfer-type showers.** In transfer-type showers, the operable parts for the on/off water flow, temperature and diverter controls and hand shower shall be located in accordance with all of the following:

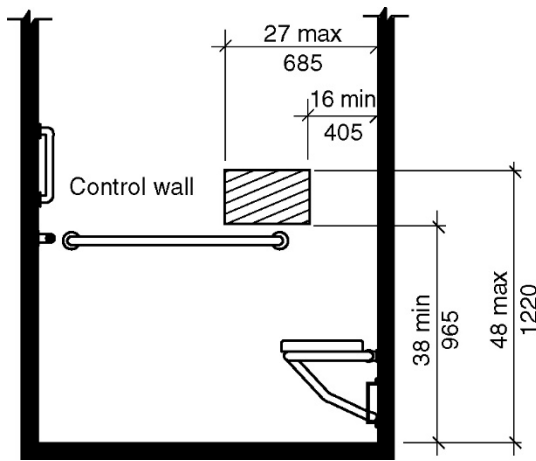
1. On the control wall opposite the seat.
2. At a height of 38 inches (965 mm) minimum and 48 inches (1220 mm) maximum above the shower floor, ~~and~~
3. 15 inches (380 mm) maximum, from the centerline of the control wall toward the shower opening.



**FIGURE 608.4.1**  
**TRANSFER-TYPE SHOWER CONTROLS AND HAND-SHOWER LOCATION**

**608.4.2 Controls in Standard roll-in showers.** In standard roll-in showers, the operable parts for the on/off water flow, temperature and diverter controls and hand-shower shall not be located above the seat. ~~Controls and hand showers shall be located in accordance with all of according to the following:~~

1. On the back wall;
2. At a height of 38 inches (965 mm) minimum and 48 inches (1220 mm) maximum above the shower floor ~~and~~
3. 16 inches (405 mm) minimum and 27 inches (685 mm) maximum from the wall behind the seat.

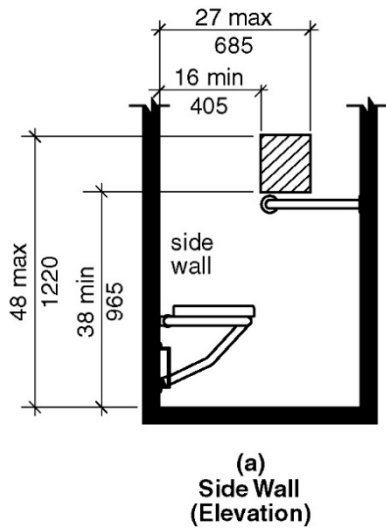


**FIGURE 608.4.2**  
**STANDARD ROLL-IN-TYPE SHOWER CONTROLS AND HAND-SHOWER LOCATION**

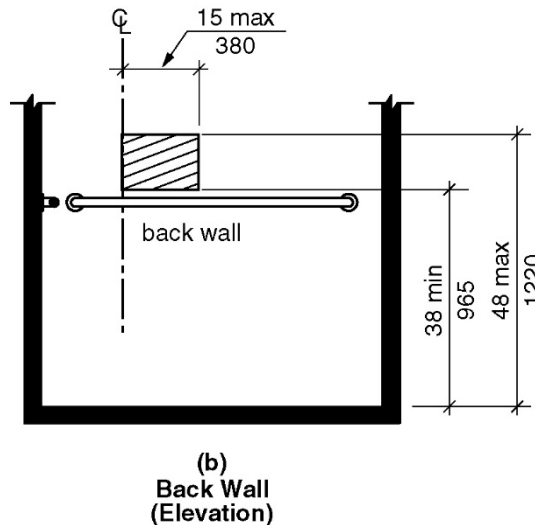
**608.4.3 Controls in Alternate roll-in showers.** In alternate roll-in showers, the operable parts for the on/off water flow, temperature and diverter controls and hand-shower shall be located in accordance with the following:

1. At a height of 38 inches (965 mm) minimum and 48 inches (1220 mm) maximum above the shower floor, ~~and~~
2. Where the controls ~~and hand shower~~ are located on the end wall adjacent to the seat, the controls ~~and hand shower~~ shall be 16 inches (405 mm) minimum and 27 inches (685 mm) maximum from the wall behind the seat wall, ~~or~~

3. Where the controls ~~and hand shower~~ are located on the back wall opposite the seat, the controls ~~and hand shower~~ shall be located within 15 inches (380 mm) maximum from the centerline of the seat toward the transfer space.



**FIGURE 608.4.3(A)**  
**ALTERNATE ROLL-IN-TYPE SHOWER CONTROLS AND HAND SHOWER LOCATION -**  
**END WALL – ELEVATION**



**FIGURE 608.4.3(B)**  
**ALTERNATE ROLL-IN-TYPE SHOWER CONTROLS AND HAND SHOWER LOCATION -**  
**CONTROL WALL – ELEVATION**

**608.5 Hand showers.** A hand shower with a hose 59 inches (1500 mm) minimum in length, that can be used both as a fixed shower head and as a hand shower, shall be provided. The hand shower shall have a ~~control~~ with a nonpositive shut-off feature. A fixed shower head, in addition to the hand shower shall be permitted.

**Exception:** In other than Accessible units and Type A units, a fixed shower head located 48 inches (1220 mm) maximum above the shower floor shall be permitted in lieu of a hand shower.

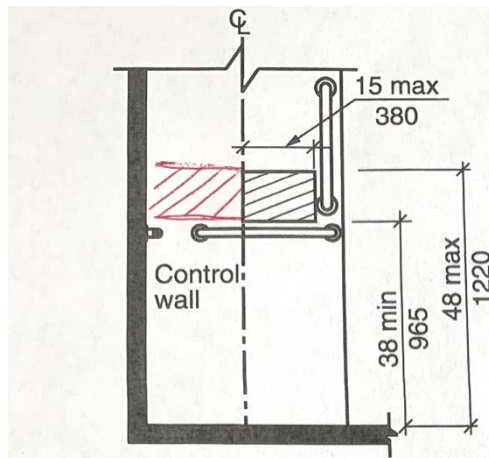
A ~~means mount~~ to hold the hand shower ~~wand while in the on or off position~~ shall be provided and located in accordance with Sections 608.5.1, 608.5.2 or 608.5.3 as applicable. ~~at a height of 38 inches (965~~

mm) minimum and 48 inches (1220 mm) maximum above the shower finish floor. Where provided, an adjustable height hand shower mounted on a vertical bar shall be installed so as to not obstruct the use of grab bars.

**608.5.1 Hand Showers mounts in Transfer-type showers.** In transfer-type showers, the mount to hold the hand shower shall be located in accordance with to the following:

2. At a height of 38 inches (965 mm) minimum and 48 inches (1220 mm) maximum above the shower floor.
2. Where the mount is located on the back wall, the mount shall be 16 inches (405 mm) minimum and 27 inches (685 mm) maximum from the wall behind the seat.
3. Where the mount located on the control wall opposite the seat, the mount shall be located within 15 inches (380 mm) maximum from the centerline of the seat.

**Exception:** The mount to hold the hand shower shall be permitted to be located on a vertical bar provided that the mount is adjustable in height and can be located within the area specified for the fixed mount.

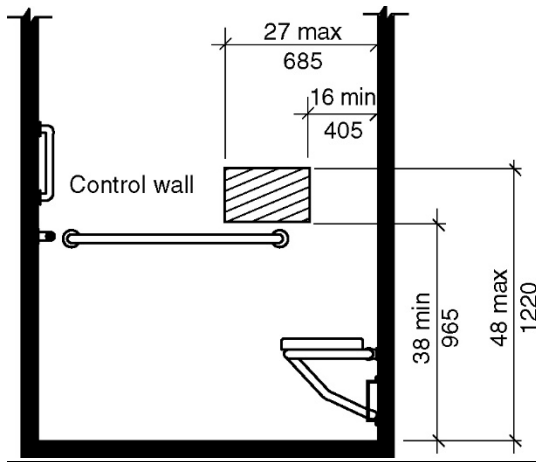


**FIGURE 608.5.1**  
**TRANSFER-TYPE SHOWER HAND SHOWER MOUNT LOCATION**

**608.5.2 Hand Showers mounts in Standard roll-in showers.** In standard roll-in showers, the mount to hold the hand shower shall be located in accordance with to the following:

2. At a height of 38 inches (965 mm) minimum and 48 inches (1220 mm) maximum above the shower floor.
2. Located on the back wall 16 inches (405 mm) minimum and 27 inches (685 mm) maximum from the wall behind the seat.

**Exception:** The mount to hold the hand shower shall be permitted to be located on a vertical bar provided that the mount is adjustable in height and can be located within the area specified for the fixed mount.

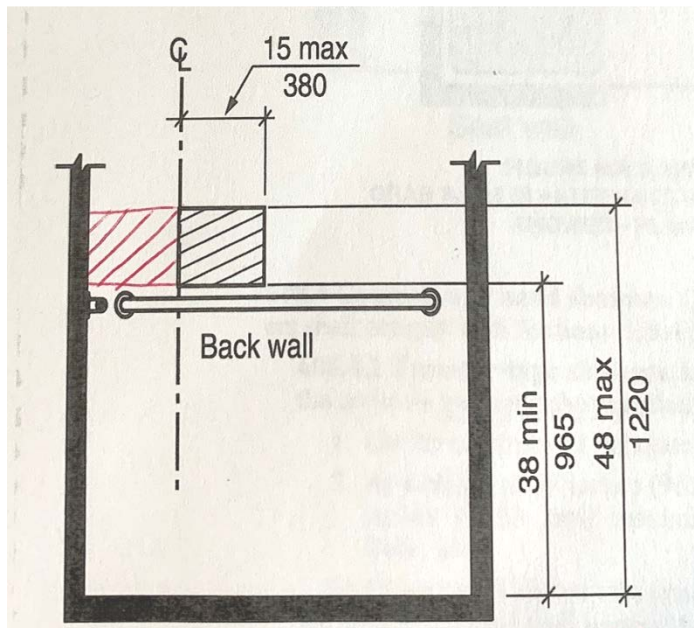


**FIGURE 608.4.2**  
**STANDARD ROLL-IN-TYPE SHOWER HAND SHOWER MOUNT LOCATION**

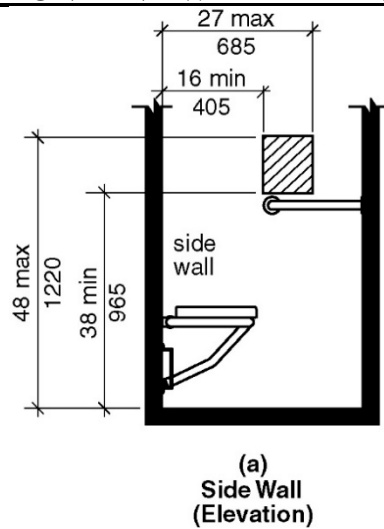
**608.5.3 Hand Showers mounts in Alternate roll-in showers.** In alternate roll-in showers, the mount to hold the hand shower shall be located in accordance with to the following:

1. At a height of 38 inches (965 mm) minimum and 48 inches (1220 mm) maximum above the shower floor.
2. Where the mount is located on the end wall adjacent to the seat, the mount shall be 16 inches (405 mm) minimum and 27 inches (685 mm) maximum from the wall behind the seat.
3. Where the mount is located on the back wall opposite the seat, the mount shall be located within 15 inches (380 mm) maximum from the centerline of the seat.

**Exception:** The mount to hold the hand shower shall be permitted to be located on a vertical bar provided that the mount is adjustable in height and can be located within the area specified for the fixed mount.



**FIGURE 608.4.3(C) ALTERNATE ROLL-IN-TYPE SHOWER HAND SHOWER MOUNT LOCATION - END WALL – ELEVATION**



**FIGURE 608.4.3(D)**  
**ALTERNATE ROLL-IN-TYPE SHOWER HAND SHOWER MOUNT LOCATION - CONTROL WALL – ELEVATION**

**SECTION 609**  
**GRAB BARS**

**609.3 Spacing.** The space between the wall and the grab bar shall be 1½ inches (38 mm). The space between the grab bar and projecting objects below and at the ends of the grab bar shall be 1½ inches (38 mm) minimum. The space between the grab bar and projecting objects above the grab bar shall be 12 inches (305 mm) minimum.

**Exceptions:**

1. The space between the grab bars and shower operable parts for the on/off water flow, temperature and divertor controls, shower or bathtub fittings, including the vertical bar for the adjustable mount for the hand shower, and other grab bars above the grab bar shall be permitted to be 1½ inches (38 mm) minimum.
2. Recessed dispensers projecting from the wall ¼ inch (6.4 mm) maximum measured from the face of the dispenser and complying with Section 604.7 shall be permitted within the 12-inch (305 mm) space above and the 1½-inch (38 mm) spaces below and at the ends of the grab bar.

Reason: The Accessible Bathing Task Group took a look at all the proposal for clarification of the location of the controls and the requirements for hand showers used in tubs and showers. This modification does not address proposals that reduced or increased the size of the control area.

The work group feels that this will address issues in items 06-47, 06-48, 06-49, 06-51, 06-52, 06-66, 06-68 06-53 – Mazz modification to Exception 2  
06-54, 06-55, 06-69, 06-70 – except for the part about allow adjustment of spray direction

06-67 - Could be adding additional control area for transfer showers. Should be expanded to alternate roll-in showers.

The following would need coordination –

06-61- If passes, coordination needed with controls and hand showers.

06-62 - If passes, coordination needed with controls and hand showers.

Assumptions - In other than roll-in showers, the water is turned on before you transfer, so access to the controls is from the transfer space. In the roll-in shower access to controls is from the seat. The location of the mount to hold the hand shower is convenient to the person when they are on the seat.

- The current text is inconsistent in language. This modification uses consistent terminology in tubs and showers.
- The current text is inconsistent for what is included in the control area (sometimes including hand showers) – to address this the task group is recommending a split between requirements for controls, and requirements for hand showers and the supporting mount.
- There were question about what controls or included – to address this the task group is recommending “operable parts for the on/off water flow, temperature and divertor controls”. Some tub/shower controls have temperature
- There were questions about what part of the controls had to be within the area specified – to address this the committee is suggesting “operable parts” so you do not have to include back plate escutcheons.
- There are questions about if the hand shower has to serve as the fixed shower head or a tub/shower could have a fixed head and a hand shower with a diverter to switch from one to the other – to address this the task group is recommending “A fixed shower head, in addition to the hand shower shall be permitted.”
- The hand shower consists of the hose, the shower head and the non-positive shut off valve. For clarification, this modification specifies a mount to hold the hand shower within reach of the seat and above the grab bar. Current language does exist to allow for an adjustable height mount on a vertical grab bar – this modification clarifies the text and moves it to an exception.
- Current language says the vertical bar shall not obstruct the grab bars, but this was open to interpretation - The general provisions for grab bars (609.3) has been revised to clarify how close that vertical bar can be to grab bars.

---

Committee Action: Approval as Modified 26-0-1

## **REPORT OF HEARING:**

**Modification (if any):** See the replacement proposal above.

**Committee Reason:** The committee agreed that this modification will address issues in items 06-47, 06-48, 06-49, 06-51, 06-52, 06-66, 06-68.

This proposal will coordinate the requirements and terminology for controls and hand showers across tubs and showers. The revision for which controls are expected within the specified area, and that the operable parts of those controls need to be within this area is a good clarification. The proposal clarifies that a fixed shower head in addition to the hand shower is permitted. The committee felt that requirements for a hand shower mount was always intended, and the revisions clarify that the mount for the hand shower is within



reach of the seat. The allowance for an adjustable mount on a vertical grab bar is clarified with the relocation to the exception, the rewording and the added text in Section 609.3 Exception 1.

## 06-47 – 2021 Ballot Comments

### BALLOT COMMENT 1- FIRST DRAFT:

Proponent: *Kimberly Paarlberg, ICC*

Desired Action: Affirmative with comment

Modification: See Ballot Comment 1

## 06-47 – 2021 Ballot Comment 1

608

Proponent: Kimberly Paarlberg, ICC

Further modify as shown in red:

**06-47-21 AM need coordination with 06-61-21 AM**

**608.4 Controls and hand showers.** The operable parts for the on/off water flow, temperature and diverter Controls and hand showers shall comply with Section 309.4 and Sections ~~608.4~~ 608.4.1, 608.4.2, ~~608.4.2~~ 608.4.3 or ~~608.4.3~~ 608.4.4 as applicable and 309.4.

**06-47-21 AM; 06-67-21 AM correlation with spit of hand showers and controls – only change to allow area for controls under grab bar and no change for hand showers from 06-67-21 AM**

**608.4.1 Controls in Transfer-type showers.** In transfer-type showers, the operable parts for the on/off water flow, temperature and diverter controls and hand shower shall be located in accordance with all of the following:

1. On the control wall opposite the seat.  
~~2. Hand showers can be located at~~ At a height of ~~27 inches (686 mm)~~ 38 inches (965 mm) minimum and 48 inches (1220 mm) maximum above the shower floor, and
- ~~2. Controls can be located at a height of 27 inches (686 mm) minimum and 48 inches (1220 mm) maximum above the shower floor, and~~
3. 15 inches (380 mm) maximum, from the centerline of the control wall toward the shower opening.

**06-47-21 AM 06-67-21 AM correlation with spit of hand showers and controls – only change to allow area for controls under grab bar and no change for hand showers from 06-67-21 AM**

### Figure 608.4.1

TRANSFER-TYPE SHOWER CONTROLS AND HAND SHOWER LOCATION

*Note: add location for controls below grab bar on figure.*

**06-61-21 AM correlation with 06-47-21 AM; coordination needed with 06-67-21 AM**

**608.4.2 Controls in Alternate transfer-type showers.** In alternate transfer-type showers, the operable parts for the on/off water flow, temperature and diverter controls and hand shower shall be located in accordance with the following:

1. On the control wall opposite the seat.
2. At a height of 15 inches (381 mm) 27 inches (686 mm) minimum and 48 inches (1220 mm) maximum above the shower floor, and
3. 15 inches (380 mm) maximum, from the centerline of the control wall toward the shower opening.

**06-61-21 AM** add figure for consistency with other options

**Figure 608.4.2**

**ALTERNATE TRANSFER-TYPE SHOWER CONTROLS LOCATION**

**06-47-21 AM; 06-62-21 AM**

**608.4.2 608.4.3 Controls in Standard roll-in showers with seats.** In standard roll-in showers with seats, the operable parts for the on/off water flow, temperature and diverter controls and hand shower shall not be located above the seat. Controls and hand showers shall be located in accordance with all of according to the following:

1. On the back wall;
2. At a height of 38 inches (965 mm) minimum and 48 inches (1220 mm) maximum above the shower floor and
3. 16 inches (405 mm) minimum and 27 inches (685 mm) maximum from the wall behind the seat.

**06-47-21 AM; 06-62-21 AM**

**Figure 608.4.2 608.4.3**

**STANDARD ROLL-IN-TYPE SHOWER WITH SEAT CONTROLS AND HAND SHOWER LOCATION**

**06-62-21 AM ; correlation with 06-47-21 AM**

**608.4.3 608.4.4 Controls in Standard roll-in showers with no seat.** In standard roll-in showers with no seat, the operable parts for the on/off water flow, temperature and diverter controls and hand showers shall be located according to in accordance with the following:

1. On the back wall or side walls.
2. At a height of 38 inches (965 mm) minimum and 48 inches (1220 mm) maximum above the shower floor.

**06-62-21 AM ; correlation with 06-47-21 AM**

**FIGURE 608.4.3**

**STANDARD ROLL-IN-TYPE SHOWER WITH NO SEAT CONTROLS AND HAND SHOWER LOCATION**

**06-47-21 AM; 06-67-21 AM correlation with spit of hand showers and controls – only change to allow area for controls under grab bar across from seat and no change for hand showers from 06-67-21 AM**

**608.4.3 608.4.5 Controls in Alternate roll-in showers.** In alternate roll-in showers, the operable parts for the on/off water flow, temperature and diverter controls and hand shower shall be located in accordance with one of the following:

1. At a height of 38 inches (965 mm) minimum and 48 inches (1220 mm) maximum above the shower floor, and
- 1.2. Where the controls and hand shower are located on the end wall adjacent to the seat, the controls and hand shower shall be located:
  - 1.1. At a height of 38 inches (965 mm) minimum and 48 inches (1220 mm) maximum above the shower floor

1.2 16 inches (405 mm) minimum and 27 inches (685 mm) maximum from the wall behind the seat wall, or

2.3. Where the controls and hand shower are located on the back wall opposite the seat, the controls shall be located:

2.1. Hand showers can be located at a height of 38 inches (965 mm) minimum and 48 inches (1220 mm) maximum above the shower floor.

2.2. Controls can be located at a height of 27 inches (686 mm) minimum and 48 inches (1220 mm) maximum above the shower floor, and

2.3. 2.2 the controls and hand shower shall be located within 15 inches (380 mm) maximum from the centerline of the seat toward the transfer space.

#### 06-47-21 AM

#### Figure 608.4.3 608.4.5 (A)

ALTERNATE ROLL-IN-TYPE SHOWER CONTROLS AND HAND SHOWER LOCATION – SIDE WALL – ELEVATION

06-47-21 AM 06-67-21 AM correlation with spit of hand showers and controls – only change to allow area for controls under grab bar across from seat and no change for hand showers from 06-67-21 AM

#### Figure 608.4.3 608.4.5 (B)

ALTERNATE ROLL-IN-TYPE SHOWER CONTROLS AND HAND SHOWER LOCATION – BACK WALL – ELEVATION

*Note: add location for controls below grab bar on figure.*

#### 06-47-21 AM; 06-53-21 AM; 06-69-21 AM

**608.5 Hand showers.** A hand shower with a hose 59 inches (1500 mm) minimum in length, that can be used both as a fixed shower head and as a hand shower, shall be provided. The hand shower shall have a control with a nonpositive shut-off feature that complies with 309.4. A fixed shower head, in addition to the hand shower shall be permitted.

#### Exception Exceptions:

1. In other than Accessible units and Type A units, a fixed shower head located 48 inches (1220 mm) maximum above the shower floor shall be permitted in lieu of a hand shower.
2. In Accessible units, a fixed shower head located at not greater than 48 inches (1220 mm) above the tub floor shall be permitted in lieu of a hand shower where toilet or bathing room is specially designed without protrusions for purposes of suicide prevention.

A means mount to hold the hand shower wand while in the on or off position shall be provided and located in accordance with Sections 608.5.1, 608.5.2 or 608.5.3 as applicable. at a height of 38 inches (965 mm) minimum and 48 inches (1220 mm) maximum above the shower finish floor. Where provided, an adjustable height hand shower mounted on a vertical bar shall be installed so as to not obstruct the use of grab bars.

06-47-21 AM; 06-67-21 AM correlation with spit of hand showers and controls – only change to allow area for controls under grab bar and no change for hand showers from 06-67-21 AM

**608.5.1 Hand Showers mounts in Transfer-type showers.** In transfer-type showers, the mount to hold the hand shower shall be located in accordance with to the following:

1. At a height of 38 inches (965 mm) minimum and 48 inches (1220 mm) maximum above the shower floor.

2. Where the mount is located on the back wall, the mount shall be 16 inches (405 mm) minimum and 27 inches (685 mm) maximum from the wall behind the seat.
3. Where the mount is located on the control wall opposite the seat, the mount shall be located within 15 inches (380 mm) maximum from the centerline of the seat.

**Exception:** The mount to hold the hand shower shall be permitted to be located on a vertical bar provided that the mount is adjustable in height and can be located within the area specified for the fixed mount.

#### **06-47-21 AM**

#### **FIGURE 608.5.1**

#### **TRANSFER-TYPE SHOWER HAND SHOWER MOUNT LOCATION**

#### **06-61-21 AM correlation with 06-47-21 AM and heights in 06-67-21 AM**

**608.5.2 Hand shower mounts in alternate transfer-type showers.** In alternate transfer-type showers, the mount to hold the hand shower shall be located in accordance with the following:

1. On the control wall opposite the seat.
2. At a height of 38 inches (965 mm) minimum and 48 inches (1220 mm) maximum above the shower floor.
3. The mount shall be located within 15 inches (380 mm) maximum from the centerline of the seat.

**Exception:** The mount to hold the hand shower shall be permitted to be located on a vertical bar provided that the mount is adjustable in height and can be located within the area specified for the fixed mount.

#### **06-61-21 AM correlation with 06-47-21 AM and heights in 06-67-21 AM**

#### **FIGURE 608.5.2**

#### **ALTERNATE TRANSFER-TYPE SHOWER HAND SHOWER MOUNT LOCATION**

#### **06-47-21 AM; correlation with 06-62-21 AM**

**608.5.2 608.5.3 Hand showers mounts in standard roll-in showers with seats.** In standard roll-in showers with seats, the mount to hold the hand shower shall be located in accordance with to the following:

1. At a height of 38 inches (965 mm) minimum and 48 inches (1220 mm) maximum above the shower floor.
2. Located on the back wall 16 inches (405 mm) minimum and 27 inches (685 mm) maximum from the wall behind the seat.

**Exception:** The mount to hold the hand shower shall be permitted to be located on a vertical bar provided that the mount is adjustable in height and can be located within the area specified for the fixed mount.

#### **06-47-21 AM ; correlation with 06-62-21 AM**

#### **FIGURE 608.5.2 608.5.3**

#### **STANDARD ROLL-IN-TYPE SHOWER WITH SEATS HAND SHOWER MOUNT LOCATION**

#### **06-62-21 AM ; correlation with 06-47-21 AM**

**608.5.4 Hand shower mounts in standard roll-in showers with no seat.** In standard roll-in showers with no seats, the mount to hold the hand shower shall be located in accordance with to the following:

1. On the back wall or side walls.
2. At a height of 38 inches (965 mm) minimum and 48 inches (1220 mm) maximum above the shower floor.

Exception: The mount to hold the hand shower shall be permitted to be located on a vertical bar provided that the mount is adjustable in height and can be located within the area specified for the fixed mount.

**06-62-21 AM ; correlation with 06-47-21 AM**

**FIGURE 608.5.4**

**STANDARD ROLL-IN-TYPE SHOWER WITH NO SEAT HAND SHOWER MOUNT LOCATION**

**REASON:** This is the proposal that separated the controls for on/off water flow, diverters and the mount for the hand held shower (with shut off valve). This same idea should be translated to the new configurations. Alternate shower compartment with moveable seats in 06-61-2021.

**Committee Action for Ballot Comment 1:**

**REPORT OF HEARING:**

**Modification (if any):**

**Committee Reason:**

**06-47 Paarlberg.doc**

**Committee Action for First Ballot:**

**REPORT OF HEARING:**

**Modification (if any):**

**Committee Reason:**

<b>Report for 06-47- 2021</b>		
<b>Committee decision: AM</b>	<b>Committee Vote at Meeting: 26-0-1</b>	<b>Committee Vote on Ballot:39-1-1</b>
<b>REPORT OF HEARING:</b> Modification (if any): See the replacement proposal above.		
<b>607.5 Controls.</b> Controls other than drain stoppers, The operable parts for the on/off water flow, temperature and diverter controls shall be provided on an end wall, located between the bathtub rim and grab bar, and between the open side of the bathtub and the centerline of the width of the bathtub. Such controls shall comply with Section 309.4.		
<b>607.6 Hand shower.</b> A hand shower with a hose 59 inches (1500 mm) minimum in length, that can be used as both a fixed shower head and as a hand shower, shall be provided. The hand shower shall have a control with a nonpositive shut-off feature. A fixed shower head, in addition to the hand shower shall be permitted. <u>Exception:</u> In other than Accessible units and Type A units, a fixed shower head located 48 inches (1220 mm) maximum above the shower floor shall be permitted in lieu of a hand shower.		
A mount to hold the hand shower shall be provided and located on the control wall at a height of 38 inches (965 mm) minimum and 48 inches (1220 mm) maximum above the tub floor. Where provided, an adjustable height hand shower mounted on a vertical bar shall be installed so as to not obstruct the use of grab bars. <u>Exception:</u> The mount to hold the hand shower shall be permitted to be located on a vertical bar provided that the mount is adjustable in height and the mount can be located within the area specified for the fixed mount.		
<b>608.4 Controls and hand showers.</b> The operable parts for the on/off water flow, temperature and diverter Controls and hand showers shall comply with Section 309.4 and Sections 608.4.1, 608.4.2 or 608.4.3 as applicable and 309.4.		
<b>608.4.1 Controls in Transfer-type showers.</b> In transfer-type showers, the operable parts for the on/off water flow, temperature and diverter controls and hand shower shall be located in accordance with all of the following:		

## Report for 06-47-2021

1. On the control wall opposite the seat.
2. At a height of 38 inches (965 mm) minimum and 48 inches (1220 mm) maximum above the shower floor, and
3. 15 inches (380 mm) maximum, from the centerline of the control wall toward the shower opening.

### FIGURE 608.4.1 TRANSFER-TYPE SHOWER CONTROLS AND HAND SHOWER LOCATION

**608.4.2 Controls in Standard roll-in showers.** In standard roll-in showers, the operable parts for the on/off water flow, temperature and diverter controls and hand shower shall not be located above the seat. Controls and hand showers shall be located in accordance with all of according to the following:

1. On the back wall,
2. At a height of 38 inches (965 mm) minimum and 48 inches (1220 mm) maximum above the shower floor and
3. 16 inches (405 mm) minimum and 27 inches (685 mm) maximum from the wall behind the seat.

### FIGURE 608.4.2 STANDARD ROLL-IN-TYPE SHOWER CONTROLS AND HAND SHOWER LOCATION

**608.4.3 Controls in Alternate roll-in showers.** In alternate roll-in showers, the operable parts for the on/off water flow, temperature and diverter controls and hand shower shall be located in accordance with the following:

1. At a height of 38 inches (965 mm) minimum and 48 inches (1220 mm) maximum above the shower floor, and
2. Where the controls and hand shower are located on the end wall adjacent to the seat, the controls and hand shower shall be 16 inches (405 mm) minimum and 27 inches (685 mm) maximum from the wall behind the seat wall, or
3. Where the controls and hand shower are located on the back wall opposite the seat, the controls and hand shower shall be located within 15 inches (380 mm) maximum from the centerline of the seat toward the transfer space.

### FIGURE 608.4.3(A) ALTERNATE ROLL-IN-TYPE SHOWER CONTROLS AND HAND SHOWER LOCATION - END WALL - ELEVATION

### FIGURE 608.4.3(B) ALTERNATE ROLL-IN-TYPE SHOWER CONTROLS AND HAND SHOWER LOCATION - CONTROL WALL - ELEVATION

**608.5 Hand showers.** A hand shower with a hose 59 inches (1500 mm) minimum in length, that can be used both as a fixed shower head and as a hand shower, shall be provided. The hand shower shall have a control with a nonpositive shut-off feature. A fixed shower head, in addition to the hand shower shall be permitted.

**Exception:** In other than Accessible units and Type A units, a fixed shower head located 48 inches (1220 mm) maximum above the shower floor shall be permitted in lieu of a hand shower.

A means mount to hold the hand shower wand while in the on or off position shall be provided and located in accordance with Sections 608.5.1, 608.5.2 or 608.5.3 as applicable, at a height of 38 inches (965 mm) minimum and 48 inches (1220 mm) maximum above the shower finish floor. Where provided, an adjustable height hand shower mounted on a vertical bar shall be installed so as to not obstruct the use of grab bars.

**608.5.1 Hand Showers mounts in Transfer-type showers.** In transfer-type showers, the mount to hold the hand shower shall be located in accordance with to the following:

1. At a height of 38 inches (965 mm) minimum and 48 inches (1220 mm) maximum above the shower floor.
2. Where the mount is located on the back wall, the mount shall be 16 inches (405 mm) minimum and 27 inches (685 mm) maximum from the wall behind the seat.
3. Where the mount is located on the control wall opposite the seat, the mount shall be located within 15 inches (380 mm) maximum from the centerline of the seat.

**Exception:** The mount to hold the hand shower shall be permitted to be located on a vertical bar provided that the mount is adjustable in height and can be located within the area specified for the fixed mount.

### FIGURE 608.5.1 TRANSFER-TYPE SHOWER HAND SHOWER MOUNT LOCATION

**608.5.2 Hand Showers mounts in Standard roll-in showers.** In standard roll-in showers, the mount to hold the hand shower shall be located in accordance with to the following:

1. At a height of 38 inches (965 mm) minimum and 48 inches (1220 mm) maximum above the shower floor.
2. Located on the back wall 16 inches (405 mm) minimum and 27 inches (685 mm) maximum from the wall behind the seat.

**Exception:** The mount to hold the hand shower shall be permitted to be located on a vertical bar provided that the mount is adjustable in height and can be located within the area specified for the fixed mount.

### FIGURE 608.4.2 STANDARD ROLL-IN-TYPE SHOWER HAND SHOWER MOUNT LOCATION

**608.5.3 Hand Showers mounts in Alternate roll-in showers.** In alternate roll-in showers, the mount to hold the hand shower shall be located in accordance with to the following:

1. At a height of 38 inches (965 mm) minimum and 48 inches (1220 mm) maximum above the shower floor.
2. Where the mount is located on the end wall adjacent to the seat, the mount shall be 16 inches (405 mm) minimum and 27 inches (685 mm) maximum from the wall behind the seat.
3. Where the mount is located on the back wall opposite the seat, the mount shall be located within 15 inches (380 mm) maximum from the centerline of the seat.

- a. **Exception:** The mount to hold the hand shower shall be permitted to be located on a vertical bar provided that the mount is adjustable in height and can be located within the area specified for the fixed mount.

### FIGURE 608.4.3(C) ALTERNATE ROLL-IN-TYPE SHOWER HAND SHOWER MOUNT LOCATION - END WALL - ELEVATION

### FIGURE 608.4.3(D) ALTERNATE ROLL-IN-TYPE SHOWER HAND SHOWER MOUNT LOCATION - CONTROL WALL - ELEVATION

Committee Reason: The committee agreed that this modification will address issues in items 06-47, 06-48, 06-49, 06-51, 06-52, 06-66, 06-68. This proposal will coordinate the requirements and terminology for controls and hand showers across tubs and showers. The revision for which controls are expected within the specified area, and that the operable parts of those controls need to be within this area is a good clarification. The proposal clarifies that a fixed shower head in addition to the hand shower is permitted. The committee felt that requirements for a hand shower mount was always intended, and the revisions clarify that the mount for the hand shower is within reach of the seat. The allowance for

## Report for 06-47-2021

an adjustable mount on a vertical grab bar is clarified with the relocation to the exception, the rewording and the added text in Section 609.3 Exception 1.

### BALLOT COMMENT 1- FIRST DRAFT:

Proponent: *Kimberly Paarlberg, ICC*

Desired Action: Affirmative with comment

Modification:

Further modify as shown in red:

**06-47-21 AM need coordination with 06-61-21 AM**

**608.4 Controls and hand showers.** The operable parts for the on/off water flow, temperature and diverter Controls and hand showers shall comply with Section 309.4 and Sections 608.4 608.4.1, 608.4.2, **608.4.2 608.4.3** or **608.4.3 608.4.4** as applicable and 309.4.

**06-47-21 AM; 06-67-21 AM correlation with spit of hand showers and controls – only change to allow area for controls under grab bar and no change for hand showers from 06-67-21 AM**

**608.4.1 Controls in Transfer-type showers.** In transfer-type showers, the operable parts for the on/off water flow, temperature and diverter controls and hand shower shall be located in accordance with all of the following:

1. On the control wall opposite the seat.

**2. Hand showers can be located at** At a height of **27 inches (686 mm) 38 inches (965 mm)** minimum and 48 inches (1220 mm) maximum above the shower floor ~~and~~

**2. Controls can be located at a height of 27 inches (686 mm) minimum and 48 inches (1220 mm) maximum above the shower floor, and**

**3.** 15 inches (380 mm) maximum, from the centerline of the control wall toward the shower opening.

**06-47-21 AM 06-67-21 AM correlation with spit of hand showers and controls – only change to allow area for controls under grab bar and no change for hand showers from 06-67-21 AM**

Figure 608.4.1

TRANSFER-TYPE SHOWER CONTROLS AND HAND SHOWER LOCATION

Note: add location for controls below grab bar on figure.

**06-61-21 AM correlation with 06-47-21 AM; coordination needed with 06-67-21 AM**

**608.4.2 Controls in Alternate transfer-type showers.** In alternate transfer-type showers, the operable parts for the on/off water flow, temperature and diverter controls and hand shower shall be located in accordance with the following:

1. On the control wall opposite the seat.

**2. At a height of 15 inches (381 mm) 27 inches (686 mm) minimum and 48 inches (1220 mm) maximum above the shower floor, and**

**3.** 15 inches (380 mm) maximum, from the centerline of the control wall toward the shower opening.

**06-61-21 AM add figure for consistency with other options**

Figure 608.4.2

ALTERNATE TRANSFER-TYPE SHOWER CONTROLS LOCATION

**06-47-21 AM; 06-62-21 AM**

**608.4.2 608.4.3 Controls in Standard roll-in showers with seats.** In standard roll-in showers with seats, the operable parts for the on/off water flow, temperature and diverter controls and hand shower shall not be located above the seat. Controls and hand showers shall be located in accordance with all of according to the following:

1. On the back wall, ~~and~~

2. At a height of 38 inches (965 mm) minimum and 48 inches (1220 mm) maximum above the shower floor and

3. 16 inches (405 mm) minimum and 27 inches (685 mm) maximum from the wall behind the seat.

**06-47-21 AM; 06-62-21 AM**

Figure 608.4.2 608.4.3

STANDARD ROLL-IN-TYPE SHOWER WITH SEAT CONTROLS AND HAND SHOWER LOCATION

**06-62-21 AM ; correlation with 06-47-21 AM**

**608.4.3 608.4.4 Controls in Standard roll-in showers with no seat.** In standard roll-in showers with no seat, the operable parts for the on/off water flow, temperature and diverter controls and hand showers shall be located according to in accordance with the following:

1. On the back wall or side walls.

**2.** At a height of 38 inches (965 mm) minimum and 48 inches (1220 mm) maximum above the shower floor.

**06-62-21 AM ; correlation with 06-47-21 AM**

FIGURE 608.4.3

STANDARD ROLL-IN-TYPE SHOWER WITH NO SEAT CONTROLS AND HAND SHOWER LOCATION

**06-47-21 AM; 06-67-21 AM correlation with spit of hand showers and controls – only change to allow area for controls under grab bar across from seat and no change for hand showers from 06-67-21 AM**

**608.4.3 608.4.5 Controls in Alternate roll-in showers.** In alternate roll-in showers, the operable parts for the on/off water flow, temperature and diverter controls and hand shower shall be located in accordance with one of the following:

**1.** At a height of 38 inches (965 mm) minimum and 48 inches (1220 mm) maximum above the shower floor, and

**1.2.** Where the controls and hand shower are located on the end wall adjacent to the seat, the controls and hand shower shall be located:

**1.1.** At a height of 38 inches (965 mm) minimum and 48 inches (1220 mm) maximum above the shower floor

**1.2** 16 inches (405 mm) minimum and 27 inches (685 mm) maximum from the wall behind the seat wall ~~or~~

**2.3.** Where the controls and hand shower are located on the back wall opposite the seat, the controls shall be located:

## Report for 06-47- 2021

2.1. Hand showers can be located at a height of 38 inches (965 mm) minimum and 48 inches (1220 mm) maximum above the shower floor.

2.2. Controls can be located at a height of 27 inches (686 mm) minimum and 48 inches (1220 mm) maximum above the shower floor.  
and

2.3. 2.2 the controls and hand shower shall be located within 15 inches (380 mm) maximum from the centerline of the seat toward the transfer space.

### 06-47-21 AM

#### Figure 1 (A)

ALTERNATE ROLL-IN-TYPE SHOWER CONTROLS AND HAND SHOWER LOCATION – SIDE WALL – ELEVATION

**06-47-21 AM 06-67-21 AM correlation with spit of hand showers and controls – only change to allow area for controls under grab bar across from seat and no change for hand showers from 06-67-21 AM**

#### Figure 1 (B)

ALTERNATE ROLL-IN-TYPE SHOWER CONTROLS AND HAND SHOWER LOCATION – BACK WALL – ELEVATION

Note: add location for controls below grab bar on figure.

### 06-47-21 AM; 06-53-21 AM; 06-69-21 AM

**608.5 Hand showers.** A hand shower with a hose 59 inches (1500 mm) minimum in length, that can be used both as a fixed shower head and as a hand shower, shall be provided. The hand shower shall have a control with a nonpositive shut-off feature. A fixed shower head, in addition to the hand shower shall be permitted.

#### Exception Exceptions:

3. In other than Accessible units and Type A units, a fixed shower head located 48 inches (1220 mm) maximum above the shower floor shall be permitted in lieu of a hand shower.
4. In Accessible units, a fixed shower head located at not greater than 48 inches (1220 mm) above the tub floor shall be permitted in lieu of a hand shower where toilet or bathing room is specially designed without protrusions for purposes of suicide prevention.

A means mount to hold the hand shower wand while in the on or off position shall be provided and located in accordance with Sections 608.5.1, 608.5.2 or 608.5.3 as applicable, at a height of 38 inches (965 mm) minimum and 48 inches (1220 mm) maximum above the shower finish floor. Where provided, an adjustable height hand shower mounted on a vertical bar shall be installed so as to not obstruct the use of grab bars.

**06-47-21 AM; 06-67-21 AM correlation with spit of hand showers and controls – only change to allow area for controls under grab bar and no change for hand showers from 06-67-21 AM**

**608.5.1 Hand Showers mounts in Transfer-type showers.** In transfer-type showers, the mount to hold the hand shower shall be located in accordance with the following:

2. At a height of 38 inches (965 mm) minimum and 48 inches (1220 mm) maximum above the shower floor.
2. Where the mount is located on the back wall, the mount shall be 16 inches (405 mm) minimum and 27 inches (685 mm) maximum from the wall behind the seat.
3. Where the mount is located on the control wall opposite the seat, the mount shall be located within 15 inches (380 mm) maximum from the centerline of the seat.

Exception: The mount to hold the hand shower shall be permitted to be located on a vertical bar provided that the mount is adjustable in height and can be located within the area specified for the fixed mount.

### 06-47-21 AM

#### FIGURE 608.5.1

#### TRANSFER-TYPE SHOWER HAND SHOWER MOUNT LOCATION

**06-61-21 AM correlation with 06-47-21 AM and heights in 06-67-21 AM**

608.5.2 Hand shower mounts in alternate transfer-type showers. In alternate transfer-type showers, the mount to hold the hand shower shall be located in accordance with the following:

1. On the control wall opposite the seat.
2. At a height of 38 inches (965 mm) minimum and 48 inches (1220 mm) maximum above the shower floor.
3. The mount shall be located within 15 inches (380 mm) maximum from the centerline of the seat.

Exception: The mount to hold the hand shower shall be permitted to be located on a vertical bar provided that the mount is adjustable in height and can be located within the area specified for the fixed mount.

**06-61-21 AM correlation with 06-47-21 AM and heights in 06-67-21 AM**

#### FIGURE 608.5.2

#### ALTERNATE TRANSFER-TYPE SHOWER HAND SHOWER MOUNT LOCATION

**06-47-21 AM; correlation with 06-62-21 AM**

**608.5.2 608.5.3 Hand showers mounts in standard roll-in showers with seats.** In standard roll-in showers with seats, the mount to hold the hand shower shall be located in accordance with the following:

3. At a height of 38 inches (965 mm) minimum and 48 inches (1220 mm) maximum above the shower floor.
4. Located on the back wall 16 inches (405 mm) minimum and 27 inches (685 mm) maximum from the wall behind the seat.

Exception: The mount to hold the hand shower shall be permitted to be located on a vertical bar provided that the mount is adjustable in height and can be located within the area specified for the fixed mount.

**06-47-21 AM ; correlation with 06-62-21 AM**

#### FIGURE 608.5.2 608.5.3

#### STANDARD ROLL-IN-TYPE SHOWER WITH SEATS HAND SHOWER MOUNT LOCATION



**Report for 06-47– 2021**

**06-62-21 AM ; correlation with 06-47-21 AM**

**608.5.4 Hand shower mounts in standard roll-in showers with no seat.** In standard roll-in showers with no seats, the mount to hold the hand shower shall be located in accordance with to the following:

1. On the back wall or side walls.
2. At a height of 38 inches (965 mm) minimum and 48 inches (1220 mm) maximum above the shower floor.

**Exception:** The mount to hold the hand shower shall be permitted to be located on a vertical bar provided that the mount is adjustable in height and can be located within the area specified for the fixed mount.

**06-62-21 AM ; correlation with 06-47-21 AM**

**FIGURE 608.5.4  
STANDARD ROLL-IN-TYPE SHOWER WITH NO SEAT HAND SHOWER MOUNT LOCATION**

Reason: This is the proposal that separated the controls for on/off water flow, diverters and the mount for the hand held shower (with shut off valve). This same idea should be translated to the new configurations. Alternate shower compartment with moveable seats in 06-61-2021

**Committee decision: AS/AM/D**

**Committee Vote at Meeting:**

**Committee Vote on Ballot:**

**REPORT OF HEARING – FIRST DRAFT**

Modification (if any):

Committee Reason:

**BALLOT COMMENT- SECOND DRAFT:**

Proponent:

Desired Action:

Modification:

Reason:

**Committee decision: AS/AM/D**

**Committee Vote at Meeting:**

**Committee Vote on Ballot:**

**FINAL ACTION:**

Modification (if any):

Committee Reason:

## 06-53 – 2021 overview

Proposal number	Proponent	Standard Sections	Committee Actions	Mtg. Date	Notes; Groups; groupings
06-53	Paarlberg	607.6, 608.5	AM 21-2-2	10-20-22	Bathing related

Comment	Proponent	Requested Action	Committee Action	Mtg. Date	Notes; Groups; groupings
BC1	Pace, HUD	Affirmative			
<b>PC1</b>	Mazz, USA	AM			

BC= Ballot Comment, PC= Public comment, **Bold Comment number** is proposed revision below

## 06-53 – 2021 607.6, 608.5

**Proponent:** Kimberly Paarlberg, International Code Council

**Revise as follows:**

### SECTION 607 BATHTUBS

**607.6 Hand shower.** A hand shower with a hose 59 inches (1500 mm) minimum in length, that can be used as both a fixed shower head and as a hand shower, shall be provided. The hand shower shall have a control with a nonpositive shutoff feature. Where provided, an adjustable-height hand shower mounted on a vertical bar shall be installed so as to not obstruct the use of grab bars.

**Exceptions:**

1. In other than Accessible units and Type A units, a fixed shower head located not greater than 48 inches (1220 mm) above the bottom of the bathtub shall be permitted in lieu of a hand shower.
2. In Accessible units, a fixed shower head located at not greater than 48 inches (1220 mm) above the tub floor shall be permitted in lieu of a hand shower where the clinical needs of a person receiving care or security concerns would consider the shower hose a safety hazard.

### SECTION 608 SHOWER COMPARTMENT

**608.5 Hand showers.** A hand shower with a hose 59 inches (1500 mm) minimum in length, that can be used both as a fixed shower head and as a hand shower, shall be provided. The hand shower shall have a control with a nonpositive shutoff feature. Where provided, an adjustable-height hand shower mounted on a vertical bar shall be installed so as to not obstruct the use of grab bars. A means to hold the hand shower ~~wand~~ while in the on or off position shall be located at a height of 38 inches (965 mm) minimum and 48 inches (1220 mm) maximum above the shower finish floor.

**Exception Exceptions:**

1. In other than Accessible units and Type A units, a fixed shower head located not greater than 48 inches (1220 mm) ~~maximum~~ above the shower floor shall be permitted in lieu of a hand shower.

2. In Accessible units, a fixed shower head located at not greater than 48 inches (1220 mm) above the tub floor shall be permitted in lieu of a hand shower where the clinical needs of a person receiving care or security concerns would consider the shower hose a safety hazard.
- 

**REASON:** This proposal has two points.

The first exception in 607.5 is intended to be consistent between the current exception in 608.5. The fixed head should be an option in tubs or showers.

The second exception in 607.5 and 608.5 is in consideration of suicide prevention and security concerns in some hospitals and jails (which require Accessible units). I found several studies indicating that suicides are the number one cause of deaths in jails. In addition, there is a concern that the hose could be ripped out of the wall and used as some kind of weapon.

---

## **06-53 – 2021 Modification**

### **607.6, 608.5**

**Proponent:** Marsha Mazz, United Spinal Assoc.

**Further revise as follows:**

#### **SECTION 607 BATHTUBS**

**607.6 Hand shower.** A hand shower with a hose 59 inches (1500 mm) minimum in length, that can be used as both a fixed shower head and as a hand shower, shall be provided. The hand shower shall have a control with a nonpositive shutoff feature. Where provided, an adjustable-height hand shower mounted on a vertical bar shall be installed so as to not obstruct the use of grab bars.

**Exceptions:**

1. In other than Accessible units and Type A units, a fixed shower head located not greater than 48 inches (1220 mm) above the bottom of the bathtub shall be permitted in lieu of a hand shower.
2. In Accessible units, a fixed shower head located at not greater than 48 inches (1220 mm) above the tub floor shall be permitted in lieu of a hand shower where the ~~clinical needs of a person receiving care or security concerns would consider the shower hose a safety hazard~~ toilet or bathing room is specially designed without protrusions for purposes of suicide prevention.

#### **SECTION 608 SHOWER COMPARTMENT**

**608.5 Hand showers.** A hand shower with a hose 59 inches (1500 mm) minimum in length, that can be used both as a fixed shower head and as a hand shower, shall be provided. The hand shower shall have a control with a nonpositive shutoff feature. Where provided, an adjustable-height hand shower mounted on a vertical bar shall be installed so as to not obstruct the use of grab bars. A means to hold the hand shower ~~wand~~ while in the on or off position shall be located at a height of 38 inches (965 mm) minimum and 48 inches (1220 mm) maximum above the shower finish floor.

**Exceptions:**

1. In other than Accessible units and Type A units, a fixed shower head located not greater than 48 inches (1220 mm) above the shower floor shall be permitted in lieu of a hand shower.

2. In Accessible units, a fixed shower head located at not greater than 48 inches (1220 mm) above the tub floor shall be permitted in lieu of a hand shower where the ~~clinical needs of a person receiving care or security concerns would consider the shower hose a safety hazard~~ toilet or bathing room is specially designed without protrusions for purposes of suicide prevention.

---

Reason: Proposed Exception 2 requires the enforcing authority to “know” when a specific person’s “clinical needs” warrant concern regarding potential suicide. Not only is there no way for a code official to make this determination, but it is also unlikely that the prospective occupant of the unit will be: (1) known at the time of construction, and (2) a permanent resident, thereby necessitating reevaluation when the occupant changes. Further, Accessible units are scoped for both transient lodging and institutional occupancies. I don’t think we can assume that every occupant of an Accessible space has “clinical needs”.

Unlike proposed Exception 2, the modification provides visible and unambiguous criteria for determining where the exception for suicide concerns applies using language from a current exception in the Standard that addresses the same concern related to grab bars, Exception 2 to § 604, which is based on Exception 3 to § 604.5 of the 2010 ADA Standards.

We have NOT included the portion of the exception meant to address “security concerns” because we are not convinced that these are significant issues in transient lodging and institutional occupancies. Furthermore, an Exception in the 2010 ADA Standards to §608.6 allows a fixed shower head in all bathing facilities EXCEPT: “medical care facilities, long-term care facilities, transient lodging guest rooms, or residential dwelling units”. Consequently, the proposed exception applied to Accessible units would directly conflict with the ADA Standards and, in practicality, could not be used.

## **BACKGROUND INFORMATION:**

### **2017 ICC A117.1**

**604.5 Grab bars.** Grab bars for water closets shall comply with Section 609 and shall be provided in accordance with Sections 604.5.1 and 604.5.2. Grab bars shall be provided on the rear wall and on the side wall closest to the water closet.

**Exceptions: 1.** Grab bars shall not be required to be installed in a toilet room for a single occupant, accessed only through a private office and not for common use or public use, provided reinforcement has been installed in walls and located so as to permit the installation of grab bars complying with Section 604.5.

**2.** In detention or correction facilities, grab bars shall not be required to be installed in housing or holding cells or rooms that are specially designed without protrusions for purposes of suicide prevention.

### **2010 ADA Standards**

#### **608.6 Shower Spray Unit and Water**

A shower spray unit with a hose 59 inches (1500 mm) long minimum that can be used both as a fixed-position shower head and as a hand-held shower shall be provided. The shower spray unit shall have an on/off control with a non-positive shut-off. If an adjustable-height shower head on a vertical bar is used, the bar shall be installed so as not to obstruct the use of grab bars. Shower spray units shall deliver water that is 120°F (49°C) maximum.

**EXCEPTION:** A fixed shower head located at 48 inches (1220 mm) maximum above the shower finish floor shall be permitted instead of a hand-held spray unit in facilities that are not medical care facilities, long-term care facilities, transient lodging guest rooms, or residential dwelling units.

---

Committee Action: Approval as Modified 21-2-2

## REPORT OF HEARING:

**Modification (if any):** Per the modification indicated above.

Further modify as follows:

### SECTION 607 BATHTUBS

**607.6 Hand shower.** A hand shower with a hose 59 inches (1500 mm) minimum in length, that can be used as both a fixed shower head and as a hand shower, shall be provided. The hand shower shall have a control with a nonpositive shutoff feature. Where provided, an adjustable-height hand shower mounted on a vertical bar shall be installed so as to not obstruct the use of grab bars.

**Exceptions:**

3. In other than Accessible units and Type A units, a fixed shower head located not greater than 48 inches (1220 mm) above the bottom of the bathtub shall be permitted in lieu of a hand shower.
4. In Accessible units, a fixed shower head located at not greater than 48 inches (1220 mm) above the tub floor shall be permitted in lieu of a hand shower where the ~~clinical needs of a person receiving care or security concerns would consider the shower hose a safety hazard~~ toilet or bathing room is specially designed without protrusions for purposes of suicide prevention.

### SECTION 608 SHOWER COMPARTMENT

**608.5 Hand showers.** A hand shower with a hose 59 inches (1500 mm) minimum in length, that can be used both as a fixed shower head and as a hand shower, shall be provided. The hand shower shall have a control with a nonpositive shutoff feature. Where provided, an adjustable-height hand shower mounted on a vertical bar shall be installed so as to not obstruct the use of grab bars. A means to hold the hand shower ~~wand~~ while in the on or off position shall be located at a height of 38 inches (965 mm) minimum and 48 inches (1220 mm) maximum above the shower finish floor.

**Exceptions:**

3. In other than Accessible units and Type A units, a fixed shower head located not greater than 48 inches (1220 mm) above the shower floor shall be permitted in lieu of a hand shower.
4. In Accessible units, a fixed shower head located at not greater than 48 inches (1220 mm) above the tub floor shall be permitted in lieu of a hand shower where the ~~clinical needs of a person receiving care or security concerns would consider the shower hose a safety hazard~~ toilet or bathing room is specially designed without protrusions for purposes of suicide prevention.

---

**Committee Reason:** The addition of the exception for a fixed shower head in bathtubs is coordinating with the same allowance in showers and is needed to address locations where the chance of vandalism is high. This may need to be coordinated with the allowance for seats on the head wall in the replacement to 06-45.

The new exception for locations where there may be concerns for resident safety is needed in areas such as psych wards or dementia wards in hospitals and suicide watch areas in jails. The modification was for consistency with the terminology used in Section 604.5.

607.6 THOMPSON.doc

---

## 06-53 – 2021 Ballot Comments

### BALLOT COMMENT 1- FIRST DRAFT:

Proponent: *Rex Pace, HUD*

Desired Action: Affirmative with comment

Modification:

Reason: The inclusion of language for suicide prevention is a necessary and supported. However, the original proposed text more appropriately addresses the range of necessary considerations and likely scenarios. The final text does not cover all the concerns that the committee believes as such in its reason statement. Dangerous actions may be attempted by occupants under care or restraint that are not necessarily motivated by the desire to commit suicide.

## 06-53 – 2021 Public Comment 1 607.6

**Proponent:** Marsha Mazz, United Spinal Association

**Revise as follows:**

### SECTION 607 BATHTUBS

**607.6 Hand shower.** A hand shower with a hose 59 inches (1500 mm) minimum in length, that can be used as both a fixed shower head and as a hand shower, shall be provided. The hand shower shall have a control with a nonpositive shutoff feature. Where provided, an adjustable-height hand shower mounted on a vertical bar shall be installed so as to not obstruct the use of grab bars.

**Exceptions Exception:**

- ~~1. In other than Accessible units and Type A units, a fixed shower head located not greater than 48 inches (1220 mm) above the bottom of the bathtub shall be permitted in lieu of a hand shower.~~
2. In Accessible units, a fixed shower head located at not greater than 48 inches (1220 mm) above the tub floor shall be permitted in lieu of a hand shower where the toilet or bathing room is specially designed without protrusions for purposes of suicide prevention.

---

**REASON:** This exception evolved from an exception for places where vandalism is a concern to a full-out exception for non-residential facilities. If people with disabilities need a hand shower to bathe effectively, they need it no matter the location. We are not suggesting replacing the exception for vandalism because accessibility should be maintained regardless of the designer's belief that vandalism could occur.

(Staff note: This section was revised by 06-45-21 AM, 06-47-21 AM, 06-53-21 AM, 06-54-21 AM)

## Committee Action for Public Comment 1:

### REPORT OF HEARING:

Modification (if any):

Committee Reason:

06-53 Mazz.doc

## Committee Action for First Ballot:

### REPORT OF HEARING:

Modification (if any):

Committee Reason:

Report for 06-53– 2021		
Committee decision: AM	Committee Vote at Meeting: 21-2-2	Committee Vote on Ballot:39-1-1
<b>REPORT OF HEARING:</b> Modification (if any): Further revise as follows:		
<b>SECTION 607 BATHTUBS</b>		
<b>607.6 Hand shower.</b> A hand shower with a hose 59 inches (1500 mm) minimum in length, that can be used as both a fixed shower head and as a hand shower, shall be provided. The hand shower shall have a control with a nonpositive shutoff feature. Where provided, an adjustable-height hand shower mounted on a vertical bar shall be installed so as to not obstruct the use of grab bars.		
<b>Exceptions:</b>		
1. In other than Accessible units and Type A units, a fixed shower head located not greater than 48 inches (1220 mm) above the bottom of the bathtub shall be permitted in lieu of a hand shower.		
2. In Accessible units, a fixed shower head located at not greater than 48 inches (1220 mm) above the tub floor shall be permitted in lieu of a hand shower where the <del>clinical needs of a person receiving care or security concerns would consider the shower hose a safety hazard</del> <u>toilet or bathing room is specially designed without protrusions for purposes of suicide prevention.</u>		
<b>SECTION 608 SHOWER COMPARTMENT</b>		
<b>608.5 Hand showers.</b> A hand shower with a hose 59 inches (1500 mm) minimum in length, that can be used both as a fixed shower head and as a hand shower, shall be provided. The hand shower shall have a control with a nonpositive shutoff feature. Where provided, an adjustable-height hand shower mounted on a vertical bar shall be installed so as to not obstruct the use of grab bars. A means to hold the hand shower <del>wand</del> while in the on or off position shall be located at a height of 38 inches (965 mm) minimum and 48 inches (1220 mm) maximum above the shower finish floor.		
<b>Exceptions:</b>		
1. In other than Accessible units and Type A units, a fixed shower head located not greater than 48inches (1220 mm) above the shower floor shall be permitted in lieu of a hand shower.		
2. In Accessible units, a fixed shower head located at not greater than 48 inches (1220 mm) above the tub floor shall be permitted in lieu of a hand shower where the <del>clinical needs of a person receiving care or security concerns would consider the shower hose a safety hazard</del> <u>toilet or bathing room is specially designed without protrusions for purposes of suicide prevention.</u>		
Committee Reason: The addition of the exception for a fixed shower head in bathtubs is coordinating with the same allowance in showers and is needed to address locations where the chance of vandalism is high. This may need to be coordinated with the allowance for seats on the head wall in the replacement to 06-45. The new exception for locations were there may be concerns for resident safety is needed in areas such as psych wards or dementia wards in hospitals and suicide watch areas in jails. The modification was for consistency with the terminology used in Section 604.5.		
<b>BALLOT COMMENT 1- FIRST DRAFT:</b>		
Proponent: <i>Rex Pace, HUD</i>		
Desired Action: Affirmative with comment		
Modification:		
Reason: The inclusion of language for suicide prevention is a necessary and supported. However, the original proposed text more appropriately addresses the range of necessary considerations and likely scenarios. The final text does not cover all the concerns that the committee believes as such in its reason statement. Dangerous actions may be attempted by occupants under care or restraint that are not necessarily motivated by the desire to commit suicide.		
Committee decision: AS/AM/D	Committee Vote at Meeting:	Committee Vote on Ballot:

**Report for 06-53– 2021**

**REPORT OF HEARING – FIRST DRAFT**

Modification (if any):

Committee Reason:

**BALLOT COMMENT- SECOND DRAFT:**

Proponent:

Desired Action:

Modification:

Reason:

**Committee decision: AS/AM/D**

**Committee Vote at Meeting:**

**Committee Vote on Ballot:**

**FINAL ACTION:**

Modification (if any):

Committee Reason:



## 06-54 – 2021 overview

Proposal number	Proponent	Standard Sections	Committee Actions	Mtg. Date	Notes; Groups; groupings
06-54	Reed	607.6	AS 20-13-0 D 20-3-0	10-20-22	Bathing related – Divide question 2 <sup>nd</sup> and new sentence

Comment	Proponent	Requested Action	Committee Action	Mtg. Date	Notes; Groups; groupings
BC1	Anderson, AHLA	Negative			
BC2	Thompson, PMI	Negative			

BC= Ballot Comment, PC= Public comment, **Bold Comment number** is proposed revision below

## 06-54 – 2021

### 607.6

**Proponent:** Hope Reed, ADA Accessibility Consultant, representing self

**Revise as follows:**

#### SECTION 607 BATHTUBS

**607.6 Hand shower.** A hand shower with a hose 59 inches (1500mm) minimum in length, that can be used both as a fixed shower head and as a hand shower, shall be provided. The hand shower shall have a control with a nonpositive shut-off feature that complies with Section 309.4. Where provided, an adjustable-height hand shower mounted on a vertical bar shall be installed so as to not obstruct the use of grab bars. The hand shower wand shall be configured to allow adjustment of the water spray direction and limit rotation during use.

**REASON:** The hose for hand shower wands is usually twisted and when water pressure comes on it becomes even more twisted. When the spray wand is attached to a vertical bar and water is turned, it may rotate even further within the mounting. Often the spray wand ends up spraying in only one direction from its attachment. A person with disabilities who stands while showering may have to hover in the back corner and get only a small, small portion of the spray, or they may have to stand where they can block the water from spraying out into the room. A holder and handle need to fit without allowing rotation. *See alternate proposal we provided with 607.6(b).*

Committee Action: The proposal was split between the revisions to the 2<sup>nd</sup> and the new 4<sup>th</sup> sentence.

Part 1 – Revision to 2<sup>nd</sup> sentence – AS 11-9-1

Part 2 – Addition of 4<sup>th</sup> sentence – D 20-3-0

#### REPORT OF HEARING:

**Modification (if any):**

**Replace with the following:**

**607.6 Hand shower.** A hand shower with a hose 59 inches (1500mm) minimum in length, that can be used both as a fixed shower head and as a hand shower, shall be provided. The hand shower shall have a control with a nonpositive shut-off feature that complies with Section 309.4. Where provided, an adjustable-height hand shower mounted on a vertical bar shall be installed so as to not obstruct the use of grab bars.

**Committee Reason:** The committee felt that it was appropriate to ask for a non-positive shut off valve to meet Section 309.4 instead of all of Section 309 since the shower head is intended to be hand held and not fixed. There was a discussion about if specific provisions over ride general requirements or not. The intent is that the more specific provisions would override the general provisions for operable parts (i.e., clear floor space, reach, and operation).

The addition of the last sentence was disapproved because the committee felt that the language was too open for interpretation and unenforceable.

**607.6(a)-REED.doc**

## **06-54 – 2021 Ballot Comments**

<b>BALLOT COMMENT 1- FIRST DRAFT:</b>
Proponent: Doug Anderson, AHLA
Desired Action: Negative with comment
Modification:
Reason: Performance standard that cannot be accurately measured or evaluated.
<b>BALLOT COMMENT 2 - FIRST DRAFT:</b>
Proponent: <i>Kyle Thompson, PMI</i>
Desired Action: Negative with comment
Modification:
Reason: Reference to Section 309.4 is not necessary. This section is applicable throughout the A117.1 document (Chapters 4 through 11). Each time a general overriding requirement is re-referenced within any standard it is redundant and dilutes from the overall application of those general requirement.

**Committee Action for First Ballot:**

**REPORT OF HEARING:**

**Modification (if any):**

**Committee Reason:**

<b>Report for 06-54– 2021</b>		
<i>Committee decision: AS &amp; D</i>	<i>Committee Vote at Meeting: 11-9-1 &amp; 20-3-0</i>	<i>Committee Vote on Ballot:38-2-1</i>
<b>REPORT OF HEARING:</b> Modification (if any): <b>Replace with the following:</b>		

**Report for 06-54– 2021**

**607.6 Hand shower.** A hand shower with a hose 59 inches (1500mm) minimum in length, that can be used both as a fixed shower head and as a hand shower, shall be provided. The hand shower shall have a control with a nonpositive shut-off feature that complies with Section 309.4. Where provided, an adjustable-height hand shower mounted on a vertical bar shall be installed so as to not obstruct the use of grab bars.

Committee Reason: The committee felt that it was appropriate to ask for a non-positive shut off valve to meet Section 309.4 instead of all of Section 309 since the shower head is intended to be hand held and not fixed. ). There was a discussion about if specific provisions over ride general requirements or not. The intent is that the more specific provisions would override the general provisions for operable parts (i.e., clear floor space, reach, and operation).  
The addition of the last sentence was disapproved because the committee felt that the language was too open for interpretation and unenforceable.

**BALLOT COMMENT 1- FIRST DRAFT:**

Proponent: Doug Anderson, AHLA

Desired Action: Negative with comment

Modification:

Reason: Performance standard that cannot be accurately measured or evaluated.

**BALLOT COMMENT 2 - FIRST DRAFT:**

Proponent: Kyle Thompson, PMI

Desired Action: Negative with comment

Modification:

Reason: Reference to Section 309.4 is not necessary. This section is applicable throughout the A117.1 document (Chapters 4 through 11). Each time a general overriding requirement is re-referenced within any standard it is redundant and dilutes from the overall application of those general requirement.

**Committee decision: AS/AM/D****Committee Vote at Meeting:****Committee Vote on Ballot:****REPORT OF HEARING – FIRST DRAFT**

Modification (if any):

Committee Reason:

**BALLOT COMMENT- SECOND DRAFT:**

Proponent:

Desired Action:

Modification:

Reason:

**Committee decision: AS/AM/D****Committee Vote at Meeting:****Committee Vote on Ballot:****FINAL ACTION:**

Modification (if any):

Committee Reason:

## 06-57 – 2021 overview

Proposal number	Proponent	Standard Sections	Committee Actions	Mtg. Date	Notes; Groups; groupings
06-57	Mazz	607.4(New )	AS 19-10-2	11-03-22	Bathing related

Comment	Proponent	Requested Action	Committee Action	Mtg. Date	Notes; Groups; groupings
BC1	Dain, AIA	Negative			

BC= Ballot Comment, PC= Public comment, **Bold Comment number** is proposed revision below

## 06-57 – 2021

### 607.4(New)

**Proponent:** Marsha Mazz, United Spinal Association

**Add new text as follows:**

### SECTION 607 BATHTUBS

**607.4 Bathtub rim.** The height of the bathtub rim shall not exceed the height of the bathtub seat required by Section 607.3.

**REASON:** The intent of this proposal is to ensure that people transferring to a bathtub set will not have to also transfer over the rim of the bathtub and down into the seat and back up over the rim. This will better protect users from injuries due to complex transfers.

Committee Action: As submitted 19-10-2

### REPORT OF HEARING:

**Modification (if any):**

**Committee Reason:** This proposal was approved because the rim of the tub should not be higher than the seat height in order to allow for smooth transfer to the seat. The committee discussed tubs where the rim height varies. This measurement should be taken at the seat location.

607.9-MAZZ.doc

## 06-57 – 2021 Ballot Comments

<b>BALLOT COMMENT 1- FIRST DRAFT:</b>
Proponent: Dan Dain, AIA
Desired Action: Negative with comment
Modification:

Reason: If it's a removable seat how can we control that? It seems this requirement for the seat height relative to the rim should be in the seat section.

**Committee Action for First Ballot:**

**REPORT OF HEARING:**

**Modification (if any):**

**Committee Reason:**

<b>Report for 06-57- 2021</b>		
<i>Committee decision: AS</i>	<i>Committee Vote at Meeting: 19-10-2</i>	<i>Committee Vote on Ballot:39-1-1</i>
<b>REPORT OF HEARING:</b>		
Modification (if any):		
Committee Reason: This proposal was approved because the rim of the tub should not be higher than the seat height in order to allow for smooth transfer to the seat. The committee discussed tubs where the rim height varies. This measurement should be taken at the seat location.		
<b>BALLOT COMMENT 1- FIRST DRAFT:</b>		
Proponent: Dan Dain, AIA		
Desired Action: Negative with comment		
Modification:		
Reason: If it's a removable seat how can we control that? It seems this requirement for the seat height relative to the rim should be in the seat section.		
<i>Committee decision: AS/AM/D</i>	<i>Committee Vote at Meeting:</i>	<i>Committee Vote on Ballot:</i>
<b>REPORT OF HEARING – FIRST DRAFT</b>		
Modification (if any):		
Committee Reason:		
<b>BALLOT COMMENT- SECOND DRAFT:</b>		
Proponent:		
Desired Action:		
Modification:		
Reason:		
<i>Committee decision: AS/AM/D</i>	<i>Committee Vote at Meeting:</i>	<i>Committee Vote on Ballot:</i>
<b>FINAL ACTION:</b>		
Modification (if any):		
Committee Reason:		

## 06-58 – 2021 overview

Proposal number	Proponent	Standard Sections	Committee Actions	Mtg. Date	Notes; Groups; groupings
06-58	Anderson – Accessible bathing	608.2.1.1, Figure 608.2.1.1	AM 26-4-2	11-03-22	Bathing related

Comment	Proponent	Requested Action	Committee Action	Mtg. Date	Notes; Groups; groupings
BC1	Dain, AIA	Affirmative			
BC2	Pace, HUD	Affirmative			
<b>BC3</b>	Paarlberg, ICC	Negative			

BC= Ballot Comment, PC= Public comment, **Bold Comment number** is proposed revision below

## 06-58 – 2021

### 608.2.1.1, Figure 608.2.1.1

**Proponent:** Doug Anderson, representing A117.1 Accessible Bathing Task Group

**Revise as follows:**

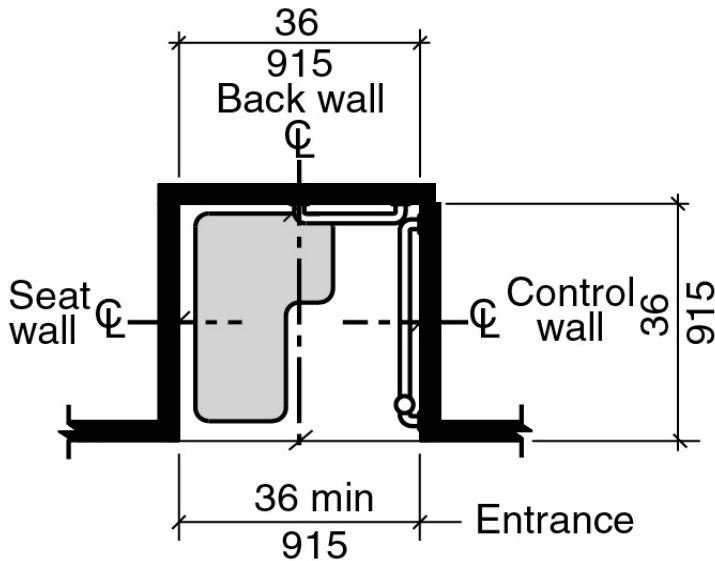
### SECTION 608 SHOWER COMPARTMENTS

**608.1 General.** Shower compartments shall comply with Section 608.

**608.2 Size, clearance and seat.** Shower compartments shall have sizes, clearances and seats complying with Section 608.2.

**608.2.1 Transfer-type shower compartments.** Transfer-type shower compartments shall comply with Section 608.2.1.

**608.2.1.1 Size.** Transfer-type shower compartments shall have a clear inside dimension of ~~36~~ 35 to 37 inches (915 ~~889-940~~ mm) in width measured at the center point of opposing sides and ~~36~~ 35 to 37 inches (915 ~~889-940~~ mm) in depth measured from the center point of ~~opposing sides~~ the rear wall to the to the outside of the threshold. An entry 36 inches (915 mm) minimum in width shall be provided.



Note: inside finished dimensions measured at the center points of opposing sides

**FIGURE 608.2.1.1  
TRANSFER-TYPE SHOWER COMPARTMENT SIZE**

*Note: Modify figure to include new dimension range.*

**REASON:** This proposal is seeking to build in construction tolerance to the transfer shower inside dimensions.

## **06-58 – 2021 Modification**

### **608.2.1.1, Figure 608.2.1.1**

**Proponent:** Scott Brady, representing Fiat and Stern-Williams

**Further modify as follows:**

### **SECTION 608 SHOWER COMPARTMENTS**

**608.1 General.** Shower compartments shall comply with Section 608.

**608.2 Size, clearance and seat.** Shower compartments shall have sizes, clearances and seats complying with Section 608.2.

**608.2.1 Transfer-type shower compartments.** Transfer-type shower compartments shall comply with Section 608.2.1.

**608.2.1.1 Size.** Transfer-type shower compartments shall have a clear inside dimension of 35 to 37 inches (889-940 mm) in width measured at the center point of opposing sides and 35 to 37 inches (889-940 mm)

in depth measured from the center point of the rear wall to the outside of the threshold. Shower compartment dimensions shall be measured at a height from 20 inches (508) minimum to 72 inches (1828 mm) maximum above the shower floor. An entry 36 inches (915 mm) minimum in width shall be provided.

Reason: I like the proposed modification to allow for 35-37 inches on the inside wall dimensions. I would like to add that this dimension apply to a certain height range – the working area inside the shower. I'm suggesting this range be from the top of the seat to a height of 6 feet.

Both Fiat and Stern-Williams make shower floors. In typical construction, tile walls sit on top of a ledge on the floor base. We make the floor base 36x36 to meet the standard, but as you move up from the floor, the walls of the base draft outward with radiused corners, then there's the ledge the wall sits on, so the distance between, centers of the walls can be 40" x 40". To keep the walls at 36"x36", we need to make the insides of the floors a little smaller. The same logic applies above the shower. Once you get above a certain height (I'm guessing 6'), the 36" x 36" working area doesn't matter. The shower may be sitting in an area that expands out another few inches above it.



**TERRAZZO WHEELCHAIR  
SHOWER RECEPTOR**

**TERRAZZO WHEELCHAIR  
SHOWER RECEPTOR**

- No threshold terrazzo wheelchair receptor with stainless steel strainer plate.
- One piece floor fabricated from precast terrazzo, made of black and white marble chips cast in white Portland cement.
- Min compressive strength of 3,000 p.s.i. after seven days of curing.
- Recessed for floor installation.
- Factory grounded and polished to remove air holes and/or excess pits grouted.
- Min shoulder of 4" high inside, 6" high outside, with a min of 1/2" wide.
- Integral tiling flange made of galvanized bonderized steel with min of 1" above shoulder.
- Stainless steel and cast integral drain provide a min caulked lead connection of 1" deep, to a 2" pipe. Quick drain connection using a QDC-4 connector can also be used.
- Complies to 2010 ADA guideline.



**Nominal Dimensions:**

- ☐ **ADATN3636** 41.23" x 38.62" (1047 x 981mm)
- ☐ **ADATN6030** 65.23" x 32.62" (1657 x 829mm)
- ☐ **ADATN6036** 65.23" x 38.62" (1657 x 981mm)

**NOTES:**

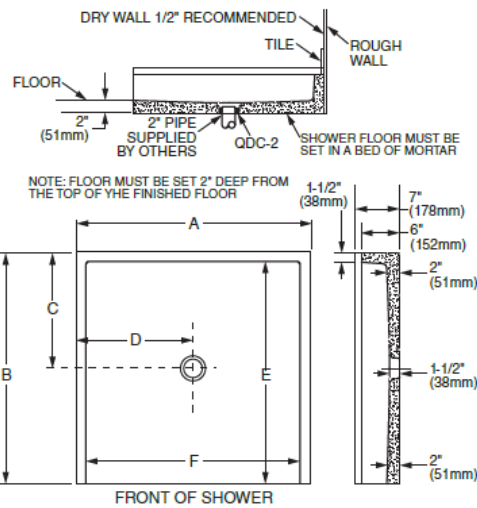
Establish 1/4" clearance between shower floor and wall. It is required that the entire area between the receptor and the building floor have a 1/2" layer of mortar in order that shower floors be level.

It is recommended that a floor drain be installed at or near the entrance of the shower.

All models comply with Americans With Disabilities Act and A117.1 handicapped standards.

**IMPORTANT:** Rough-in dimensions may vary 1/2" and are subject to change or cancellation without prior notice.

**MEETS THE AMERICANS WITH DISABILITIES ACT GUIDELINES AND ANSI A117.1 ACCESSIBLE AND USABLE BUILDINGS AND FACILITIES - CHECK LOCAL CODES.**



**OFFERED IN 081 FINISH ONLY - WHITE CEMENT W/ BLACK & WHITE CHIPS**

	OUTSIDE DIMENSIONS				MINIMUM INSIDE DIMENSIONS	
	A	B	C	D	E	F
ADATN-3636	41.23" (1047mm)	38.62" (981mm)	18.31" (465mm)	20.62" (524mm)	36" (914mm)	36" (914mm)
ADATN-6030	65.23" (1657mm)	32.62" (829mm)	15.75" (400mm)	32.62" (829mm)	30" (762mm)	60" (1542mm)
ADATN-6036	65.23" (1657mm)	38.62" (981mm)	15.75" (400mm)	32.62" (829mm)	36" (914mm)	60" (1542mm)

Arch. to confirm if finish is acceptable.

Customer Service Canada  
1-800-387-0369  
www.fiat.ca

**FIAT**  
QUALITY FOR LIFE  
Customer Service United States  
1-800-442-1902  
www.fiatproducts.com

Committee Action: Modification from Brady – failed 7-20-4; As modified 26-4-2

**REPORT OF HEARING:**

**Modification (if any):**  
**Further modify as follows:**

**608.2.1.1 Size.** Transfer-type shower compartments shall have a clear inside dimension of 35 to 37 inches (889-940 mm) in width measured at the center point of opposing sides and 35 to 37 inches (889-940 mm) in depth measured from the center point of the ~~rear back~~ wall to the to the ~~centerline outside~~ of the threshold. An entry 36 inches (915 mm) minimum in width shall be provided.

**Committee Reason:** The modification from ‘rear’ to ‘back’ is to match the terminology in the figure. The modification from ‘outside’ to ‘centerline’ was an attempt to clarify that the size is within the shower, and the width and the location of a threshold are not addressed in the standard or the plumbing codes. There was additional discussion on if the depth of the shower should be the ‘entrance’ since the threshold could be from fully inside to fully outside of the shower itself. There was concern about at what height the shower size should be measured – at the floor (where there can be a curve or side curb) or at the elevations where the size was the concern – knee height for seating and shoulder height for reach to controls and grab bars.

608.2.2.1-ANDERSON.doc

## 06-58 – 2021 Ballot Comments

### BALLOT COMMENT 1- FIRST DRAFT:

Proponent: *Daniel Dain, AIA*

Desired Action: Affirmative with comment

Modification:

Reason: “Center point” is confusing being that you mean the center point of the wall height or height of the shower - however some showers have exposed ceilings (fitness center, high school locker room) that could be 20' AFF. The threshold being the opening is understandable (where the walls turn in the figure), but the floor threshold if there is marble or some other transition material (e.g. prefab unit to floor tile) could be confusing – so, the figures will help clarify these concerns – an elevation view or 3D would be needed for center point.

### BALLOT COMMENT 2- FIRST DRAFT:

Proponent: *Rex Pace, HUD*

Desired Action: Affirmative with comment

Modification:

Reason: The proposed range is supported. However, the shower entry is still required to be 36 inches minimum wide, therefore, a secondary conflict may be possible. Given how many showers are manufactured, the effective interior width size will be much closer to 36 inches than 35 inches so this requirement, while on the whole supported, may cause some confusion. Recommend that commentary emphasize the 35-inch dimension for the shower depth to the threshold centerline from the back wall. While somewhat concerned about a centerline dimension and the variables this may entail, the proposal as a whole is still supported

### BALLOT COMMENT 3- FIRST DRAFT:

Proponent: *Kimberly Paarlberg, ICC*

Desired Action: Negative with comment

Modification: Ballot Comment 3

## 06-58 – 2021 Ballot Comment 3

### 608.2.1

**Proponent:** Kimberly Paarlberg, ICC

**Further revise as follows:**

**608.2.1.1 Size.** Transfer-type shower compartments shall have a clear inside dimension of 35 to 37 inches (889-940 mm) in width ~~measured at the center point of opposing sides~~ and 35 to 37 inches (889-940 mm) in depth ~~measured at the center point of opposing sides at a height of 36 inches from the floor from the center point of the back wall to the to the centerline of the threshold.~~ An entry 36 inches (915 mm) minimum in width shall be provided.

---

**REASON:** : I agree with the dimensional tolerances for showers, however the last phrase would have the shower measure at the floor. This is a problem for shower bases with curbs on the side or back that are higher than the threshold and for curved edges that improve cleanability. Also, the threshold may not be related to the size of the shower or the location of the seat – someone could just move the threshold out to comply – and this could reduce access. If there is no threshold, then where would the measurement be?

Example:



---

**Committee Action for Ballot Comment 3:**

**REPORT OF HEARING:**

**Modification (if any):**

**Committee Reason:**

**06-58 Paarlberg.doc**

## Committee Action for First Ballot:

### REPORT OF HEARING:

#### Modification (if any):

#### Committee Reason:

<b>Report for 06-58- 2021</b>		
<b>Committee decision: AM</b>	<b>Committee Vote at Meeting: 26-4-2</b>	<b>Committee Vote on Ballot:37-3-1</b>
<b>REPORT OF HEARING:</b> Modification (if any): <b>Further modify as follows:</b>  <b>608.2.1.1 Size.</b> Transfer-type shower compartments shall have a clear inside dimension of 35 to 37 inches (889-940 mm) in width measured at the center point of opposing sides and 35 to 37 inches (889-940 mm) in depth measured from the center point of the <del>rear back</del> wall to the to the <del>centerline outside</del> of the threshold. An entry 36 inches (915 mm) minimum in width shall be provided.		
Committee Reason: The modification from 'rear' to 'back' is to match the terminology in the figure. The modification from 'outside' to 'centerline' was an attempt to clarify that the size is within the shower, and the width and the location of a threshold are not addressed in the standard or the plumbing codes. There was additional discussion on if the depth of the shower should be the 'entrance' since the threshold could be from fully inside to fully outside of the shower itself. There was concern about at what height the shower size should be measured – at the floor (where there can be a curve or side curb) or at the elevations where the size was the concern – knee height for seating and shoulder height for reach to controls and grab bars.		
<b>BALLOT COMMENT 1- FIRST DRAFT:</b> Proponent: <i>Daniel Dain, AIA</i> Desired Action: Affirmative with comment Modification: Reason: "Center point" is confusing being that you mean the center point of the wall height or height of the shower - however some showers have exposed ceilings (fitness center, high school locker room) that could be 20' AFF. The threshold being the opening is understandable (where the walls turn in the figure), but the floor threshold if there is marble or some other transition material (e.g. prefab unit to floor tile) could be confusing – so, the figures will help clarify these concerns – an elevation view or 3D would be needed for center point.		
<b>BALLOT COMMENT 2- FIRST DRAFT:</b> Proponent: <i>Rex Pace, HUD</i> Desired Action: Affirmative with comment Modification: Reason: The proposed range is supported. However, the shower entry is still required to be 36 inches minimum wide, therefore, a secondary conflict may be possible. Given how many showers are manufactured, the effective interior width size will be much closer to 36 inches than 35 inches so this requirement, while on the whole supported, may cause some confusion. Recommend that commentary emphasize the 35-inch dimension for the shower depth to the threshold centerline from the back wall. While somewhat concerned about a centerline dimension and the variables this may entail, the proposal as a whole is still supported		
<b>BALLOT COMMENT 3- FIRST DRAFT:</b> Proponent: <i>Kimberly Paarlberg, ICC</i> Desired Action: Negative with comment Modification: <b>Further revise as follows:</b> <b>608.2.1.1 Size.</b> Transfer-type shower compartments shall have a clear inside dimension of 35 to 37 inches (889-940 mm) in width <del>measured at the center point of opposing sides</del> and 35 to 37 inches (889-940 mm) in depth <del>measured at the center point of opposing sides at a height of 36 inches from the floor from the center point of the back wall to the to the centerline of the threshold.</del> An entry 36 inches (915 mm) minimum in width shall be provided.  Reason: I agree with the dimensional tolerances for showers, however the last phrase would have the shower measure at the floor. This is a problem for shower bases with curbs on the side or back that are higher than the threshold and for curved edges that improve cleanability. Also, the threshold may not be related to the size of the shower or the location of the seat – someone could just move the threshold out to comply – and this could reduce access. If there is no threshold, then where would the measurement be?  Example:		

**Report for 06-58– 2021**



<i>Committee decision: AS/AM/D</i>	<i>Committee Vote at Meeting:</i>	<i>Committee Vote on Ballot:</i>
<b>REPORT OF HEARING – FIRST DRAFT</b>		
Modification (if any):		
Committee Reason:		
<b>BALLOT COMMENT- SECOND DRAFT:</b>		
Proponent:		
Desired Action:		
Modification:		
Reason:		
<i>Committee decision: AS/AM/D</i>	<i>Committee Vote at Meeting:</i>	<i>Committee Vote on Ballot:</i>
<b>FINAL ACTION:</b>		
Modification (if any):		
Committee Reason:		

## 06-59 – 2021 overview

Proposal number	Proponent	Standard Sections	Committee Actions	Mtg. Date	Notes; Groups; groupings
06-59	Hirsch	608.2.1.2, 608.2.1.2.1, 608.2.1.3(New), 608.4.1, Figures 608.2.1.2(A), 608.2.1.2(B), 608.2.1.2(C), 608.2.1.3(New), 608.4.1	D28-1-2	12-15-22	Bathing related – 06-40, 06-59, 11-29

Comment	Proponent	Requested Action	Committee Action	Mtg. Date	Notes; Groups; groupings
BC1	Pace, HUD	Affirmative			

BC= Ballot Comment, PC= Public comment, **Bold Comment number** is proposed revision below

## 06-59 – 2021

**608.2.1.2, 608.2.1.2.1, 608.2.1.3(New), 608.4.1, Figures 608.2.1.2(A), 608.2.1.2(B), 608.2.1.2(C), 608.2.1.3(New), 608.4.1**

**Proponent:** Thomas Hirsch, FAIA, Hirsch Group Architecture, representing self; M. Bradley Gaskins, AIA; Gina Hillberry for United Cerebral Palsy; Joe Jurkiewicz, AIA; Marsha Mazz for United Spinal Association; Edward Steinfeld, Arch.D, AIA; and Steven R. Winkel, FAIA, PE, CASp

Revise as follows:

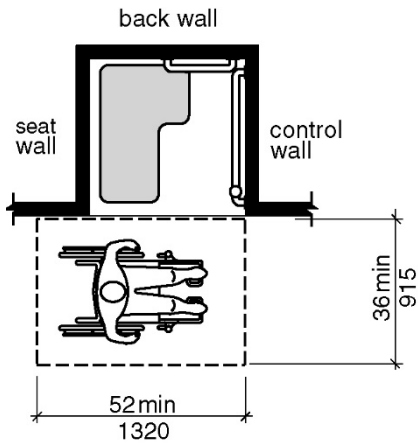
### SECTION 608 SHOWER COMPARTMENTS

#### 608.2.1.2 Transfer Clearance.

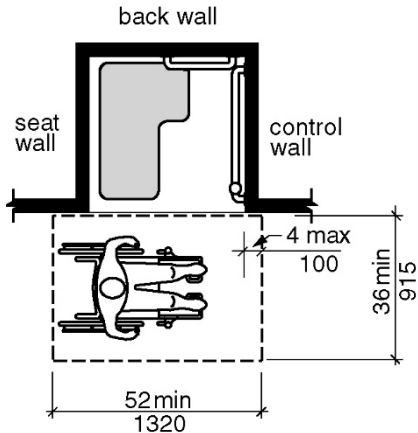
**608.2.1.2.1 New buildings and facilities.** In new buildings and facilities, a clearance of 52 inches (1320 mm) minimum in length and 36 inches (915 mm) minimum in depth shall be provided adjacent to the open face of the compartment. The length of the ~~clear floor space~~ transfer clearance shall be measured perpendicular from either the control wall or from 4 inches (100 mm) behind the control wall.

**608.2.1.2.2 Existing buildings and facilities.** In existing buildings and facilities, a clearance of 48 inches (1220 mm) minimum in length measured perpendicular from the control wall, and 36 inches (915 mm) minimum in depth shall be provided adjacent to the open face of the compartment.

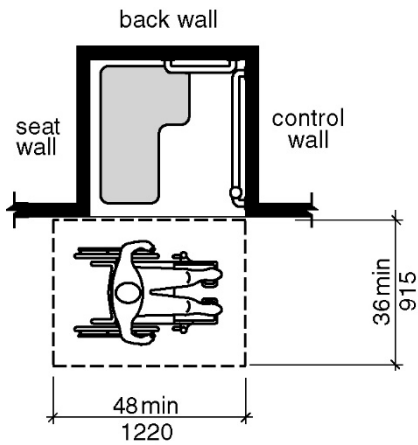
*Note: The committee will need to decide if Figures 608.2.1.2(A), 608.2.1.2(B) and 608.2.1.2(C) should be revised to show the control clearance with the transfer clearance or if the control clearance should be in a separate Figure 608.2.1.3. The figure submitted indicates the clearance moving forward, not an addition 4 inch toe clearance as the text indicates.*



**FIGURE 608.2.1.2(A)**  
**TRANSFER-TYPE SHOWER COMPARTMENT TRANSFER CLEARANCES**  
**NEW BUILDINGS –OPTION 1**

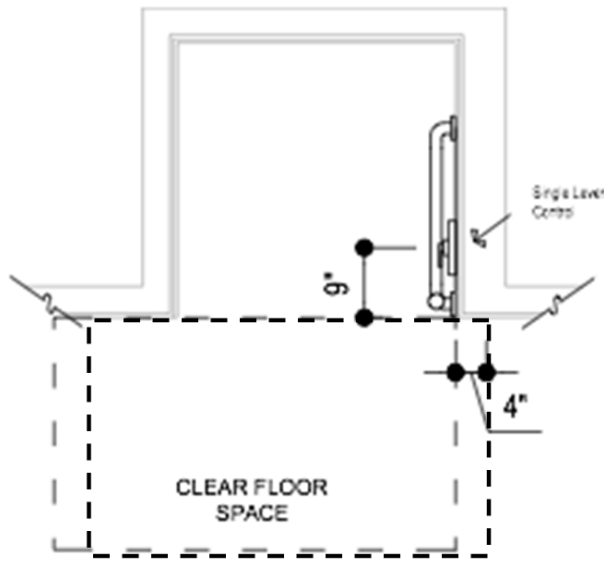


**FIGURE 608.2.1.2(B)**  
**TRANSFER-TYPE SHOWER COMPARTMENT TRANSFER CLEARANCES**  
**NEW BUILDINGS - OPTION 2**



**FIGURE 608.2.1.2(C)**  
**TRANSFER-TYPE SHOWER COMPARTMENT TRANSFER CLEARANCES**  
**EXISTING BUILDINGS**

**608.2.1.3 Control Clearance.** The clear floor space for toe clearance at the controls shall extend 4 inches (100 mm) minimum beyond the control end wall.



**FIGURE 608.2.1.3**  
**TRANSFER-TYPE SHOWER COMPARTMENT**  
**CLEARANCES FOR SHOWER CONTROLS**

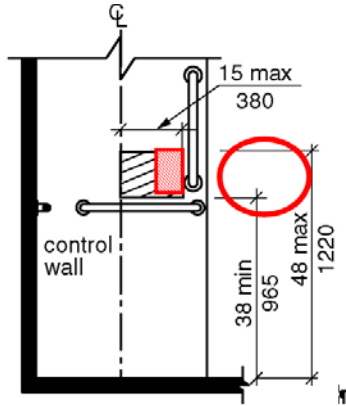
**608.4 Controls and hand showers.** Controls and hand showers shall comply with Sections 608.4 and 309.4.

**608.4.1 Transfer-type showers.** In transfer-type showers, the controls and hand shower shall be located:

1. On the control wall opposite the seat.
2. At a height of 38 inches (965 mm) minimum and 48 inches (1220 mm) maximum above the shower floor, and
3. 15 inches (380 mm) maximum, from the centerline of the control wall toward the shower opening. The centerline of controls measured from the approach side of the shower shall be located 5 inches (127 mm) minimum and 9 inches (229 mm) maximum from the clear floor space.



*Note: The area for the controls in Figure 608.4.1 would be revised to the smaller area indicated in the revised text. Figure 608.3.1(B) indicates the vertical grab bar is 4 inches maximum to the center line of the bar. Section 609.2.1 indicates the diameter of the grab bar is 1-1/4" to 2". Since the control itself is past the control center line on both sides, the committee is requested to address the question of a possible overlap of the vertical grab bar with the controls.*



**FIGURE 608.4.1  
TRANSFER-TYPE SHOWER CONTROLS AND  
HAND SHOWER LOCATION**

*Note: The references from Accessible and Type A units are shown so that the committee is clear on how this proposal will affect unit requirements.*

## **SECTION 1102 ACCESSIBLE UNITS**

**1102.11.2 Toilet and bathing facility.** At least one toilet and bathing facility shall comply with Section 603. At least one lavatory, one water closet and either a bathtub or shower within the unit shall comply with Sections 604 through 610. These toilet and bathing fixtures shall be in a single toilet/bathing area, such that travel between fixtures does not require travel through other parts of the unit.

## **SECTION 1103 TYPE A UNITS**

**1103.11.2.5 Bathing fixtures.** The bathing fixture shall be a bathtub complying with Section 1103.11.2.5.1 or a shower compartment complying with Section 1103.11.2.5.2.

**1103.11.2.5.2 Shower.** Showers shall comply with Section 608.

**Exception:** At standard roll-in shower compartments complying with Section 608.2.2, lavatories, countertops and cabinetry shall be permitted at one end of the clearance, provided the following criteria are met:

1. The countertop and cabinetry can be removed;
2. The floor finish extends under the countertop and cabinetry; and
3. The walls behind and surrounding the countertop and cabinetry are finished.

**REASON:** Based on anthropometry, the provision of toe space past the control end of the fixture accomplishes realistic reach of the control for 90% of persons measured

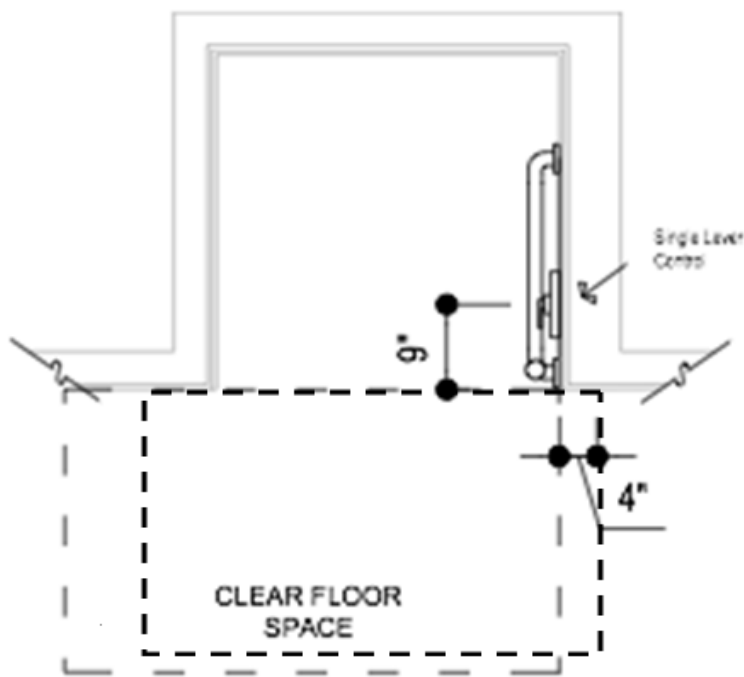
## 06-59 – 2021 Modification

608.2.1.2, 608.2.1.2.1, 608.2.1.3(New), 608.4.1, Figures 608.2.1.2(A), 608.2.1.2(B), 608.2.1.2(C), 608.2.1.3(New), 608.4.1

**Proponent:** Thomas Hirsch, FAIA, Hirsch Group Architecture, representing self; M. Bradley Gaskins, AIA; Gina Hillberry for United Cerebral Palsy; Joe Jurkiewicz, AIA; Marsha Mazz for United Spinal Association; Edward Steinfeld, Arch.D, AIA; and Steven R. Winkel, FAIA, PE, CASp

**Further revise as follows:**

**608.2.1.3 Control Clearance.** The clear floor space for toe clearance complying with Section 306.2 at the controls shall extend 4-6 inches (~~100~~ 152 mm) minimum beyond the control end wall.



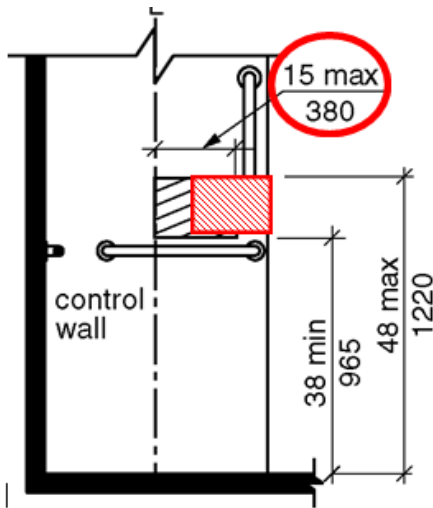
*Note: Figure needs to show 6" instead of 4" offset*

### FIGURE 608.2.1.3 TRANSFER-TYPE SHOWER COMPARTMENT CLEARANCES FOR SHOWER CONTROLS

**608.4.1 Transfer-type showers.** In transfer-type showers, the controls and hand shower shall be located:

1. On the control wall opposite the seat.
2. At a height of 38 inches (965 mm) minimum and 48 inches (1220 mm) maximum above the shower floor, and
3. The centerline of controls measured from the approach side of the shower shall be located 5-inches (~~127 mm~~) minimum and 9 inches (229 mm) maximum from the clear floor space.

*Note: The area for the controls in Figure 608.4.1 would be revised to the smaller area indicated in the revised text. Figure 608.3.1(B) indicates the vertical grab bar is 4 inches maximum to the center line of the bar. Section 609.2.1 indicates the diameter of the grab bar is 1-1/4" to 2". Since the control itself is past the control center line on both sides, the committee is requested to address the question of a possible overlap of the vertical grab bar with the controls.*



**FIGURE 608.4.1  
TRANSFER-TYPE SHOWER CONTROLS AND  
HAND SHOWER LOCATION**

**Reason:**

1. Conforms “toe space” with prior use of the term in Sec. 306.2
2. Allows for plumbing valves & piping in common use.

**Staff note:** This requirement would apply to Accessible and Type A units.

Committee Action: Disapproval

The proposal was divided for discussion.

Mod to delete change to 608.4.1 (control location) – AM 23-1-1;

Mod new 608.2.1.3 (toe clearance) AM 9-19-21; D 28-1-1;

Mod for 608.2.1.2 and 608.2.1.2.1 (transfer clearance) AM 12-15-3;

Entire proposal D 28-1-2

**REPORT OF HEARING:**

**Modification (if any):**

**Committee Reason:** The proposal was divided for discussion. The committee voted to delete the change to Section 608.4.1 for control location for consistent action with 06-40-21. They felt that the current language in Section 608.4.1 for control location provided better direction since it included all of the controls (temperature, on/off, diverters) instead of just to the center of a valve. The proposed language assumed one center control, was too restrictive, and did not address the handle locations, spread mount controls or the diverter location. The committee disapproved the modification to add toe clearance because, unlike a tub, the

user could move their front wheels into the shower stall if they needed better access to controls. The committee disapproved the change to ‘transfer clearance’ because it is adding another term to the requirements, and was not proposed universally for other transfer spaces. The committee did ask for the editorial or terminology task group to look at consistent use of ‘clearance’ and ‘clear floor space’.

Figure 608.2.1-HIRSCH.doc

## 06-59 – 2021 Ballot Comments

<b>BALLOT COMMENT 1- FIRST DRAFT:</b>
Proponent: <i>Rex Pace, HUD</i>
Desired Action: Affirmative with comment
Modification:
Reason: Concur with committee’s opposition to revision of the centerline of control requirement. However, the part of the proposal addressing clearance beyond the control is supported and has merit. Disagree with the committee’s reasoning that the nature of the shower design mitigates the need and this clearance is necessary for bathtubs but not showers. While there may be nominal advantages for the positioning of toe and rest/foot plate of wheelchairs in showers, anthropometric data indicates that the usability issues are substantially similar and distance beyond the controls outside of the fixture is necessary for efficient usability.

### Committee Action for First Ballot:

### REPORT OF HEARING:

### Modification (if any):

### Committee Reason:

<b>Report for 06-59– 2021</b>		
<b>Committee decision: D</b>	<b>Committee Vote at Meeting: 28-1-2</b>	<b>Committee Vote on Ballot:39-1-1</b>
<b>REPORT OF HEARING:</b>		
Modification (if any):		
Committee Reason: The proposal was divided for discussion. The committee voted to delete the change to Section 608.4.1 for control location for consistent action with 06-40-21. They felt that the current language in Section 608.4.1 for control location provided better direction since it included all of the controls (temperature, on/off, diverters) instead of just to the center of a valve. The proposed language assumed one center control, was too restrictive, and did not address the handle locations, spread mount controls or the diverter location. The committee disapproved the modification to add toe clearance because, unlike a tub, the user could move their front wheels into the shower stall if they needed better access to controls. The committee disapproved the change to ‘transfer clearance’ because it is adding another term to the requirements, and was not proposed universally for other transfer spaces. The committee did ask for the editorial or terminology task group to look at consistent use of ‘clearance’ and ‘clear floor space’.		
<b>BALLOT COMMENT 1- FIRST DRAFT:</b>		
Proponent: <i>Rex Pace, HUD</i>		
Desired Action: Affirmative with comment		
Modification:		
Reason: Concur with committee’s opposition to revision of the centerline of control requirement. However, the part of the proposal addressing clearance beyond the control is supported and has merit. Disagree with the committee’s reasoning that the nature of the shower design mitigates the need and this clearance is necessary for bathtubs but not showers. While there may be nominal advantages for the positioning of toe and rest/foot plate of wheelchairs in showers, anthropometric data indicates that the usability issues are substantially similar and distance beyond the controls outside of the fixture is necessary for efficient usability.		
<b>Committee decision: AS/AM/D</b>	<b>Committee Vote at Meeting:</b>	<b>Committee Vote on Ballot:</b>
<b>REPORT OF HEARING – FIRST DRAFT</b>		
Modification (if any):		
Committee Reason:		

**Report for 06-59– 2021**

**BALLOT COMMENT- SECOND DRAFT:**

Proponent:

Desired Action:

Modification:

Reason:

**Committee decision: AS/AM/D**

**Committee Vote at Meeting:**

**Committee Vote on Ballot:**

**FINAL ACTION:**

Modification (if any):

Committee Reason:

# 06-60 – 2021 overview

Proposal number	Proponent	Standard Sections	Committee Actions	Mtg. Date	Notes; Groups; groupings
06-60	Boecker	608.2.1.2.1	AM 29-0-3	11-03-22	Bathing related; staff note for editorial revision

Comment	Proponent	Requested Action	Committee Action	Mtg. Date	Notes; Groups; groupings
<b>BC1</b>	Paarlberg, ICC	Affirmative			Editorial
<b>PC1</b>	Terminology	AM			Editorial

BC= Ballot Comment, PC= Public comment, **Bold Comment number** is proposed revision below

## 06-60 – 2021 608.2.1.2.1

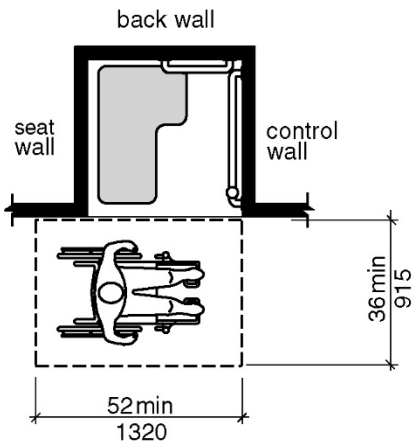
**Proponent:** Gene Boecker, Code Consultants, Inc.

**Revise as follows:**

### SECTION 608 SHOWER COMPARTMENTS

#### 608.2.1.2 Clearance.

**608.2.1.2.1 New buildings and facilities.** In new buildings and facilities, a clearance of 52 inches (1320 mm) minimum in length and 36 inches (915 mm) minimum in depth and complying with Section 305.7.1 shall be provided adjacent to the open face of the compartment. The length of the clear floor space shall be measured perpendicular from either the control wall or from 4 inches (100 mm) behind the control wall.



**FIGURE 608.2.1.2(A)  
TRANSFER-TYPE SHOWER COMPARTMENT CLEARANCES  
NEW BUILDINGS - OPTION 1**

**REASON:** Where the shower is located in an alcove, it is not clear as to whether the wheelchair space should be expanded for an alcove or if the simple dimensions are all that's needed. If a fully accessible shower is to be provided, the necessary maneuvering space should be provided to access it, including the alcove provisions.

## 06-60 – 2021 Replacement

### 608.2.1.2.1

**Proponent:** Kimberly Paarlberg, International Code Council

**Replace and revise as follows:**

### SECTION 608 SHOWER COMPARTMENTS

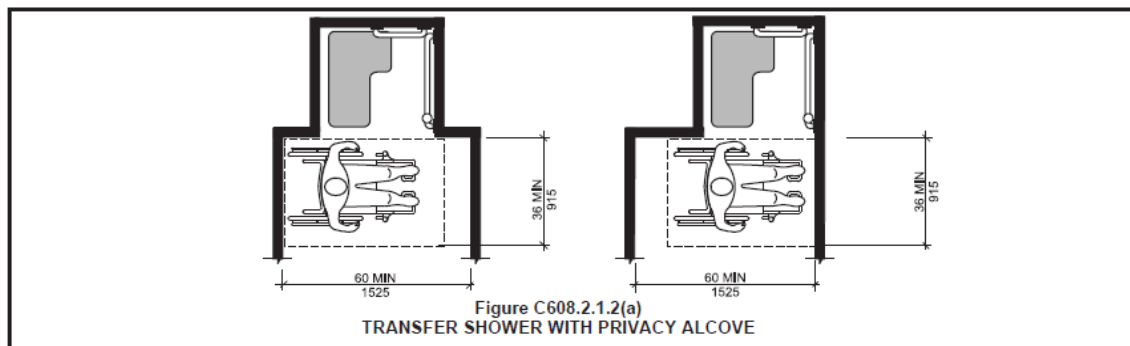
#### 608.2.1.2 Clearance.

**608.2.1.2.1 New buildings and facilities.** In new buildings and facilities, a clearance of 52 inches (1320 mm) minimum in length and 36 inches (915 mm) minimum in depth shall be provided adjacent to the open face of the compartment. The length of the clear floor space shall be measured perpendicular from either the control wall or from 4 inches (100 mm) behind the control wall. Where the clearance is an alcove, comply with Section 305.7.

**608.2.1.2.2 Existing buildings and facilities.** In existing buildings and facilities, a clearance of 48 inches (1220 mm) minimum in length measured perpendicular from the control wall, and 36 inches (915 mm) minimum in depth shall be provided adjacent to the open face of the compartment. Where the clearance is an alcove, comply with Section 305.7.

Reason: The current proposal references the parallel approach requirements (Section 305.7.1) regardless of if the transfer space is confined on three sides or not. That needed language is in Section 305.7. In addition, this proposal would only make this applicable for new construction. If a pointer is needed, this should also be added to existing building requirements. Note that dressing rooms in front of showers was addressed in 06-11-2021.

The following pictures are in the ICC A117.1 commentary. Is C608.2.1.2(a) needed to be added to the text to show how this would be applied?



## REPORT OF HEARING:

### Modification (if any):

Replace and revise as follows:

### SECTION 608 SHOWER COMPARTMENTS

#### 608.2.1.2 Clearance.

**608.2.1.2.1 New buildings and facilities.** In new buildings and facilities, a clearance of 52 inches (1320 mm) minimum in length and 36 inches (915 mm) minimum in depth shall be provided adjacent to the open face of the compartment. The length of the clear floor space shall be measured perpendicular from either the control wall or from 4 inches (100 mm) behind the control wall. Where the clearance is an alcove, the clearance shall comply with Section 305.7.

**608.2.1.2.2 Existing buildings and facilities.** In existing buildings and facilities, a clearance of 48 inches (1220 mm) minimum in length measured perpendicular from the control wall, and 36 inches (915 mm) minimum in depth shall be provided adjacent to the open face of the compartment. Where the clearance is an alcove, the clearance shall comply with Section 305.7.

**Committee Reason:** The committee added “the clearance shall” to the modification as editorial. The modification would provide a pointer for the alcove in front of the shower to both new and existing construction – the original proposal was only for new construction. While this is a pointer, it is necessary because this is a common mistake at transfer showers.

**Staff note:** There is inconsistent language for ‘clearance’ and ‘clear floor space’ in this section. A clear floor space is specified in Section 305.3. An alcove in Section 305.7 provides additional maneuvering space (**not** a clearance or clear floor space). The editorial modification made during the meeting to add “the clearance shall” could be considered a technical change when looking at wheelchair/shower seat alignment for the clear floor space. If the intent of the committee is to allow the alcove to move in either direction as indicated in Figure C608.2.1.2(a) in the reason, staff suggests the following as a clarification.

Further modify as follows:

**608.2.1.2.1 New buildings and facilities.** In new buildings and facilities, a clearance of 52 inches (1320 mm) minimum in length and 36 inches (915 mm) minimum in depth shall be provided adjacent to the open face of the compartment. The length of the ~~clear floor space~~ clearance shall be measured perpendicular from either the control wall or from 4 inches (100 mm) behind the control wall. Where the clearance is located in an alcove, the ~~clearance~~ alcove shall comply with Section 305.7.

**608.2.1.2.2 Existing buildings and facilities.** In existing buildings and facilities, a clearance of 48 inches (1220 mm) minimum in length measured perpendicular from the control wall, and 36 inches (915 mm) minimum in depth shall be provided adjacent to the open face of the compartment. Where the clearance is located in an alcove, the ~~clearance~~ alcove shall comply with Section 305.7.



## 06-60 – 2021 Ballot Comments

### BALLOT COMMENT 1- FIRST DRAFT:

Proponent: *Kimberly Paarlberg, ICC*

Desired Action: Affirmative with comment

Modification: See Ballot Comment 1

## 06-60 – 2021 Ballot Comment 1

### 608.2.1.2.1, 608.2.1.2.2

**Proponent:** Kimberly Paarlberg, ICC

**Further modify as follows:**

**608.2.1.2.1 New buildings and facilities.** In new buildings and facilities, a clearance of 52 inches (1320 mm) minimum in length and 36 inches (915 mm) minimum in depth shall be provided adjacent to the open face of the compartment. The length of the **clear floor space clearance** shall be measured perpendicular from either the control wall or from 4 inches (100 mm) behind the control wall. Where the clearance **is located in** an alcove, the **clearance alcove** shall comply with Section 305.7.

**608.2.1.2.2 Existing buildings and facilities.** In existing buildings and facilities, a clearance of 48 inches (1220 mm) minimum in length measured perpendicular from the control wall, and 36 inches (915 mm) minimum in depth shall be provided adjacent to the open face of the compartment. Where the clearance **is located in** an alcove, the **clearance alcove** shall comply with Section 305.7.

**REASON:** There is inconsistent language for ‘clearance’ and ‘clear floor space’ in this section. A clear floor space is specified in Section 305.3. An alcove in Section 305.7 provides additional maneuvering space (**not** a clearance or clear floor space). The editorial modification made during the meeting to add “the clearance shall” could be considered a technical change when looking at wheelchair/shower seat alignment for the clear floor space. If the intent of the committee is to allow the alcove to move in either direction as indicated in Figure C608.2.1.2(a) in the reason, staff suggests the following as a clarification.

**Committee Action for Ballot Comment 1:**

**REPORT OF HEARING:**

**Modification (if any):**

**Committee Reason:**

**06-60 Paarlberg.doc**

# 06-60 – 2021 Public Comment 1

## 608.2.1.2.1, 608.2.1.2.2

**Proponent:** Marsha Mazz, representing the Terminology Task Group

**Further revise as follows:**

### SECTION 608 SHOWER COMPARTMENTS

**608.2.1.2.1 New buildings and facilities.** In new buildings and facilities, a maneuvering clearance **at the shower compartment** of 52 inches (1320 mm) minimum in length and 36 inches (915 mm) minimum in depth shall be provided adjacent to the open face of the compartment. The length of the ~~clear floor space~~ maneuvering clearance at the shower compartment shall be measured perpendicular from either the control wall or from 4 inches (100 mm) behind the control wall. Where the maneuvering clearance at the shower compartment is located in an alcove, the ~~clearance alcove~~ shall comply with Section 305.7.

**608.2.1.2.2 Existing buildings and facilities.** In existing buildings and facilities, a maneuvering clearance **at the shower compartment** of 48 inches (1220 mm) minimum in length measured perpendicular from the control wall, and 36 inches (915 mm) minimum in depth shall be provided adjacent to the open face of the compartment. Where the maneuvering clearance is located in an alcove, the ~~clearance alcove~~ shall comply with Section 305.7.

---

**REASON:** This is part of a proposal from the Terminology task group to define the building blocks so that a reference is not required. This public comment is included here because it was part of new text. Please see the complete proposal for additional information.

---

**Committee Action for Pubic comment 1:**

**REPORT OF HEARING:**

**Modification (if any):**

**Committee Reason:**

06-60 Terminology.doc

---

**Committee Action for First Ballot:**

**REPORT OF HEARING:**

**Modification (if any):**

## Committee Reason:

<b>Report for 06-60– 2021</b>		
<b>Committee decision:</b> AM	<b>Committee Vote at Meeting:</b> 29-0-3	<b>Committee Vote on Ballot:</b> 39-1-1
<b>REPORT OF HEARING:</b> Modification (if any): <b>Replace and revise as follows:</b>		
<b>SECTION 608</b> <b>SHOWER COMPARTMENTS</b>		
<b>608.2.1.2 Clearance.</b>		
<p><b>608.2.1.2.1 New buildings and facilities.</b> In new buildings and facilities, a clearance of 52 inches (1320 mm) minimum in length and 36 inches (915 mm) minimum in depth shall be provided adjacent to the open face of the compartment. The length of the clear floor space shall be measured perpendicular from either the control wall or from 4 inches (100 mm) behind the control wall. <u>Where the clearance is an alcove, the clearance shall comply with Section 305.7.</u></p>		
<p><b>608.2.1.2.2 Existing buildings and facilities.</b> In existing buildings and facilities, a clearance of 48 inches (1220 mm) minimum in length measured perpendicular from the control wall, and 36 inches (915 mm) minimum in depth shall be provided adjacent to the open face of the compartment. <u>Where the clearance is an alcove, the clearance shall comply with Section 305.7.</u></p>		
<p>Committee Reason: The committee added "the clearance shall" to the modification as editorial. The modification would provide a pointer for the alcove in front of the shower to both new and existing construction – the original proposal was only for new construction. While this is a pointer, it is necessary because this is a common mistake at transfer showers.</p>		
<p><b>Staff note:</b> There is inconsistent language for 'clearance' and 'clear floor space' in this section. A clear floor space is specified in Section 305.3. An alcove in Section 305.7 provides additional maneuvering space (<b>not</b> a clearance or clear floor space). The editorial modification made during the meeting to add "the clearance shall" could be considered a technical change when looking at wheelchair/shower seat alignment for the clear floor space. If the intent of the committee is to allow the alcove to move in either direction as indicated in Figure C608.2.1.2(a) in the reason, staff suggests the following as a clarification.</p>		
<p>Further modify as follows:</p>		
<p><b>608.2.1.2.1 New buildings and facilities.</b> In new buildings and facilities, a clearance of 52 inches (1320 mm) minimum in length and 36 inches (915 mm) minimum in depth shall be provided adjacent to the open face of the compartment. The length of the <u>clear floor space clearance</u> shall be measured perpendicular from either the control wall or from 4 inches (100 mm) behind the control wall. Where the clearance is <u>located in</u> an alcove, the <u>clearance alcove</u> shall comply with Section 305.7.</p>		
<p><b>608.2.1.2.2 Existing buildings and facilities.</b> In existing buildings and facilities, a clearance of 48 inches (1220 mm) minimum in length measured perpendicular from the control wall, and 36 inches (915 mm) minimum in depth shall be provided adjacent to the open face of the compartment. Where the clearance is <u>located in</u> an alcove, the <u>clearance alcove</u> shall comply with Section 305.7.</p>		
<b>BALLOT COMMENT 1- FIRST DRAFT:</b>		
Proponent: <i>Kimberly Paarlberg, ICC</i>		
Desired Action: Affirmative with comment		
Modification:		
<b>Further modify as follows:</b>		
<p><b>608.2.1.2.1 New buildings and facilities.</b> In new buildings and facilities, a clearance of 52 inches (1320 mm) minimum in length and 36 inches (915 mm) minimum in depth shall be provided adjacent to the open face of the compartment. The length of the <u>clear floor space clearance</u> shall be measured perpendicular from either the control wall or from 4 inches (100 mm) behind the control wall. Where the clearance <u>is located in</u> an alcove, the <u>clearance alcove</u> shall comply with Section 305.7.</p>		
<p><b>608.2.1.2.2 Existing buildings and facilities.</b> In existing buildings and facilities, a clearance of 48 inches (1220 mm) minimum in length measured perpendicular from the control wall, and 36 inches (915 mm) minimum in depth shall be provided adjacent to the open face of the compartment. Where the clearance <u>is located in</u> an alcove, the <u>clearance alcove</u> shall comply with Section 305.7.</p>		
<b>Reason:</b>		
There is inconsistent language for 'clearance' and 'clear floor space' in this section. A clear floor space is specified in Section 305.3. An alcove in Section 305.7 provides additional maneuvering space ( <b>not</b> a clearance or clear floor space). The editorial modification made during the meeting to add "the clearance shall" could be considered a technical change when looking at wheelchair/shower seat alignment for the clear floor space. If the intent of the committee is to allow the alcove to move in either direction as indicated in Figure C608.2.1.2(a) in the reason, staff suggests the following as a clarification.		
<b>Committee decision:</b> AS/AM/D	<b>Committee Vote at Meeting:</b>	<b>Committee Vote on Ballot:</b>
<b>REPORT OF HEARING – FIRST DRAFT</b>		
Modification (if any):		
Committee Reason:		
<b>BALLOT COMMENT- SECOND DRAFT:</b>		
Proponent:		
Desired Action:		
Modification:		
Reason:		
<b>Committee decision:</b> AS/AM/D	<b>Committee Vote at Meeting:</b>	<b>Committee Vote on Ballot:</b>
<b>FINAL ACTION:</b>		
Modification (if any):		
Committee Reason:		

## 06-61 – 2021 overview

Proposal number	Proponent	Standard Sections	Committee Actions	Mtg. Date	Notes; Groups; groupings
06-61	Anderson	608.2.2 (New), 608.2.2.1 (New), 608.2.2.2 (New), 608.2.2.3 (New), 608.3.2 (New), 608.3.2.1 (New), 608.3.2.2 (New), 608.3.2.3 (New), 608.4.2 (New), 610.3, 610.3.3 (New)	AM 21-2-1	11-03-22	Bathing related

Comment	Proponent	Requested Action	Committee Action	Mtg. Date	Notes; Groups; groupings
BC1	Anderson, AIA	Affirmative			
BC2	Pace, HUD	Affirmative			
<b>BC3</b>	Paarlberg, ICC	Affirmative			Editorial
<b>PC1</b>	Terminology	AM			Editorial
<b>PC2</b>	Terminology	AM			Editorial

BC= Ballot Comment, PC= Public comment, **Bold Comment number** is proposed revision below

## 06-61 – 2021

608.2.2(New), 608.2.2.1(New), 608.2.2.2(New), 608.2.2.3(New), 608.3.2(New),  
608.3.2.1(New), 608.3.2.2(New), 608.3.2.3(New), 608.4.2(New), 610.3, 610.3.3(New)

**Proponent:** Doug Anderson, representing American Hotel and Lodging Association

**Revise as follows:**

### SECTION 608 SHOWER COMPARTMENTS

**608.2.2 Alternate transfer shower compartments.** Alternate transfer shower compartments shall comply with Section 608.2.2.

**608.2.2.1 Size.** Alternate transfer shower compartments shall have a clear inside dimension of 58 inches (1473 mm) minimum in width and 30 inches (760 mm) minimum in depth, measured at the center point of opposing sides. An entry 58 inches (1473 mm) minimum in width shall be provided.

**608.2.2.2 Clearance.** A clearance of 60 inches (1525 mm) minimum in length adjacent to the 60-inch (1525 mm) width of the open face of the shower compartment, and 30 inches (760 mm) minimum in depth, shall be provided.

**Exception:** A lavatory complying with Section 606 shall be permitted at the end of the clearance opposite the seat.

**608.2.2.3 Seat.** An adjustable seat complying with Section 610 shall be provided that can be secured at varying distances from the control wall. At least one of the positions will locate the back of the seat between 35 and 37 inches (889 and 940 mm) from the control wall.

**Exception:** A seat is not required to be installed in a shower for a single occupant accessed only through a private office and not for common use or public use, provided reinforcement has been installed in walls and located so as to permit the installation of a shower seat.

**608.3.2 Alternate transfer type shower.** Grab bars in alternate transfer type showers shall comply with Sections 608.3.2.1 through 608.3.2.3.

**608.3.2.1 Back-wall grab bar.** In alternate transfer showers, a grab bar shall be provided on the back wall. The back-wall grab bar shall extend the length of the wall and extend within 6 inches (150 mm) maximum from the adjacent side walls.

**608.3.2.2 Side-wall grab bars.** A grab bar shall be provided on the side-wall opposite the seat. The side wall grab bar shall extend the length of the wall and extend within 6 inches (150 mm) maximum from the adjacent back wall.

**608.3.2.3 Vertical grab bar.** A vertical grab bar 18 inches (455 mm) minimum in length shall be provided on the end wall 3 inches (75 mm) minimum and 6 inches (150 mm) maximum above the horizontal grab bar, and 4 inches (100 mm) maximum inward from the front edge of the shower.

**608.4 Controls and hand showers.** Controls and hand showers shall comply with Sections 608.4 and 309.4.

**608.4.2 Alternate transfer-type showers.** In alternate transfer-type showers, the controls and hand shower shall be located:

1. On the control wall opposite the seat.
2. At a height of 15 inches (381 mm) minimum and 48 inches (1220 mm) maximum above the shower floor, and
3. 15 inches (380 mm) maximum, from the centerline of the control wall toward the shower opening.

**608.6 Thresholds.** Thresholds in roll-in-type shower and compartments shall be 1/2 inch (13 mm) maximum in height in accordance with Section 303. In transfer-type shower compartments, thresholds 1/2 inch (13 mm) maximum in height shall be beveled, rounded, or vertical.

**Exception:** In existing facilities, in transfer-type shower compartments where provision of a threshold 1/2 inch (13 mm) in height would disturb the structural reinforcement of the floor slab, a threshold 2 inches (51 mm) maximum in height shall be permitted.

## SECTION 610 SEATS

**610.3 Shower compartment seats.** The height of shower compartment seats shall be 17 inches (430 mm) minimum and 19 inches (485 mm) maximum above the bathroom floor, measured to the top of the seat. In transfer-type and alternate roll-in-type showers, the seat shall extend along the seat wall to a point within 3 inches (75 mm) of the compartment entry. In standard roll-in-type showers, the seat shall extend from the control wall to a point within 3 inches (75 mm) of the compartment entry. In alternate transfer type showers, the seat shall extend from the back wall to a point within 3 inches (75 mm) of the compartment entry. Seats shall comply with Section 610.3.1 or 610.3.2. In alternate transfer type showers the seat shall also have a seat back comply with Section 610.3.3.

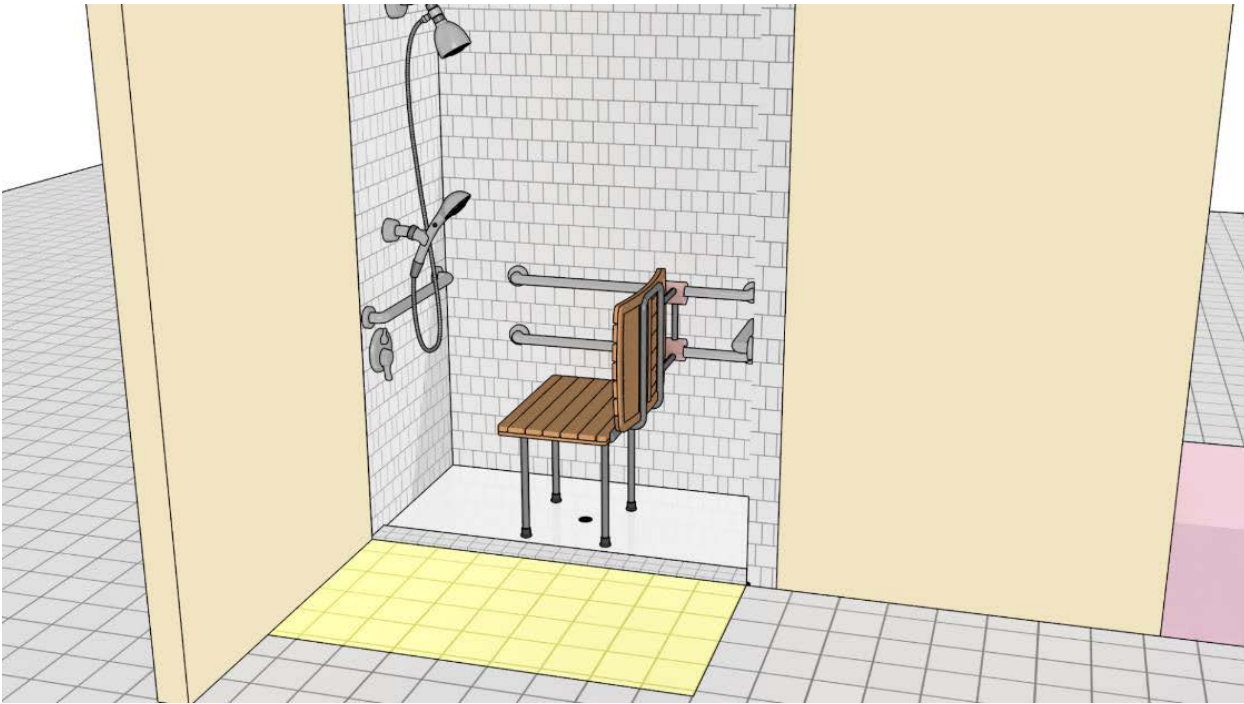
**610.3.1 Rectangular seats.** The rear edge of a rectangular seat shall be 2½ inches (64 mm) maximum and the front edge 15 inches (380 mm) minimum and 16 inches (405 mm) maximum from the seat wall. The side edge of the seat shall be 1½ inches (38 mm) maximum from the back wall of a transfer-type shower and 1½ inches (38 mm) maximum from the control wall of a roll-in-type shower.

**610.3.2 L-shaped seats.** The rear edge of an L-shaped seat shall be 2½ inches (64 mm) maximum and the front edge 15 inches (380 mm) minimum and 16 inches (405 mm) maximum from the seat wall. The rear edge of the “L” portion of the seat shall be 1½ inches (38 mm) maximum from the wall and the front edge shall be 14 inches (355 mm) minimum and 15 inches (380 mm) maximum from the wall. The end of the “L” shall be 22 inches (560 mm) minimum and 23 inches (585 mm) maximum from the main seat wall.

**610.3.3 Seat backs.** In alternate transfer type showers the seat shall be provided with a back support that is the length of the seat and that shall extend from a point 2 inches (51 mm) maximum above the seat surface to a point 18 inches (455 mm) minimum above the seat surface.

---

**REASON:** An alternate transfer shower could offer another bathing option that would fit in the footprint of a bathtub and provide more flexible options for assisted bathing.



Committee Action: As modified 21-2-1

## REPORT OF HEARING:

**Modification (if any):** Mod 23-2-1 Section 608.3.2, Mod 21-2-1 to 608.2.2; modification to 608.3.2 editorial; AM 21-2-1

Further revise as follows:

**608.2.2 Alternate transfer shower compartments.** In existing buildings and facilities, Alternate transfer shower compartments shall comply with Section 608.2.2.

**608.2.2.3 Seat.** An adjustable seat complying with Section 610 shall be provided that can be secured at varying distances from the control wall. At least one of the positions will locate the back of the seat between 35 and 37 inches (889 and 940 mm) from the control wall.

**Exception:** A seat is not required to be installed in a shower for a single occupant accessed only through a private office and not for common use or public use, provided reinforcement has been installed in walls and located so as to permit the installation of a shower seat.

**608.3.2 Alternate transfer type shower.** Grab bars in alternate transfer type showers shall comply with Section 609 and be provided in accordance with Sections 608.3.2.1 through 608.3.2.3.

**Committee Reason:** The modification to Section 608.2.2 was so that this option is only within existing buildings. The modification to 608.2.2.3 to delete 'adjustable' was to clarify that only the distance from the control wall varies, not everything else about the seat. The modification to 608.3.2 was for a specific reference to the grab bar requirements. The proposal was approved as this option for an alternate transfer shower will offer another bathing option that would fit in the footprint of a bathtub and provide more flexible options for assisted bathing.

## 06-61 – 2021 Ballot Comments

### BALLOT COMMENT 1- FIRST DRAFT:

Proponent: *Doug Anderson, AHLA*

Desired Action: Affirmative with comment

Modification:

Reason: The size needs to be adjusted to allow for the typical opening created by the removal of a tub. 58” may not work

### BALLOT COMMENT 2- FIRST DRAFT:

Proponent: *Rex Pace, HUD*

Desired Action: Affirmative with comment

Modification:

Reason: Conceptually do not oppose the proposed alternative transfer shower compartment and agree it would likely have benefits, primarily in alterations, to create more accessible solutions to many people than bathtubs can offer, particularly in regard to the difficulties of transferring over tub rims and getting in/out of deep basins. However, this option is highly dependent on manufactured product options that are not yet widely available and would require customizations of existing product that while possible are unlikely. The requirement is in essence a “push” to industry and in that regard is supported.

### BALLOT COMMENT 3- FIRST DRAFT:

Proponent: *Kimberly Paarlberg, ICC*

Desired Action: Affirmative with comment

Modification: See Ballot Comment 3

## 06-61 – 2021 Ballot Comment 3

### 610.3

Proponent: **Kimberly Paarlberg, ICC**

Further modify as follows:

**06-61-21 AM; 06-82-21 AM - editorial, combined sentence**

**610.3 Shower compartment seats.** The height of shower compartment seats shall be 17 inches (430 mm) minimum and **19 20** inches (**485 510** mm) maximum above the bathroom floor, measured to the top of the seat. In transfer-type and alternate roll-in-type showers, the seat shall extend along the seat wall to a point within 3 inches (75 mm) of the compartment entry. In standard roll-in-type showers **and in alternate transfer type showers,** the seat shall extend from the control wall to a point within 3 inches (75 mm) of the compartment entry. **In alternate transfer type showers, the seat shall extend from the back wall to a point within 3 inches (75 mm) of the compartment entry.** Seats shall comply with Section 610.3.1 or 610.3.2. **In alternate transfer type showers the seat shall also have a seat back comply with Section 610.3.3.**

**REASON:** This is the change to allow for the alternate shower with a moveable seat. See the control coordination in 06-47-21.



**Committee Action for Ballot Comment 3:**

**REPORT OF HEARING:**

**Modification (if any):**

**Committee Reason:**

**06-61 Paarlberg.doc**

---

**06-61 – 2021 Public Comment 1**

**608.2.2.2**

**Proponent:** Marsha Mazz, representing the Terminology Task Group

**Further revise as follows:**

**SECTION 608  
SHOWER COMPARTMENTS**

**608.2.2.2 Maneuvering Clearance.** A maneuvering clearance at the shower compartment of 60 inches (1525 mm) minimum in length adjacent to the 60-inch (1525 mm) width of the open face of the shower compartment, and 30 inches (760 mm) minimum in depth, shall be provided.

**Exception:** A lavatory complying with Section 606 shall be permitted at the end of the maneuvering clearance at the shower compartment opposite the seat.

---

**REASON:** This is part of a proposal from the Terminology task group to define the building blocks so that a reference is not required. This public comment is included here because it was part of new text. Please see the complete proposal for additional information.

---

**Committee Action for Public Comment 1:**

**REPORT OF HEARING:**

**Modification (if any):**

**Committee Reason:**

**06-61 Terminology.doc**

---

**06-61 – 2021 Public Comment 2**

**608.2.2.3**

**Proponent:** Marsha Mazz, representing Terminology Work Group

Further revise as follows:

**SECTION 608  
SHOWER COMPARTMENTS**

**608.2 Size, clearance and seat.....**

**608.2.2 Alternate transfer shower compartments.....**

**608.2.2.3 Seat.** An seat complying with Section 610 shall be provided that can be secured at varying distances from the control wall. At least one of the positions will locate the back of the seat ~~between~~ **35 inches (889 mm) minimum** and 37 inches (~~889 and~~ 940 mm) **maximum** from the control wall.

**Exception:** A seat is not required to be installed in a shower for a single occupant accessed only through a private office and not for common use or public use, provided reinforcement has been installed in walls and located so as to permit the installation of a shower seat.

---

**REASON:** This is part of a proposal from the Terminology task group to replace ‘between’ in the standard. Between is not clear as to if the end points are included or not.

This same issue includes Sections 307.4, 404.2.2, 602.2.5, 602.3.4, and new 608.2.2.3.

---

**Committee Action for Public Comment 2:**

**REPORT OF HEARING:**

**Modification (if any):**

**Committee Reason:**

06-61 Terminology.doc

---

**Committee Action for First Ballot:**

**REPORT OF HEARING:**

**Modification (if any):**

**Committee Reason:**

<b>Report for 06-61– 2021</b>		
<i>Committee decision: AM</i>	<i>Committee Vote at Meeting: 21-2-1</i>	<i>Committee Vote on Ballot:37-3-1</i>
<b>REPORT OF HEARING:</b> Modification (if any): Further revise as follows:  <b>608.2.2 Alternate transfer shower compartments. <del>In existing buildings and facilities.</del> Alternate transfer shower compartments shall comply with Section 608.2.2.</b>		

## Report for 06-61– 2021

**608.2.2.3 Seat.** An **adjustable** seat complying with Section 610 shall be provided that can be secured at varying distances from the control wall. At least one of the positions will locate the back of the seat between 35 and 37 inches (889 and 940 mm) from the control wall.

**Exception:** A seat is not required to be installed in a shower for a single occupant accessed only through a private office and not for common use or public use, provided reinforcement has been installed in walls and located so as to permit the installation of a shower seat.

**608.3.2 Alternate transfer type shower.** Grab bars in alternate transfer type showers shall comply **with Section 609 and be provided in accordance** with Sections 608.3.2.1 through 608.3.2.3.

Committee Reason: The modification to Section 608.2.2 was so that this option is only within existing buildings. The modification to 608.2.2.3 to delete 'adjustable' was to clarify that only the distance from the control wall varies, not everything else about the seat. The modification to 608.3.2 was for a specific reference to the grab bar requirements. The proposal was approved as this option for an alternate transfer shower will offer another bathing option that would fit in the footprint of a bathtub and provide more flexible options for assisted bathing.

### BALLOT COMMENT 1- FIRST DRAFT:

Proponent: *Doug Anderson, AHLA*

Desired Action: Affirmative with comment

Modification:

Reason: The size needs to be adjusted to allow for the typical opening created by the removal of a tub. 58" may not work

### BALLOT COMMENT 2- FIRST DRAFT:

Proponent: *Rex Pace, HUD*

Desired Action: Affirmative with comment

Modification:

Reason: Conceptually do not oppose the proposed alternative transfer shower compartment and agree it would likely have benefits, primarily in alterations, to create more accessible solutions to many people than bathtubs can offer, particularly in regard to the difficulties of transferring over tub rims and getting in/out of deep basins. However, this option is highly dependent on manufactured product options that are not yet widely available and would require customizations of existing product that while possible are unlikely. The requirement is in essence a "push" to industry and in that regard is supported.

### BALLOT COMMENT 3- FIRST DRAFT:

Proponent: *Kimberly Paarlberg, ICC*

Desired Action: Affirmative with comment

Modification:

**Correlation in red, Further modify as follows:**

**06-61-21 AM; 06-82-21 AM - editorial, combined sentence**

**610.3 Shower compartment seats.** The height of shower compartment seats shall be 17 inches (430 mm) minimum and **19 20** inches (~~485~~ **510** mm) maximum above the bathroom floor, measured to the top of the seat. In transfer-type and alternate roll-in-type showers, the seat shall extend along the seat wall to a point within 3 inches (75 mm) of the compartment entry. In standard roll-in-type showers **and in alternate transfer type showers**, the seat shall extend from the control wall to a point within 3 inches (75 mm) of the compartment entry. **In alternate transfer type showers, the seat shall extend from the back wall to a point within 3 inches (75 mm) of the compartment entry.** Seats shall comply with Section 610.3.1 or 610.3.2. **In alternate transfer type showers the seat shall also have a seat back comply with Section 610.3.3.**

Reason: This is the change to allow for the alternate shower with a moveable seat. See the control coordination in 06-47-21.

**Committee decision: AS/AM/D**

**Committee Vote at Meeting:**

**Committee Vote on Ballot:**

### REPORT OF HEARING – FIRST DRAFT

Modification (if any):

Committee Reason:

### BALLOT COMMENT- SECOND DRAFT:

Proponent:

Desired Action:

Modification:

Reason:

**Committee decision: AS/AM/D**

**Committee Vote at Meeting:**

**Committee Vote on Ballot:**

### FINAL ACTION:

Modification (if any):

Committee Reason:

## 06-62 – 2021 overview

Proposal number	Proponent	Standard Sections	Committee Actions	Mtg. Date	Notes; Groups; groupings
06-62	Paarlberg	608.2.2.2, 608.2.2.3, 608.3.2, 608.3.2.1, 608.3.2.4(New), 608.3.2.5(New), 608.3.2.6(New), 608.4.2, 608.4.3(New), Figure 608.2.2.1, 608.2.2.1(B)(New), 608.2.2.2, 608.3.2(A), 608.3.2(B), 608.3.2(C), 608.3.2(D)(New), 608.4.2, 608.4.3(New)	AM 29-0-0	11-17-2022	Bathing related

Comment	Proponent	Requested Action	Committee Action	Mtg. Date	Notes; Groups; groupings
<b>BC1</b>	Paarlberg, ICC	Affirmative			Editorial
<b>PC1</b>	Terminology	AM			Editorial

BC= Ballot Comment, PC= Public comment, **Bold Comment number** is proposed revision below

## 06-62 – 2021

**608.2.2.2, 608.2.2.3, 806.3.2, 608.3.2.1, 608.3.2.4(New), 608.3.2.5(New), 608.3.2.6(New), 608.4.2, 608.4.3(New), Figure 608.2.2.1, 608.2.2.1(B)(New), 608.2.2.2, 608.3.2(A), 608.3.2(B), 608.3.2(C), 608.3.2(D)(New), 608.4.2, 608.4.3(New)**

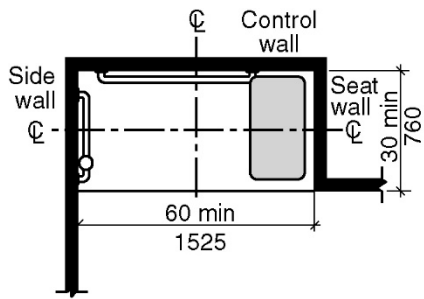
**Proponent:** Kimberly Paarlberg, International Code Council

Revise as follows:

### SECTION 608 SHOWER COMPARTMENTS

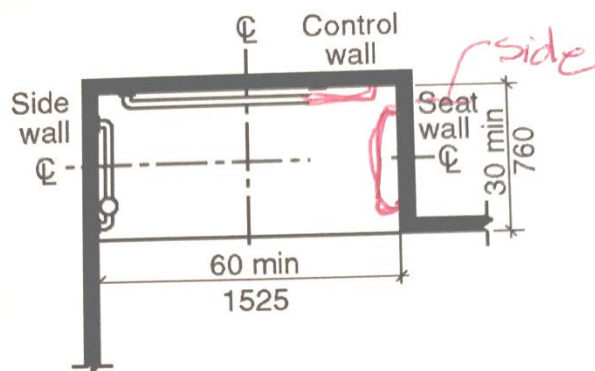
**608.2.2 Standard roll-in-type shower compartments.** Standard roll-in-type shower compartments shall comply with Section 608.2.2.

**608.2.2.1 Size.** Standard roll-in-type shower compartments shall have a clear inside dimension of 60 inches (1525 mm) minimum in width and 30 inches (760 mm) minimum in depth, measured at the center point of opposing sides. An entry 60 inches (1525 mm) minimum in width shall be provided.



Note: inside finished dimensions measured at the center points of opposing sides

**FIGURE 608.2.2.1(A)**  
**STANDARD ROLL-IN-TYPE SHOWER WITH A SEAT**  
**COMPARTMENT SIZE**



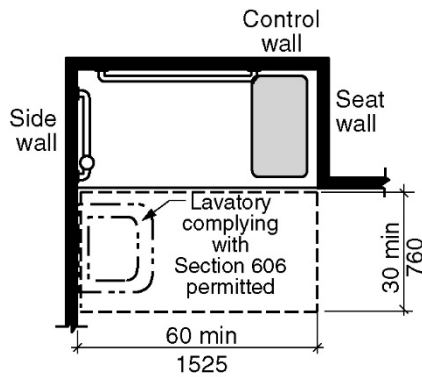
Note: inside finished dimensions measured at the center points of opposing sides

**FIGURE 608.2.2.1(B)**  
**STANDARD ROLL-IN-TYPE SHOWER WITH NO SEAT**  
**COMPARTMENT SIZE**

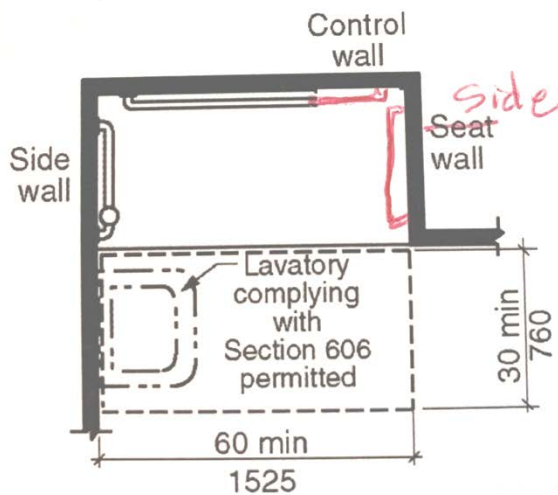
**608.2.2.2 Clearance.** A clearance of 60 inches (1525 mm) minimum in length adjacent to the 60-inch (1525 mm) width of the open face of the shower compartment, and 30 inches (760 mm) minimum in depth, shall be provided.

**Exception Exceptions:**

1. A lavatory complying with Section 606 shall be permitted at the end of the clearance opposite the seat.
2. Where no seat is provided, the lavatory complying with Section 606 shall be permitted at either end of the clearance.



**FIGURE 608.2.2.2(A)**  
**STANDARD ROLL-IN-TYPE SHOWER COMPARTMENT WITH A SEAT CLEARANCE**



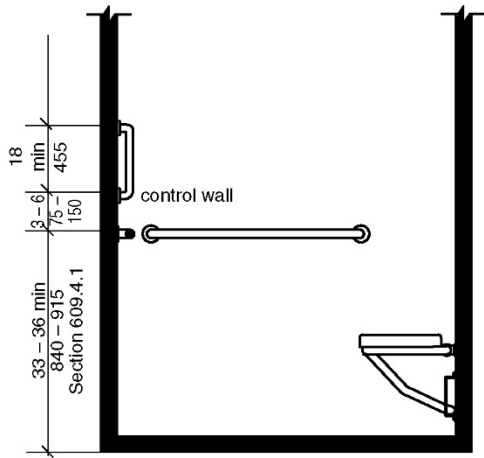
**FIGURE 608.2.2.2(B)**  
**STANDARD ROLL-IN-TYPE SHOWER COMPARTMENT WITH NO SEAT CLEARANCE**

**608.2.2.3 Seat.** A folding seat complying with Section 610 shall be provided on an end wall.

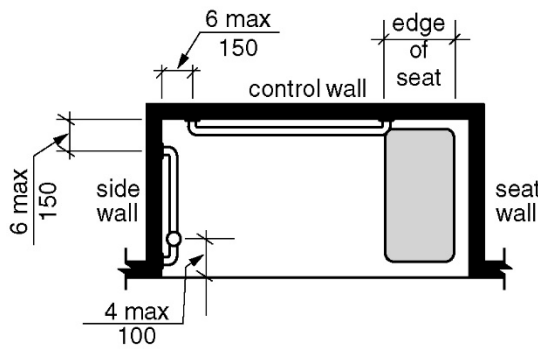
**Exceptions:**

1. A seat is not required to be installed in a shower for a single occupant accessed only through a private office and not for common use or public use, provided reinforcement has been installed in walls and located so as to permit the installation of a shower seat.
2. A fixed seat shall be permitted where the seat does not overlap the minimum clear inside dimension required by Section 608.2.2.1.
3. A seat is not required in bathrooms serving individual dwelling or sleeping units that are not transient lodging facilities.

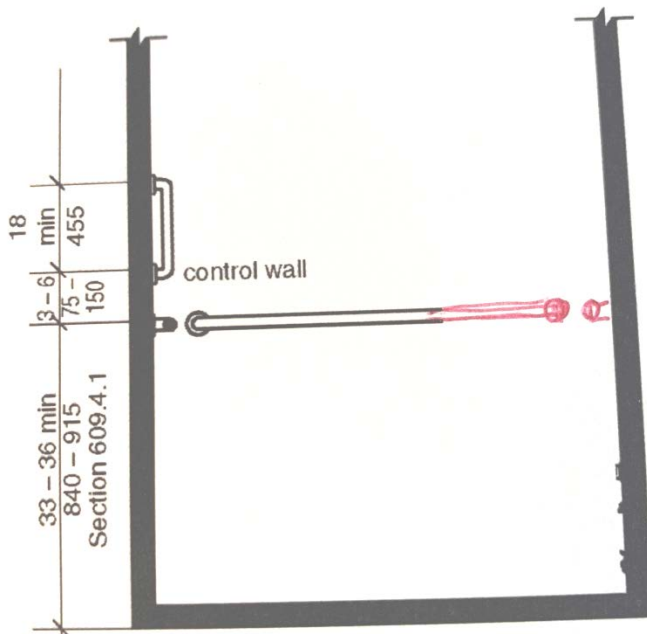
**608.3.2 Standard roll-in-type showers.** Grab bars in standard roll-in showers with a seat shall comply with Sections 608.3.2.1 through 608.3.2.3. Grab bars in standard roll-in showers with no seat shall comply with Section 608.3.2.4 through 608.3.2.5.



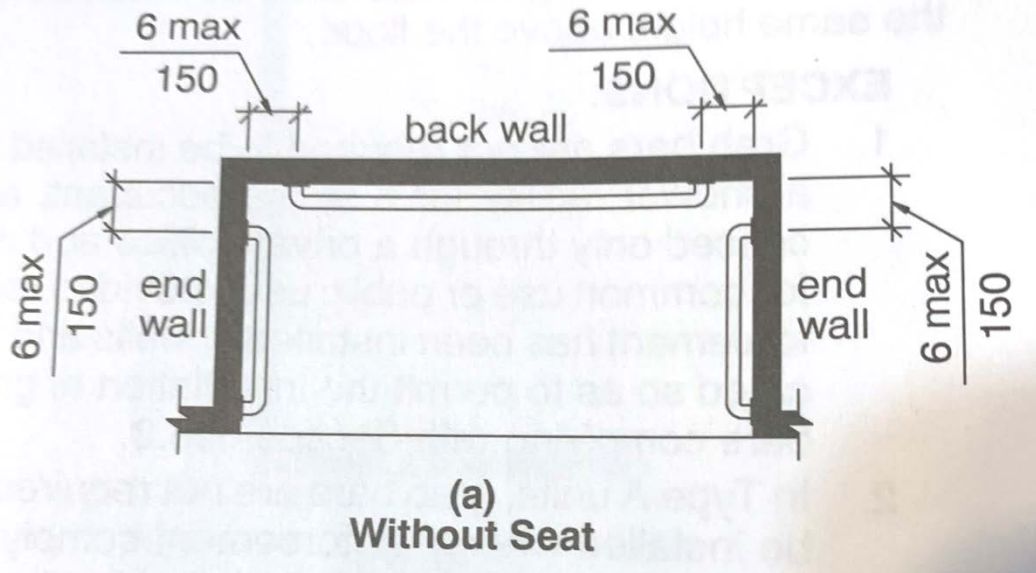
**FIGURE 608.3.2(A)**  
**GRAB BARS IN STANDARD ROLL-IN-TYPE SHOWER WITH A SEAT**  
**ELEVATION**



**FIGURE 608.3.2(B)**  
**GRAB BARS IN STANDARD ROLL-IN-TYPE SHOWER WITH SEAT**  
**PLAN**



**FIGURE 608.3.2(C)**  
**GRAB BARS IN STANDARD ROLL-IN-TYPE SHOWER WITH NO SEAT**  
**ELEVATION**



**FIGURE 608.3.2(D)**  
**GRAB BARS IN STANDARD ROLL-IN-TYPE SHOWER WITH NO SEAT**  
**PLAN**

**608.3.2.1 Back-wall grab bar.** In standard roll-in type showers with a seat, a grab bar shall be provided on the back wall beginning at the edge of the seat. The grab bars shall not be provided above the seat. The back-wall grab bar shall extend the length of the wall and extend within 6 inches (150 mm) maximum from the adjacent side wall opposite the seat.

**Exceptions:**

1. The back wall grab bar shall not be required to exceed 48 inches (1220 mm) in length.
2. The back-wall grab bar is not required to extend within 6 inches (150 mm) of the adjacent side wall opposite the seat if it would require the grab bar length to exceed 48 inches (1220 mm) in length.

**608.3.2.2 Side-wall grab bars.** Where a side wall is provided opposite the seat within 72 inches (1830 mm) of the seat wall, a grab bar shall be provided on the side-wall opposite the seat. The side wall grab bar shall extend the length of the wall and extend within 6 inches (150 mm) maximum from the adjacent back wall.

**Exception:** The side-wall grab bar shall not be required to exceed 30 inches (760 mm) in length.

**608.3.2.3 Vertical grab bar.** Where a side wall is provided opposite the seat within 72 inches (1830 mm) of the seat wall a vertical grab bar shall be provided. A vertical grab bar 18 inches (455 mm) minimum in length shall be provided on the end wall 3 inches (75 mm) minimum and 6 inches (150 mm) maximum above the horizontal grab bar, and 4 inches (100 mm) maximum inward from the front edge of the shower.



**608.3.2.4 Back-wall grab bar.** In standard roll-in type showers with no seat, a grab bar shall be provided on the back wall. The back-wall grab bar shall extend the length of the wall and extend within 6 inches (150 mm) maximum from the adjacent side walls.

**Exceptions:**

1. The back wall grab bar shall not be required to exceed 48 inches (1220 mm) in length.
2. The back-wall grab bar is not required to extend within 6 inches (150 mm) of one of the adjacent side walls if it would require the grab bar length to exceed 48 inches (1220 mm) in length.

**608.3.2.5 Side-wall grab bars.** A grab bar shall be provided on the side-walls. The side wall grab bar shall extend the length of the wall and extend within 6 inches (150 mm) maximum from the adjacent back wall.

**Exceptions:**

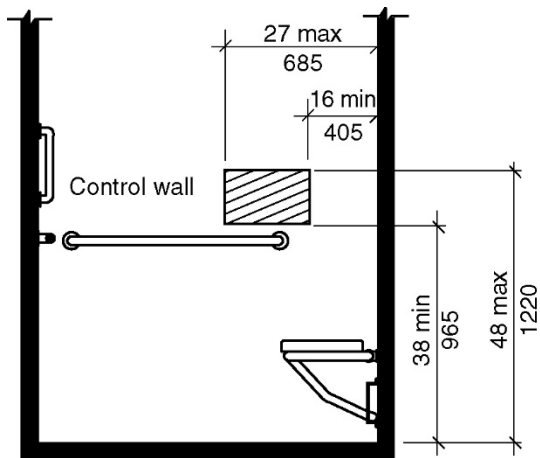
1. The side-wall grab bar shall not be required to exceed 30 inches (760 mm) in length.
2. Where the side walls are greater than 72 inches apart the side grab bar is not required on the wall furthest from the horizontal bar.

**608.3.2.6 Vertical grab bar.** A vertical grab bar 18 inches (455 mm) minimum in length shall be provided on the end wall 3 inches (75 mm) minimum and 6 inches (150 mm) maximum above the horizontal grab bar, and 4 inches (100 mm) maximum inward from the front edge of the shower.

**608.4 Controls and hand showers.** Controls and hand showers shall comply with Sections 608.4 and 309.4.

**608.4.2 Standard roll-in showers.** In standard roll-in showers with seat, the controls and hand shower shall not be located above the seat. Controls and hand showers shall be located according to the following:

1. On the back wall,
2. At a height of 38 inches (965 mm) minimum and 48 inches (1220 mm) maximum above the shower floor and
3. 16 inches (405 mm) minimum and 27 inches (685 mm) maximum from the wall behind the seat.

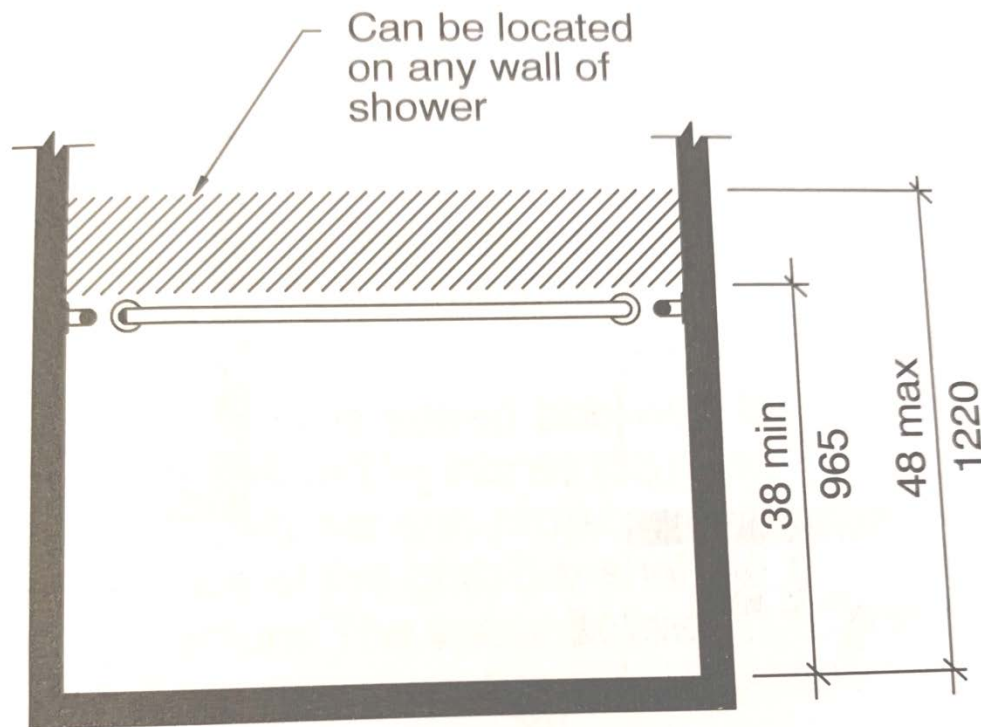


**FIGURE 608.4.2**  
**STANDARD ROLL-IN-TYPE SHOWER WITH SEAT**  
**CONTROLS AND HAND SHOWER LOCATION**

**608.4.3 Standard roll-in showers.** In standard roll-in showers with no seat, the controls and hand showers shall be located according to the following:

1. On the back wall or side walls.

2. At a height of 38 inches (965 mm) minimum and 48 inches (1220 mm) maximum above the shower floor.



**FIGURE 608.4.3**  
**STANDARD ROLL-IN-TYPE SHOWER WITH NO SEAT**  
**CONTROLS AND HAND SHOWER LOCATION**

**REASON:** The purpose of this proposal is to bring back the option of the roll-in shower without seats to some residential or institutional occupancies. This is permitted in the 2010 ADA. Since we made this change there has been questions about allowing for this option where people are likely to have their own seats. While we did have a work group looking at assisted toileting and bathing, the scoping is only for some rooms in assisted living, nursing homes and rehabilitation hospitals. This option should be available in other living situations such as group homes or within Type A units.

## **06-62 – 2021 Modification**

**Proponent:** Kimberly Paarlberg, International Code Council

**Further revise as follows:**

**608.3.2.4 Back-wall grab bar.** In standard roll-in type showers with no seat, a grab bar shall be provided on the back wall. The back-wall grab bar shall extend the length of the wall and extend within 6 inches (150 mm) maximum from the adjacent side walls.

**Exceptions:**

1. The back wall grab bar shall not be required to exceed 48 inches (1220 mm) in length-

2. ~~The and one end of the back-wall grab bar is not required to extend~~ is located within 6 inches (150 mm) of ~~one of the adjacent side wall that also has a horizontal grab bar walls if it would require the grab bar length to exceed 48 inches (1220 mm) in length.~~

**608.3.2.5 Side-wall grab bars.** A grab bar shall be provided on the side-walls. The side wall grab bar shall extend the length of the wall and extend within 6 inches (150 mm) maximum from the adjacent back wall.

**Exceptions:**

1. The side-wall grab bar shall not be required to exceed 30 inches (760 mm) in length and one end of the side-wall grab bar is located within 6 inches of the rear wall.
2. Where the side walls are greater than 72 inches apart, one of the side wall grab bars is not required ~~on the wall furthest from the horizontal bar.~~

---

**Reason:** The allowance for a larger shower has developed in the A117.1 since the three grab bar option was removed from the ICC A117.1, thus the need for the exceptions that were not there before. The intent it to have two grab bars in the same corner. Best practice would have this closest to the fixed shower head or hand held shower, but where that is located will vary so much the requirements should not be measured from that location. The modification is proposed to be revised for consistency with the language in Proposal 06-84-2021 (Section 611.7.4.1) and based on suggestions for improvement for the language.

---

Committee Action: As Modified 29-0-0  
modification to change 'and' to 'where' 23-1-3

**REPORT OF HEARING:**

**Modification (if any):**

**Further modify published modification:**

**608.3.2.4 Back-wall grab bar.** In standard roll-in type showers with no seat, a grab bar shall be provided on the back wall. The back-wall grab bar shall extend the length of the wall and extend within 6 inches (150 mm) maximum from the adjacent side walls.

**Exceptions:**

1. The back wall grab bar shall not be required to exceed 48 inches (1220 mm) in length and where one end of the back-wall grab bar is located within 6 inches (150 mm) of the adjacent side wall that also has a horizontal grab bar.

**608.3.2.5 Side-wall grab bars.** A grab bar shall be provided on the side-walls. The side wall grab bar shall extend the length of the wall and extend within 6 inches (150 mm) maximum from the adjacent back wall.

**Exceptions:**

1. The side-wall grab bar shall not be required to exceed 30 inches (760 mm) in length and where one end of the side-wall grab bar is located within 6 inches of the rear wall.
2. Where the side walls are greater than 72 inches apart, one of the side wall grab bars is not required.

**Committee Reason:** The modifications, both the published modification and the committee modification, is for consistency with the language in Proposal 06-84-2021 (Section 611.7.4.1) and based on suggestions for improvement for the language. The option for showers with three grab bars and no seat should be permitted in occupancies other than transient lodging. This would work well in care facilities, hospitals, group homes and Type A units.

**Staff note:** The following additional modifications would be required to coordinate with 06-80.

**608.3.2.4 Back-wall grab bar.** In standard roll-in type showers with no seat, a grab bar shall be provided on the back wall. The back-wall grab bar shall extend the length of the wall and extend within 6 inches (150 mm) maximum from the adjacent side walls.

**Exception:** The back wall grab bar shall not be required to exceed 48 inches (1220 mm) in length and shall be located with where one end ~~of the back-wall grab bar is located~~ within 6 inches (150 mm) of the adjacent side walls that also has a horizontal grab bar.

**608.3.2.5 Side-wall grab bars.** A grab bar shall be provided on the side-walls. The side wall grab bar shall extend the length of the wall beginning 4 inches (100 mm) maximum from the front edge of the shower compartment and extend within 6 inches (150 mm) maximum from the adjacent back wall.

**Exceptions:**

1. The side-wall grab bar shall not be required to exceed 30 inches (760 mm) in length and shall be located with where one end ~~of the side-wall grab bar is located~~ within 6 inches of the ~~rear~~ adjacent back wall.
2. Where the side walls are greater than 72 inches apart, one of the side wall grab bars is not required.

608.2.2-PAARLBERG.doc

## 06-62 – 2021 Ballot Comments

### BALLOT COMMENT 1- FIRST DRAFT:

Proponent: *Kimberly Paarlberg, ICC*

Desired Action: Affirmative with comment

Modification: See Ballot Comment 1

## 06-62 – 2021 Ballot Comment 1

### 608.3.3.4, 608.3.3.5

**Proponent: Kimberly Paarlberg, ICC**

**Further modify as shown in red.**

### SECTION 608 SHOWER COMPARTMENTS

#### 608.3.3 Standard roll-in-type showers.....

#### 06-62-21 AM 06-80-2021 AM coordination

**608.3.3.4 Back-wall grab bar.** In standard roll-in type showers with no seat, a grab bar shall be provided on the back wall. The back-wall grab bar shall extend the length of the wall and extend within 6 inches (150 mm) maximum from the adjacent side walls.

**Exception:** The back wall grab bar shall not be required to exceed 48 inches (1220 mm) in length and shall be located with where one end of the back wall grab bar is located within 6 inches (150 mm) of the adjacent side walls that also has a horizontal grab bar.

**06-62-21 AM 06-80-2021 AM coordination**

**608.3.3.5 Side-wall grab bars.** A grab bar shall be provided on the side-walls. The side wall grab bar shall extend the length of the wall beginning 4 inches (100 mm) maximum from the front edge of the shower compartment and extend within 6 inches (150 mm) maximum from the adjacent back wall.

**Exceptions:**

1. The side-wall grab bar shall not be required to exceed 30 inches (760 mm) in length and shall be located with where one end of the side wall grab bar is located within 6 inches of the rear adjacent back wall.
2. Where the side walls are greater than 72 inches apart, one of the side wall grab bars is not required.

---

**REASON:** This is the change to allow for the roll-in shower with three grab bars. See 06-47-2021 (controls) for coordination for controls. This is a proposed coordination 06-80-2021 (grab bar measurement). The modifications, both the published modification and the committee modification, is for consistency with the language in Proposal 06-84-2021 (Section 611.7.4.1) and based on suggestions for improvement for the language. The option for showers with three grab bars and no seat should be permitted in occupancies other than transient lodging. This would work well in care facilities, hospitals, group homes and Type A units.

---

**Committee Action for Ballot Comment 1:**

**REPORT OF HEARING:**

**Modification (if any):**

**Committee Reason:**

06-62 Paarlberg.doc

---

**06-62 – 2021 Public Comment 1**

**608.2.3.2**

**Proponent:** Marsha Mazz, representing the Terminology Task Group

**Further revise as follows:**

**SECTION 608  
SHOWER COMPARTMENTS**

**608.2.3.2 Maneuvering Clearance.** A maneuvering clearance at the shower compartment of 60 inches (1525 mm) minimum in length adjacent to the 60-inch (1525 mm) width of the open face of the shower compartment, and 30 inches (760 mm) minimum in depth, shall be provided.

**Exceptions:**

1. A lavatory complying with Section 606 shall be permitted at the end of the maneuvering clearance at the shower compartment opposite the seat.
2. Where no seat is provided, the lavatory complying with Section 606 shall be permitted at either end of the maneuvering clearance at the shower compartment.

**Figure 608.2.3.2(A)**

**MANUEVERING CLEARANCE AT THE STANDARD ROLL-IN-TYPE SHOWER COMPARTMENT WITH A SEAT CLEARANCE**

**FIGURE 608.2.2.2(B)**

**MANUEVERING CLEARANCE AT STANDARD ROLL-IN-TYPE SHOWER COMPARTMENT WITH NO SEAT CLEARANCE**

**REASON:** This is part of a proposal from the Terminology task group to define the building blocks so that a reference is not required. This public comment is included here because it was part of new text. Please see the complete proposal for additional information.

**Committee Action for Public comment 1:**

**REPORT OF HEARING:**

**Modification (if any):**

**Committee Reason:**

06-62 Terminology.doc

**Committee Action for First Ballot:**

**REPORT OF HEARING:**

**Modification (if any):**

**Committee Reason:**

<b>Report for 06-62– 2021</b>		
<i>Committee decision: AM</i>	<i>Committee Vote at Meeting: 23-1-3</i>	<i>Committee Vote on Ballot:39-1-1</i>
<p><b>REPORT OF HEARING:</b>            Modification (if any):            Further revise as follows:</p> <p><b>608.3.2.4 Back-wall grab bar.</b> In standard roll-in type showers with no seat, a grab bar shall be provided on the back wall. The back-wall grab bar shall extend the length of the wall and extend within 6 inches (150 mm) maximum from the adjacent side walls.</p> <p><b>Exceptions:</b></p> <ol style="list-style-type: none"> <li>1. The back wall grab bar shall not be required to exceed 48 inches (1220 mm) in length.</li> <li>2. <del>The where one end of the back-wall grab bar is not required to extend is located</del> within 6 inches (150 mm) of one of the adjacent side wall that also has a horizontal grab bar walls if it would require the grab bar length to exceed 48 inches (1220 mm) in length.</li> </ol> <p><b>608.3.2.5 Side-wall grab bars.</b> A grab bar shall be provided on the side-walls. The side wall grab bar shall extend the length of the wall and extend within 6 inches (150 mm) maximum from the adjacent back wall.</p> <p><b>Exceptions:</b></p> <ol style="list-style-type: none"> <li>3. The side-wall grab bar shall not be required to exceed 30 inches (760 mm) in length <u>where one end of the side-wall grab bar is located within 6 inches of the rear wall.</u></li> <li>4. Where the side walls are greater than 72 inches apart, <u>one of the side wall grab bar bars</u> is not required on the wall furthest from the horizontal bar.</li> </ol> <p>Committee Reason: The modifications, both the published modification and the committee modification, was to clarify the requirements for grab bars in a shower that is larger than the typical size. The option for showers with three grab bars and no seat should be permitted in occupancies other than transient lodging. This would work well in care facilities, hospitals, group homes and Type A units.</p>		

## Report for 06-62– 2021

**Staff note:** The following additional modifications would be required to coordinate with 06-80.

**608.3.2.4 Back-wall grab bar.** In standard roll-in type showers with no seat, a grab bar shall be provided on the back wall. The back-wall grab bar shall extend the length of the wall and extend within 6 inches (150 mm) maximum from the adjacent side walls.

**Exception:** The back wall grab bar shall not be required to exceed 48 inches (1220 mm) in length and shall be located with where one end of the back-wall grab bar is located within 6 inches (150 mm) of the adjacent side walls that also has a horizontal grab bar.

**608.3.2.5 Side-wall grab bars.** A grab bar shall be provided on the side-walls. The side wall grab bar shall extend the length of the wall beginning 4 inches (100 mm) maximum from the front edge of the shower compartment and extend within 6 inches (150 mm) maximum from the adjacent back wall.

**Exceptions:**

- 1.The side-wall grab bar shall not be required to exceed 30 inches (760 mm) in length and shall be located with where one end of the side-wall grab bar is located within 6 inches of the rear adjacent back wall.
- 2.Where the side walls are greater than 72 inches apart, one of the side wall grab bars is not required.

### BALLOT COMMENT 1- FIRST DRAFT:

Proponent: *Kimberly Paarlberg, ICC*

Desired Action: Affirmative with comment

Modification:

**Further modify as shown in red.**

**608.3.3 Standard roll-in-type showers.....**

**06-62-21 AM 06-80-2021 AM coordination**

**608.3.3.4 Back-wall grab bar.** In standard roll-in type showers with no seat, a grab bar shall be provided on the back wall. The back-wall grab bar shall extend the length of the wall and extend within 6 inches (150 mm) maximum from the adjacent side walls.

**Exception:** The back wall grab bar shall not be required to exceed 48 inches (1220 mm) in length and shall be located with where one end of the back-wall grab bar is located within 6 inches (150 mm) of the adjacent side walls that also has a horizontal grab bar.

**06-62-21 AM 06-80-2021 AM coordination**

**608.3.3.5 Side-wall grab bars.** A grab bar shall be provided on the side-walls. The side wall grab bar shall extend the length of the wall beginning 4 inches (100 mm) maximum from the front edge of the shower compartment and extend within 6 inches (150 mm) maximum from the adjacent back wall.

**Exceptions:**

- 1.The side-wall grab bar shall not be required to exceed 30 inches (760 mm) in length and shall be located with where one end of the side-wall grab bar is located within 6 inches of the rear adjacent back wall.
- 2.Where the side walls are greater than 72 inches apart, one of the side wall grab bars is not required.

Reason: This is the change to allow for the roll-in shower with three grab bars. See 06-47-2021 (controls) for coordination for controls.

This is a prosed coordination 06-80-2021 (grab bar measurement).

The modifications, both the published modification and the committee modification, is for consistency with the language in Proposal 06-84-2021 (Section 611.7.4.1) and based on suggestions for improvement for the language. The option for showers with three grab bars and no seat should be permitted in occupancies other than transient lodging. This would work well in care facilities, hospitals, group homes and Type A units.

**Committee decision: AS/AM/D**

**Committee Vote at Meeting:**

**Committee Vote on Ballot:**

### REPORT OF HEARING – FIRST DRAFT

Modification (if any):

Committee Reason:

### BALLOT COMMENT- SECOND DRAFT:

Proponent:

Desired Action:

Modification:

Reason:

**Committee decision: AS/AM/D**

**Committee Vote at Meeting:**

**Committee Vote on Ballot:**

### FINAL ACTION:

Modification (if any):

Committee Reason:

## 06-64 – 2021 overview

Proposal number	Proponent	Standard Sections	Committee Actions	Mtg. Date	Notes; Groups; groupings
06-64	Anderson – Accessible bathing	608.2.2.1	AS 20-1-3	11-03-22	Bathing

Comment	Proponent	Requested Action	Committee Action	Mtg. Date	Notes; Groups; groupings
BC1	Pace, HUD	Affirmative			

BC= Ballot Comment, PC= Public comment, **Bold Comment number** is proposed revision below

## 06-64 – 2021 608.2.2.1

**Proponent:** Doug Anderson, representing A117.1 Accessible Bathing Task Group

**Revise as follows:**

### SECTION 608 SHOWER COMPARTMENTS

**608.1 General.** Shower compartments shall comply with Section 608.

**608.2 Size, clearance and seat.** Shower compartments shall have sizes, clearances and seats complying with Section 608.2.

**608.2.1 Transfer-type shower compartments.** Transfer-type shower compartments shall comply with Section 608.2.1.

**608.2.2.1 Size.** Standard roll-in-type shower compartments shall have a clear inside dimension of 60 inches (1525 mm) minimum in width and 30 inches (760 mm) minimum in depth, measured at the center point of opposing sides. An entry 60 inches (1525 mm) minimum in width shall be provided.

**Exception.** Where an existing bathtub is replaced by a roll-in-type shower, the width of the shower shall be permitted to be 57.5 inches (1460 mm) minimum, provided that compliance with Section 608.2.2.1 would require an expansion in the overall size of the bathroom or would disturb the structural reinforcement of the floor slab.

---

**REASON:** This proposal is seeking to acknowledge the standard tub rough opening will not accommodate a 60” clear interior width for a roll-in shower.

The original roll-in shower size was intended to replace a tub. Tub rough opening does not allow for a finished 30x60 interior. This would achieve the original intent and allow for a more accessible bathing fixture without as extensive retrofits.

---

Committee Action: As submitted 20-1-3



**REPORT OF HEARING:**

**Modification (if any):**

**Committee Reason:** The committee agreed that the original intent for roll-in shower size was to replace a tub. Tub rough opening for a tub does not allow for a finished 30x60 interior. This would achieve the original intent and allow for a more accessible bathing fixture without extensive retrofits.

608.2.2.1#3-ANDERSON.doc

**06-64 – 2021 Ballot Comments**

<b>BALLOT COMMENT 1- FIRST DRAFT:</b>
Proponent: <i>Rex Pace, HUD</i>
Desired Action: Affirmative with comment
Modification:
Reason: The exception is reasonable and in that regard is supported. However, such an approach is already acceptable in considerations of changes that would be considered as not technically feasible or similar analysis under structurally impracticable, to the maximum extent feasible, and the like for alterations projects. The proposed exception is supported for clarity and efficiency rather than a current prohibition.

**Committee Action for First Ballot:**

**REPORT OF HEARING:**

**Modification (if any):**

**Committee Reason:**

<b>Report for 06-64– 2021</b>		
<i>Committee decision: AS</i>	<i>Committee Vote at Meeting: 20-1-3</i>	<i>Committee Vote on Ballot:39-1-1</i>
<b>REPORT OF HEARING:</b>		
Modification (if any):		
Committee Reason: The committee agreed that the original intent for roll-in shower size was to replace a tub. Tub rough opening for a tub does not allow for a finished 30x60 interior. This would achieve the original intent and allow for a more accessible bathing fixture without extensive retrofits.		
<b>BALLOT COMMENT 1- FIRST DRAFT:</b>		
Proponent: <i>Rex Pace, HUD</i>		
Desired Action: Affirmative with comment		
Modification:		
Reason: The exception is reasonable and in that regard is supported. However, such an approach is already acceptable in considerations of changes that would be considered as not technically feasible or similar analysis under structurally impracticable, to the maximum extent feasible, and the like for alterations projects. The proposed exception is supported for clarity and efficiency rather than a current prohibition.		
<i>Committee decision: AS/AM/D</i>	<i>Committee Vote at Meeting:</i>	<i>Committee Vote on Ballot:</i>
<b>REPORT OF HEARING – FIRST DRAFT</b>		
Modification (if any):		
Committee Reason:		
<b>BALLOT COMMENT- SECOND DRAFT:</b>		
Proponent:		
Desired Action:		
Modification:		
Reason:		
<i>Committee decision: AS/AM/D</i>	<i>Committee Vote at Meeting:</i>	<i>Committee Vote on Ballot:</i>
<b>FINAL ACTION:</b>		

<b>Report for 06-64- 2021</b>
Modification (if any):
Committee Reason:

---

## 06-65 – 2021 overview

Proposal number	Proponent	Standard Sections	Committee Actions	Mtg. Date	Notes; Groups; groupings
06-65	Boecker	608.2.3.2 (New)	AM 24-0-0	11-03-22	Bathing related

Comment	Proponent	Requested Action	Committee Action	Mtg. Date	Notes; Groups; groupings
BC1	Dain, AIA	Negative			
<b>PC1</b>	Terminology	AM			Editorial

BC= Ballot Comment, PC= Public comment, **Bold Comment number** is proposed revision below

## 06-65 – 2021

### 608.2.3.2(New)

**Proponent:** Gene Boecker, Code Consultants, Inc.

**Add new text as follows:**

#### SECTION 608 SHOWER COMPARTMENTS

#### 608.2.3 Alternate roll-in shower compartments.....

**608.2.3.2 Clearance.** The clearance outside the entry to an alternate roll-in type shower shall comply with the door maneuvering clearances in Section 404.2.3.4.

---

**REASON:** The standard does not indicate a clear floor space for accessible the alternate roll-in shower. In prior editions, the approach would have to be one with a minimum 36-inch accessible route. Because the opening for the alternate roll-in shower is to allow passage so that a seat transfer can occur, the opening is more like that of a door. The provisions would allow for a clear floor space to be provided to make such a passage (similar to Figure 404.2.3.4(A) or 404.2.3.4(C) depending on the approach).

---

## 06-65 – 2021 Modification

### 608.2.3.2(New)

**Proponent:** Gene Boecker, Code Consultants, Inc.

**Further revise follows:**

#### SECTION 608 SHOWER COMPARTMENTS

#### 608.2.3 Alternate roll-in shower compartments.....

**608.2.3.2 Clearance.** ~~The~~ A clearance shall be provided outside the entry to an alternate roll-in type shower shall ~~comply~~ complying with the door maneuvering clearances in ~~Section~~ Table 404.2.3.4.

---

**REASON:** The intent of this modification is to meet the same intent of the original proposal and remove a possible mis-interpretation.

The proposal as written could be interpreted to allow for an opening on less than 36". The text in Section 404.2.3.4 says "Doorways without doors or gates that are less than 36 inches...". The modification would specifically ask for the clearance based on direction the shower was accessed. Therefore the 36" opening in Section 608.2.3.1 would control.

---

Committee Action: As modified 24-0-0

**REPORT OF HEARING:**

**Modification (if any):**

**Further revise follows:**

**608.2.3.2 Clearance.** ~~The~~ A clearance shall be provided outside the entry to an alternate roll-in type shower shall ~~comply~~ complying with the door maneuvering clearances in ~~Section~~ Table 404.2.3.4.

**Committee Reason:** The proposal will provide adequate clearance outside the shower opening for access through the shower opening.

**608.2.3.2-BOECKER.doc**

---

## 06-65 – 2021 Ballot Comments

<b>BALLOT COMMENT 1- FIRST DRAFT:</b>
Proponent: <i>Daniel Dain, AIA</i>
Desired Action: Negative with comment
Modification:
Reason: This is confusing, is there a door? If there is, then say "Where a door is provided..." If there is not, then don't reference door clearances, simply provide the desired clearances. Otherwise, I see "door" in the text and I don't have a door so I assume this doesn't apply or I'm wondering if the same clearances apply because I have an opening. A series of figures may be required. Section 608.7 does not address shower doors so are any door clearances required when provided?

---

## 06-65 – 2021 Public Comment 1

### 608.2.4.2

**Proponent:** Marsha Mazz, representing the Terminology Task Group

**Further revise as follows:**

**SECTION 608  
SHOWER COMPARTMENTS**

**608.2.4.2 Maneuvering Clearance.** A door maneuvering clearance shall be provided outside the entry to an alternate roll-in type shower complying with ~~the door maneuvering clearances in~~ Table 404.2.3.4.

**REASON:** This is part of a proposal from the Terminology task group to define the building blocks so that a reference is not required. This public comment is included here because it was part of new text. Please see the complete proposal for additional information.

**Committee Action for Public Comment 1:**

**REPORT OF HEARING:**

**Modification (if any):**

**Committee Reason:**

**06-65 Terminology.doc**

**Committee Action for First Ballot:**

**REPORT OF HEARING:**

**Modification (if any):**

**Committee Reason:**

<b>Report for 06-65 – 2021</b>		
<i>Committee decision: AM</i>	<i>Committee Vote at Meeting: 24-0-0</i>	<i>Committee Vote on Ballot:39-1-1</i>
<b>REPORT OF HEARING:</b>		
Modification (if any):		
Further revise follows:		
608.2.3.2 Clearance. <del>The A</del> clearance shall be provided outside the entry to an alternate roll-in type shower <del>shall comply complying</del> with the door maneuvering clearances in <del>Section Table</del> 404.2.3.4.		
Committee Reason: The proposal will provide adequate clearance outside the shower opening for access through the shower opening.		
<b>BALLOT COMMENT 1- FIRST DRAFT:</b>		
Proponent: <i>Daniel Dain, AIA</i>		
Desired Action: Negative with comment		
Modification:		
Reason: This is confusing, is there a door? If there is, then say "Where a door is provided..." If there is not, then don't reference door clearances, simply provide the desired clearances. Otherwise, I see "door" in the text and I don't have a door so I assume this doesn't apply or I'm wondering if the same clearances apply because I have an opening. A series of figures may be required. Section 608.7 does not address shower doors so are any door clearances required when provided?		
<i>Committee decision: AS/AM/D</i>	<i>Committee Vote at Meeting:</i>	<i>Committee Vote on Ballot:</i>
<b>REPORT OF HEARING – FIRST DRAFT</b>		
Modification (if any):		
Committee Reason:		
<b>BALLOT COMMENT- SECOND DRAFT:</b>		
Proponent:		
Desired Action:		
Modification:		

**Report for 06-65 – 2021**

Reason:

**Committee decision: AS/AMD**

**Committee Vote at Meeting:**

**Committee Vote on Ballot:**

**FINAL ACTION:**

Modification (if any):

Committee Reason:

## 06-67 – 2021 overview

Proposal number	Proponent	Standard Sections	Committee Actions	Mtg. Date	Notes; Groups; groupings
06-67	Anderson – Accessible bathing	608.4.1, Figure 608.4.1	AM 26-0-0	10-20-22	Bathing

Comment	Proponent	Requested Action	Committee Action	Mtg. Date	Notes; Groups; groupings
BC1	Dain, AIA	Affirmative			
BC2	Paarlberg, ICC	Affirmative			

BC= Ballot Comment, PC= Public comment, **Bold Comment number** is proposed revision below

## 06-67 – 2021

### 608.4.1, Figure 608.4.1

**Proponent:** Doug Anderson, representing A117.1 Accessible Bathing Task Group

**Revise as follows:**

#### SECTION 608 SHOWERS

**608.4.1 Transfer-type showers.** In transfer-type showers, the controls and hand shower shall be located:

1. On the control wall opposite the seat.
2. Hand showers can be located at ~~A~~ a height of 38 inches (965 mm) minimum and 48 inches (1220 mm) maximum above the shower floor, ~~and~~
3. Controls can be located at a height of 27 inches (686 mm) minimum and 48 inches (1220 mm) maximum above the shower floor, and
3. 4. 15 inches (380 mm) maximum, from the centerline of the control wall toward the shower opening.

*Note: Revise figure to include additional control location.*

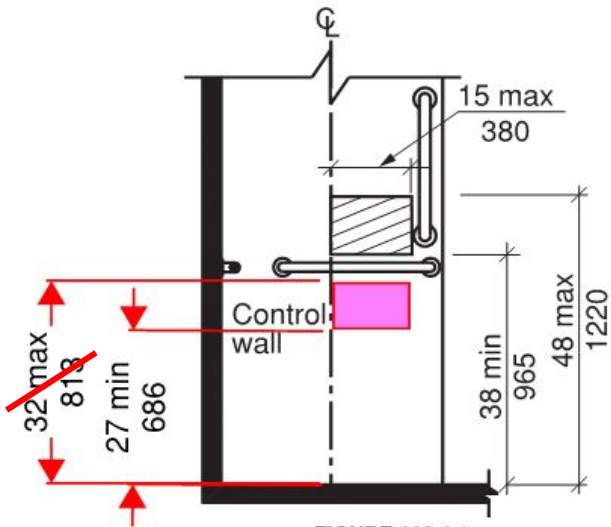


FIGURE 608.4.1  
TRANSFER-TYPE SHOWER CONTROLS AND  
HAND SHOWER LOCATION

**REASON:** This proposal provides an alternate location for hand controls under the required grab bars would help users and reduce the risk of fall. Section 609.3 would require the entire control to be 1-1/2" above or below the grab bar. This would be consistent with the approach used for bathtub controls below the grab bar.

Committee Action: Modification to add this same allowance to Section 608.4.3 Item 3 26-0-0  
Approved as Modified – 26-0-0

## REPORT OF HEARING:

### Modification (if any):

### Further revise as follows:

*Note: This proposal and modification will be coordinated with 06-47-2021 AM*

**608.4.3 Alternate roll-in showers.** In alternate roll-in showers, the controls and hand shower shall be located in accordance with one of the following:

1. ~~At a height of 38 inches (965 mm) minimum and 48 inches (1220 mm) maximum above the shower floor, and~~
- 1.2. Where the controls and hand shower are located on the end wall adjacent to the seat, the controls and hand shower shall be located:
  - 1.1. At a height of 38 inches (965 mm) minimum and 48 inches (1220 mm) maximum above the shower floor
  - 1.2. 16 inches (405 mm) minimum and 27 inches (685 mm) maximum from the wall behind the seat wall, or
- 2.3. Where the controls and hand shower are located on the back wall opposite the seat,
  - 2.1. Hand showers can be located at a height of 38 inches (965 mm) minimum and 48 inches (1220 mm) maximum above the shower floor.
  - 2.2. Controls can be located at a height of 27 inches (686 mm) minimum and 48 inches (1220 mm) maximum above the shower floor, and
  - 2.3. the controls and hand shower shall be located within 15 inches (380 mm) maximum from the centerline of the seat toward the transfer space.



**Committee Reason:** The modification was to increase the locations permitted for controls for the wall across from the seat in alternate roll-in showers the same as the proposal for transfer showers. The committee felt that this increased area for controls is within reach of the seat and would not obstruct knee clearances. Under the grab bar is consistent with tub controls, so it should be reachable. This expansion of control areas needs to be coordinated with the allowances approved by the replacement to 06-47 – so the committee approved the intent understanding this will look different in the final draft since controls and hand shower locations are not split into two sections.

608.4.1-ANDERSON.doc

## 06-67 – 2021 Ballot Comments

### BALLOT COMMENT 1- FIRST DRAFT:

Proponent: *Daniel Dain, AIA*

Desired Action: Affirmative with comment

Modification:

Reason: It's not explained why the controls and hand shower requirements are different from one another.

### BALLOT COMMENT 2- FIRST DRAFT:

Proponent: *Kimberly Paarlberg, ICC*

Desired Action: Affirmative with comment

Modification:

Reason: See 06-47 for correlation

### Committee Action for First Ballot:

### REPORT OF HEARING:

### Modification (if any):

### Committee Reason:

#### Report for 06-67– 2021

Committee decision: AM

Committee Vote at Meeting: 26-0-0

Committee Vote on Ballot: 38-2-1

#### REPORT OF HEARING:

Modification (if any):

#### Further revise as follows:

Note: This modification will be coordinated with 06-47-2021 AM

**608.4.3 Alternate roll-in showers.** In alternate roll-in showers, the controls and hand shower shall be located in accordance with one of the following::

1. At a height of 38 inches (965 mm) minimum and 48 inches (1220 mm) maximum above the shower floor, and
- 1.2. Where the controls and hand shower are located on the end wall adjacent to the seat, the controls and hand shower shall be located:
  - 1.1. At a height of 38 inches (965 mm) minimum and 48 inches (1220 mm) maximum above the shower floor
  - 1.2. 16 inches (405 mm) minimum and 27 inches (685 mm) maximum from the wall behind the seat wall, or
- 2.3. Where the controls and hand shower are located on the back wall opposite the seat,
  - 2.1. Hand showers can be located at a height of 38 inches (965 mm) minimum and 48 inches (1220 mm) maximum above the shower floor.
  - 2.2. Controls can be located at a height of 27 inches (686 mm) minimum and 48 inches (1220 mm) maximum above the shower floor, and
  - 2.3. the controls and hand shower shall be located within 15 inches (380 mm) maximum from the centerline of the seat toward the transfer space.

**Report for 06-67– 2021**

Committee Reason: The modification was to increase the locations permitted for controls for the wall across from the seat in alternate roll-in showers the same as the proposal for transfer showers. The committee felt that this increased area for controls is within reach of the seat and would not obstruct knee clearances. Under the grab bar is consistent with tub controls, so it should be reachable. This expansion of control areas needs to be coordinated with the allowances approved by the replacement to 06-47 – so the committee approved the intent understanding this will look different in the final draft since controls and hand shower locations are not split into two sections.

**BALLOT COMMENT 1- FIRST DRAFT:**

Proponent: *Daniel Dain, AIA*

Desired Action: Affirmative with comment

Modification:

Reason: It's not explained why the controls and hand shower requirements are different from one another.

**BALLOT COMMENT 2- FIRST DRAFT:**

Proponent: *Kimberly Paarlberg, ICC*

Desired Action: Affirmative with comment

Modification:

Reason: See 06-47 for correlation

**Committee decision: AS/AM/D**

**Committee Vote at Meeting:**

**Committee Vote on Ballot:**

**REPORT OF HEARING – FIRST DRAFT**

Modification (if any):

Committee Reason:

**BALLOT COMMENT- SECOND DRAFT:**

Proponent:

Desired Action:

Modification:

Reason:

**Committee decision: AS/AM/D**

**Committee Vote at Meeting:**

**Committee Vote on Ballot:**

**FINAL ACTION:**

Modification (if any):

Committee Reason:

## 06-69 – 2021 overview

Proposal number	Proponent	Standard Sections	Committee Actions	Mtg. Date	Notes; Groups; groupings
06-69	Reed	608.5	AS 20-13-0 D 20-3-0	10-20-22	Bathing related – Divide question 2 <sup>nd</sup> and new sentence

Comment	Proponent	Requested Action	Committee Action	Mtg. Date	Notes; Groups; groupings
BC1	Thompson, PMI	Negative			

BC= Ballot Comment, PC= Public comment, **Bold Comment number** is proposed revision below

## 06-69 – 2021

### 608.5

**Proponent:** Hope Reed, ADA Accessibility Consultant, representing self

**Revise as follows:**

#### SECTION 608 SHOWERS

**608.5 Hand showers.** A hand shower with a hose 59 inches (1500mm) minimum in length, that can be used both as a fixed shower head and as a hand shower, shall be provided. The hand shower shall have a control with a nonpositive shut-off feature that complies with 309.4. Where provided, an adjustable-height hand shower mounted on a vertical bar shall be installed so as not to obstruct the use of grab bars. A means to hold the shower wand while in the on or off position shall be located at a height of 38 inches (965 mm) minimum and 48 inches (1220 mm) maximum above the shower floor. The hand shower wand shall be configured to allow adjustment of the water spray direction and limit rotation during use.

**Exception:** In other than Accessible units and Type A units, a fixed shower head located 48 inches (1220 mm) maximum above the shower floor shall be permitted in lieu of a hand shower.

**REASON:** The hose for hand shower wands is usually twisted and when water pressure comes on it becomes even more twisted. When the spray wand is attached to a vertical bar and water is turned on it may then rotate even further within the mounting. A round mount and round spray wand handle cannot be secured, especially when wet. Often the spray wand can spray in only one direction from its attachment. A person with disabilities who stands while showering may have to hover in the back corner and get only a small, small portion of the spray, or they may have to stand where they can block the water from spraying out into the room. *See alternate proposal we provided with 608.S(b).*

Committee Action: The proposal was slit between the revisions to the 2<sup>nd</sup> and the new 4<sup>th</sup> sentence.

Part 1 – Revision to 2<sup>nd</sup> sentence – AS 11-9-1

Part 2 – Addition of 4<sup>th</sup> sentence – D 20-3-0

**REPORT OF HEARING:**

**Modification (if any):**

**Replace with the following:**

**608.5 Hand showers.** A hand shower with a hose 59 inches (1500mm) minimum in length, that can be used both as a fixed shower head and as a hand shower, shall be provided. The hand shower shall have a control with a nonpositive shut-off feature that complies with 309.4. Where provided, an adjustable-height hand shower mounted on a vertical bar shall be installed so as not to obstruct the use of grab bars. A means to hold the shower wand while in the on or off position shall be located at a height of 38 inches (965 mm) minimum and 48 inches (1220 mm) maximum above the shower floor.

**Exception:** In other than Accessible units and Type A units, a fixed shower head located 48 inches (1220 mm) maximum above the shower floor shall be permitted in lieu of a hand shower.

**Committee Reason:** The committee felt that it was appropriate to ask for a non-positive shut off valve to meet Section 309.4 instead of all of Section 309 since the shower head is intended to be hand held and not fixed. There was a discussion about if specific provisions over ride general requirements or not. The intent is that the more specific provisions would override the general provisions for operable parts (i.e., clear floor space, reach, and operation).

The addition of the last sentence was disapproved because the committee felt that the language was too open for interpretation and unenforceable.

608.5a-REED.doc

---

## 06-69 – 2021 Ballot Comments

<b>BALLOT COMMENT FIRST DRAFT:</b>
Proponent: <i>Kyle Thompson, PMI</i>
Desired Action: Negative with comment
Modification:
Reason: Reference to Section 309.4 is not necessary. This section is applicable throughout the A117.1 document (Chapters 4 through 11). Each time a general overriding requirement is re-referenced within any standard it is redundant and dilutes from the overall application of those general requirement.

---

**Committee Action for First Ballot:**

**REPORT OF HEARING:**

**Modification (if any):**

**Committee Reason:**

<b>Report for 06-69– 2021</b>		
<i>Committee decision: AS &amp; D</i>	<i>Committee Vote at Meeting: 11-9-1 &amp; 20-3-0</i>	<i>Committee Vote on Ballot:30-1-1</i>
<b>REPORT OF HEARING:</b> Modification (if any): <b>Replace with the following:</b> <b>608.5 Hand showers.</b> A hand shower with a hose 59 inches (1500mm) minimum in length, that can be used both as a fixed shower head and as a hand shower, shall be provided. The hand shower shall have a control with a nonpositive shut-off feature <u>that complies with 309.4</u> . Where provided, an adjustable-height hand shower mounted on a vertical bar shall be installed so as not to obstruct the use of grab bars. A means to hold the shower wand while in the on or off position shall be located at a height of 38 inches (965 mm) minimum and 48 inches (1220 mm) maximum above the shower floor. <b>Exception:</b> In other than Accessible units and Type A units, a fixed shower head located 48 inches (1220 mm) maximum above the shower floor shall be permitted in lieu of a hand shower.		

**Report for 06-69– 2021**

Committee Reason: The committee felt that it was appropriate to ask for a non-positive shut off valve to meet Section 309.4 instead of all of Section 309 since the shower head is intended to be hand held and not fixed. There was a discussion about if specific provisions over ride general requirements or not. The intent is that the more specific provisions would override the general provisions for operable parts (i.e., clear floor space, reach, and operation).

The addition of the last sentence was disapproved because the committee felt that the language was too open for interpretation and unenforceable.

**BALLOT COMMENT FIRST DRAFT:**

Proponent: *Kyle Thompson, PMI*

Desired Action: Negative with comment

Modification:

Reason: Reference to Section 309.4 is not necessary. This section is applicable throughout the A117.1 document (Chapters 4 through 11). Each time a general overriding requirement is re-referenced within any standard it is redundant and dilutes from the overall application of those general requirement.

**Committee decision: AS/AM/D**

**Committee Vote at Meeting:**

**Committee Vote on Ballot:**

**REPORT OF HEARING – FIRST DRAFT**

Modification (if any):

Committee Reason:

**BALLOT COMMENT- SECOND DRAFT:**

Proponent:

Desired Action:

Modification:

Reason:

**Committee decision: AS/AM/D**

**Committee Vote at Meeting:**

**Committee Vote on Ballot:**

**FINAL ACTION:**

Modification (if any):

Committee Reason:

## 06-72 – 2021 overview

Proposal number	Proponent	Standard Sections	Committee Actions	Mtg. Date	Notes; Groups; groupings
06-72	Paarlberg	608.7, 1103.5, 1103.11.2.5, 1103.11.2.5.3(New), 1104.11.3.1.3, 1104.11.3.1.3.3, 1104.11.3.1.3.4(New), 1104.11.3.2.3, 1104.11.3.2.3.3(New)	AM 18-2-1	11-03-22	Bathing related

Comment	Proponent	Requested Action	Committee Action	Mtg. Date	Notes; Groups; groupings
BC1	Dain, AIA	Affirmative			
<b>PC1</b>	Terminology	AM			

BC= Ballot Comment, PC= Public comment, **Bold Comment number** is proposed revision below

## 06-72 – 2021

**608.7, 1103.5, 1103.11.2.5, 1103.11.2.5.3(New), 1104.11.3.1.3, 1104.11.3.1.3.3, 1104.11.3.1.3.4(New), 1104.11.3.2.3, 1104.11.3.2.3.3(New)**

**Proponent:** Kimberly Paarlberg, International Code Council

**Revise as follows:**

### SECTION 607 BATHTUBS

**607.7 Bathtub enclosures.** Enclosures for bathtubs shall not obstruct controls, faucets, shower and spray units or obstruct transfer from wheelchairs onto bathtub seats or into bathtubs. Enclosures on bathtubs shall not have tracks installed on the rim of the bathtub.

### SECTION 608 SHOWERS

**608.7 Shower enclosures.** Shower compartment enclosures for shower compartments shall not obstruct controls or obstruct transfer from wheelchairs onto shower seats. Track for enclosures on showers shall comply with the threshold requirement in Section 608.6.

### SECTION 1102 ACCESSIBLE UNITS

**1102.11.2 Toilet and bathing facility.** At least one toilet and bathing facility shall comply with Section 603. At least one lavatory, one water closet and either a bathtub or shower within the unit shall comply with

Sections 604 through 610. These toilet and bathing fixtures shall be in a single toilet/bathing area, such that travel between fixtures does not require travel through other parts of the unit.

## **SECTION 1103 TYPE A UNITS**

**1103.5 Doors and doorways.** The primary entrance door to the unit, and all other doorways intended for user passage, shall comply with Section 404.

**Exceptions:**

1. Thresholds at exterior sliding doors shall be permitted to be  $\frac{3}{4}$  inch (19 mm) maximum in height, provided they are beveled with a slope not greater than 1:2.
2. In toilet rooms and bathrooms not required to comply with Section 1103.11.2, maneuvering clearances required by Section 404.2.3 shall not be required on the toilet room or bathroom side of the door.
3. A turning space between doors in a series as required by Section 404.2.5 is not required.
4. Storm and screen doors shall not be required to comply with Section 404.2.5.
5. Communicating doors between individual sleeping units shall not be required to comply with Section 404.2.5.
6. At other than the primary entrance door, where exterior space dimensions of balconies are less than the required maneuvering clearance, door maneuvering clearance is not required on the exterior side of the door.
7. The maneuvering clearances required by Section 404 shall not be required within a closet or pantry complying with Exception 2 of Section 1103.3.2.
8. Doors that are part of a shower enclosure are not required to comply with this section.

**1103.11.2.5 Bathing fixtures.** The bathing fixture shall be a bathtub complying with Section 1103.11.2.5.1 or a shower compartment complying with Section 1103.11.2.5.2. Bathtub and shower enclosures shall comply with Section 1103.11.2.5.3.

**1103.11.2.5.1 Bathtub.** Bathtubs shall comply with Section 607.

**Exception:** Countertops and cabinetry shall be permitted at one end of the clearance, provided the following criteria are met:

1. The countertop and cabinetry can be removed;
2. The floor finish extends under the countertop and cabinetry; and
3. The walls behind and surrounding the countertop and cabinetry are finished.

**1103.11.2.5.2 Shower.** Showers shall comply with Section 608.

**Exception:** At standard roll-in shower compartments complying with Section 608.2.2, lavatories, countertops and cabinetry shall be permitted at one end of the clearance, provided the following criteria are met:

1. The countertop and cabinetry can be removed;
2. The floor finish extends under the countertop and cabinetry; and
3. The walls behind and surrounding the countertop and cabinetry are finished.

**1103.11.2.5.3 Bathtub or shower enclosures.** A bathtub or shower enclosure shall be permitted where the assembly on the side of the bathtub or shower where the clearance is provided can be removed without removal or replacement of the surrounding walls and floor to which it is affixed.

## **SECTION 1104 TYPE B UNITS (Option A and Option B)**

**1104.5.2 User passage doorways.** Doorways intended for user passage shall comply with Section 1104.5.2.

**Exception:** Doors that are part of a shower ~~door assembly enclosure~~ shall not be required to comply with this section.

**1104.11.3.1.3 Bathing fixtures.** Where provided, a bathtub shall comply with Section 1104.11.3.1.3.1 or 1104.11.3.1.3.2 and a shower compartment shall comply with Section 1104.11.3.1.3.3. Bathtub and shower enclosures shall comply with Section 1104.11.3.1.3.4.

**1104.11.3.1.3.1 Parallel approach bathtubs.** A clearance 60 inches (1525 mm) minimum in length and 30 inches (760 mm) minimum in width shall be provided in front of bathtubs with a parallel approach. Lavatories complying with Section 606 shall be permitted in the clearance. A lavatory complying with Section 1104.11.3.1.1 shall be permitted at one end of the bathtub if a clearance 48 inches (1220 mm) minimum in length and 30 inches (760 mm) minimum in width is provided in front of the bathtub.

**1104.11.3.1.3.2 Forward approach bathtubs.** A clearance 60 inches (1525 mm) minimum in length and 48 inches (1220 mm) minimum in width shall be provided in front of bathtubs with a forward approach. A water closet and a lavatory shall be permitted in the clearance at one end of the bathtub.

**1104.11.3.1.3.3 Shower compartment.** If a shower compartment is the only bathing facility, the shower compartment shall have dimensions of 36 inches (915 mm) minimum in width and 36 inches (915 mm) minimum in depth. A clearance of 48 inches (1220 mm) minimum in length, measured perpendicular from the control wall, and 30 inches (760 mm) minimum in depth, measured from the face of the shower compartment, shall be provided.

**Exceptions Exception:**

1. A shower compartment with dimensions of 30 inches (760 mm) minimum in depth and 44 inches (1120 mm) minimum in width shall be permitted.
2. ~~A shower door assembly shall be permitted where the assembly can be removed without removal or replacement of the surrounding walls and floor to which it is affixed.~~

**1104.11.3.1.3.4 Bathtub or shower enclosures.** A bathtub or shower enclosure shall be permitted where the assembly on the side of the bathtub or shower where the clearance is provided can be removed without removal or replacement of the surrounding walls and floor to which it is affixed.

**1104.11.3.2.3 Bathing fixtures.** The bathing fixture shall be a bathtub complying with Section 1104.11.3.2.3.1 or a shower compartment complying with Section 1104.11.3.2.3.2. Bathtub and shower enclosures shall comply with Section 1104.11.3.2.3.3.

**1104.11.3.2.3.1 Bathtub.** A clearance 48 inches (1220 mm) minimum in length measured perpendicular from the control end of the bathtub, and 30 inches (760 mm) minimum in width shall be provided in front of bathtubs.

**1104.11.3.2.3.2 Shower compartment.** A shower compartment shall comply with Section 1104.11.3.1.3.3.

**1104.11.3.2.3.3 Bathtub or shower enclosures.** A bathtub or shower enclosure shall comply with Section 1104.11.3.1.3.4



**REASON:** The purpose of this change is to clarify the requirements for bathtub/shower and shower enclosure that use doors (swinging or sliding) instead of curtains to limit the spread of the water. Shower enclosures are addressed already for Type B units, but we did not clarify bathtub/shower type units. While tracks for shower doors are addressed at bathtub edges, we are silent for showers with tracks.

Type A and Type B units are permanent housing, so within those units, removal of the enclosure should be permitted as an adaptation similar to cabinet removal in Type A units. Sliding doors are often used on showers to increase access into the room and to be in front of the shower. Shower doors of this type will not provide the 32” clear width of regular doors. Since a lot of slip and falls happen in your own bathroom, allowing for tub and shower enclosure is an important safety allowance.

I would like to get some better input from HUD on what is expected for enclosures in the FHAG.

---

Committee Action: Mod to 608.7 – 15-5-1; As modified 18-2-1

**REPORT OF HEARING:**

**Modification (if any):**

**Further modify as follows:**

**608.7 Shower enclosures.** Shower compartment enclosures for shower compartments shall not obstruct controls or obstruct transfer from wheelchairs onto shower seats. ~~Track for enclosures on showers shall comply with the threshold requirement in Section 608.6.~~

**Committee Reason:** The modification to delete the last sentence of Section 608.7 was because threshold requirements are already addressed in the current text, so this pointer is not needed. The committee agreed that this change clarifies the requirements for bathtub/shower and shower enclosure that use doors (swinging or sliding) instead of curtains to limit the spread of the water.

**607.7 et al-PAARLBERG.doc**

---

## 06-72 – 2021 Ballot Comments

<b>BALLOT COMMENT 1- FIRST DRAFT:</b>
Proponent: <i>Daniel Dain, AIA</i>
Desired Action: Affirmative with comment
Modification:
Reason: Section 608.7 does not address shower doors so are any door clearances required when provided?

---

## 06-72 – 2021 Public Comment 1

### 1103.11.2.5.3

**Proponent:** Marsha Mazz, representing the Terminology Task Group

**Further revise as follows:**

**SECTION 1103  
TYPE A UNITS**

**1103.11.2.5.3 Bathtub or shower enclosures.** A bathtub or shower enclosure shall be permitted where the assembly on the side of the bathtub or shower where the maneuvering clearance at the bathtub or shower is provided can be removed without removal or replacement of the surrounding walls and floor to which it is affixed.

**REASON:** This is part of a proposal from the Terminology task group to define the building blocks so that a reference is not required. This public comment is included here because it was part of new text. Please see the complete proposal for additional information.

**Committee Action:**

**REPORT OF HEARING:**

**Modification (if any):**

**Committee Reason:**

**06-72 Terminology.doc**

**Committee Action for First Ballot:**

**REPORT OF HEARING:**

**Modification (if any):**

**Committee Reason:**

<b>Report for 06-72– 2021</b>		
<b>Committee decision: AM</b>	<b>Committee Vote at Meeting: 18-2-1</b>	<b>Committee Vote on Ballot:39-1-1</b>
<b>REPORT OF HEARING:</b>		
Modification (if any):		
Further modify as follows:		
<p><b>608.7 Shower enclosures.</b> Shower compartment enclosures for shower compartments shall not obstruct controls or obstruct transfer from wheelchairs onto shower seats. <del>Track for enclosures on showers shall comply with the threshold requirement in Section 608.6.</del></p>		
<p>Committee Reason: The modification to delete the last sentence of Section 608.7 was because threshold requirements are already addressed in the current text, so this pointer is not needed. The committee agreed that this change clarifies the requirements for bathtub/shower and shower enclosure that use doors (swinging or sliding) instead of curtains to limit the spread of the water.</p>		
<b>BALLOT COMMENT 1- FIRST DRAFT:</b>		
Proponent: <i>Daniel Dain, AIA</i>		
Desired Action: Affirmative with comment		
Modification:		
Reason: Section 608.7 does not address shower doors so are any door clearances required when provided?		
<b>Committee decision: AS/AM/D</b>	<b>Committee Vote at Meeting:</b>	<b>Committee Vote on Ballot:</b>
<b>REPORT OF HEARING – FIRST DRAFT</b>		
Modification (if any):		
Committee Reason:		
<b>BALLOT COMMENT- SECOND DRAFT:</b>		
Proponent:		
Desired Action:		
Modification:		
Reason:		
<b>Committee decision: AS/AM/D</b>	<b>Committee Vote at Meeting:</b>	<b>Committee Vote on Ballot:</b>
<b>FINAL ACTION:</b>		
Modification (if any):		
Committee Reason:		

## 06-76 – 2021 overview

Proposal number	Proponent	Standard Sections	Committee Actions	Mtg. Date	Notes; Groups; groupings
06-76	Paarlberg	609 (New), 609.1 (New), 609.2 (New), 609.3 (New), 609.4 (New), 1009.7 (New)	AM 24-5-2	11-17-2022	Bathing related: staff note for coordination with 06-45 and 06-47

Comment	Proponent	Requested Action	Committee Action	Mtg. Date	Notes; Groups; groupings
BC1	Dain, AIA	Affirmative			
<b>BC2</b>	Paarlberg, ICC	Affirmative			
<b>PC1</b>	Terminology	AM			Editorial

BC= Ballot Comment, PC= Public comment, **Bold Comment number** is proposed revision below

## 06-76 – 2021

**609 (New), 609.1(New), 609.2(New), 609.3(New), 609.4(New), 1009.7(New)**

**Proponent:** Kimberly Paarlberg, International Code Council

**Add new text as follows:**

### SECTION 609 POOLSIDE OR OUTDOOR RINSING SHOWERS

**609.1 Poolside or outdoor rinsing showers.** Where poolside or outdoor rinsing showers are provided, at least one shall comply with Section 609.2 thru 609.4.

**609.2 Clear floor space.** A circular turning space complying with Section 304.3.1 shall be provided at the shower heads. The turning space shall be located so that the shower pedestal or wall with the shower head are at the one end of the space and centered on the shower head.

**609.3 Hand showers.** Provide at least one a hand-held shower spray unit with a hose 59 inches (1500 mm) long minimum. The hand-held shower spray unit shall have at least one fixed position located 15 inches minimum (380 mm) and 48 inches (1220 mm) maximum above the ground.

**EXCEPTION:** A fixed shower head located at 48 inches (1220 mm) maximum above the floor shall be permitted in place of a hand-held shower spray unit.

**609.4 Controls.** Controls for the water flow shall meet operable parts requirements in accordance with Section 309.

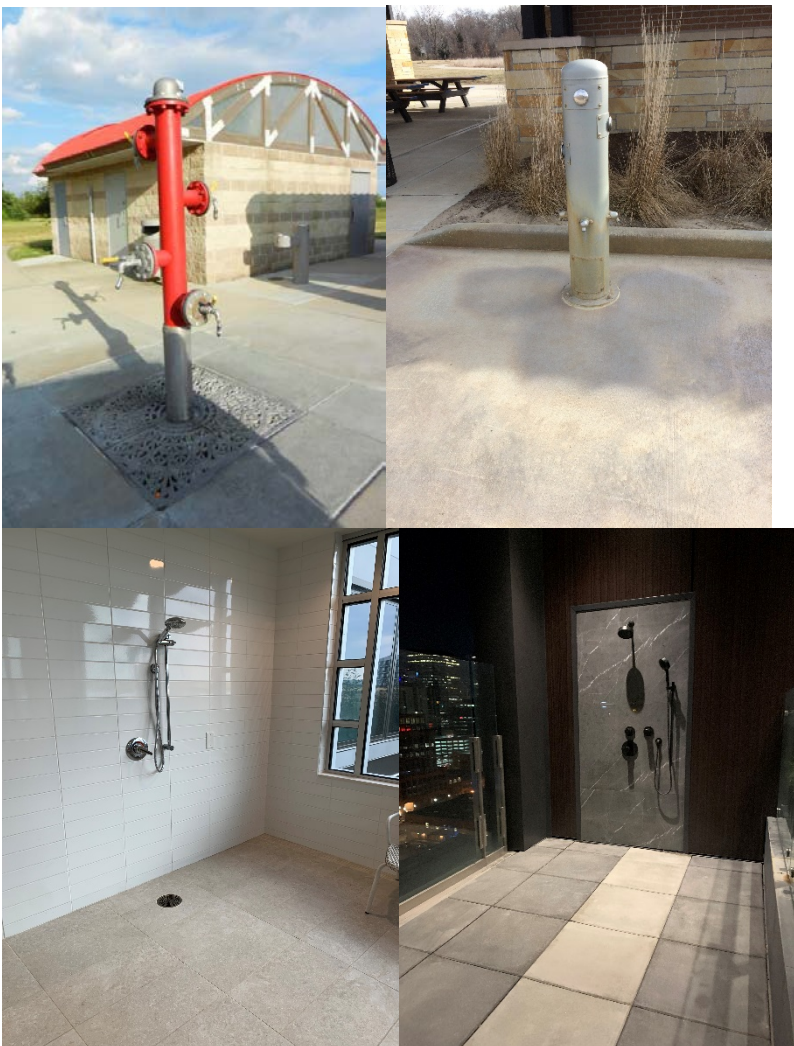
## SECTION 1009 SWIMMING POOLS, WADING POOLS, HOT TUBS AND SPAS

**1009.7 Rising showers.** Where rinsing showers are provided, at least one shall comply with Section 609.

---

**REASON:** Poolside or outdoor rinsing showers are provided at swimming pools, playground splash pads and at bathrooms near beaches. There has been the question if these have to meet the general shower provisions in Section 608. Since this is not a transfer situation, seats and grab bars are should not be required. This is consistent with the Architectural Barriers Act Accessibility Standards (ABAAS) in Section 1011.7 and Table 1011.2.1.

Below are examples I found at a splash park, next to an indoor pool and next to an outdoor roof pool.



From the Access Board web site.

<https://www.access-board.gov/ada/guides/chapter-6-bathing-rooms/>

Are rinsing showers at swimming pools, beaches, and camping areas required to comply as showers?

Shower fixtures located outside bathrooms for use at swimming pools and beaches are not required to comply as showers. However, they must still meet applicable requirements for operable parts, including clear floor space and compliant controls within accessible reach range. The ABA Standards, which apply to federally funded facilities, include provisions for outdoor developed areas on federal lands. These provisions include requirements for outdoor rinsing showers (§1011.7) which can be consulted as a reference for other types of outdoor sites.

---

Committee Action: As Modified 24-5-2  
modification to remove scoping 18-6-2;  
modification to remove circular and allow all turning 19-5-4

## REPORT OF HEARING:

**Modification (if any):**

**Further revise as follows:**

### SECTION 609 ~~POOLSIDE OR OUTDOOR~~ RINSING SHOWERS

**609.1 ~~Poolside or outdoor~~ rinsing showers.** ~~Where poolside or outdoor~~ rinsing showers ~~are provided, at least one~~ shall comply with Section 609.2 thru 609.4.

**609.2 Clear floor space.** A ~~circular~~ turning space complying with Section 304.3-1 shall be provided at the shower heads. The turning space shall be located so that the shower pedestal or wall with the shower head are at the one end of the space and centered on the shower head.

**609.3 Hand showers.** ~~Provide at least one~~ A hand-held shower spray unit with a hose 59 inches (1500 mm) long minimum ~~shall be provided~~. The hand-held shower spray unit shall have at least one fixed position located 15 inches minimum (380 mm) and 48 inches (1220 mm) maximum above the ground.

**EXCEPTION:** A fixed shower head located at 48 inches (1220 mm) maximum above the floor shall be permitted in place of a hand-held shower spray unit.

**609.4 Controls.** Controls for the water flow shall meet operable parts requirements in accordance with Section 309.

### SECTION 1009 SWIMMING POOLS, WADING POOLS, HOT TUBS AND SPAS

~~**1009.7 Rinsing showers.** Where rinsing showers are provided, at least one shall comply with Section 609.~~

**Committee Reason:** The modification to removed ‘poolside or outdoor’ and ‘at least one’ in the title, Section 609.1, 609.3 and 1009.7 was to remove the scoping in the proposal. There were concerns raised that removing ‘poolside or outdoor’ could be read to allow for this option for showers that were not intended to be address by this proposal. The modification to Section 609.2 was to allow either a circular or T-turn at the hand shower – however, there may be additional revisions to the 2<sup>nd</sup> sentence needed to coordinate properly with T-turns. This proposal is consistent with the recommendations for the U.S. Access Board for these types of showers. This will clarify that a rinsing shower does not always have to have a seat and grab bars like a

shower for bathing; and will provide appropriate criteria. The committee recommended that this be located at the end of Chapter 6 with the Saunas rather than following the shower section.

**Staff note:** The following revisions would be required to Section 609.3 for consistency with the provisions for hand showers approved by the committee in 06-45 and 06-47.

**Further revise as follows:**

**609.3 Hand showers.** A hand-held shower ~~spray unit~~ with a hose 59 inches (1500 mm) ~~long~~ minimum in length shall be provided. ~~The hand-held shower spray unit shall have at least one fixed position located 15 inches minimum (380 mm) and 48 inches (1220 mm) maximum above the ground. A mount to hold the hand shower shall be located at a height of 38 inches (965 mm) minimum and 48 inches (1220 mm) maximum above the floor. A fixed shower head, in addition to the hand shower shall be permitted.~~

**EXCEPTIONS:**

1. A fixed shower head located at 48 inches (1220 mm) maximum above the floor shall be permitted in place lieu of a hand-held shower ~~spray unit~~.
2. The mount to hold the hand shower shall be permitted to be located on a vertical bar provided that the mount is adjustable in height and can be located within the area specified for the fixed mount.

609 NEW-PAARLBERG.doc

---

## 06-76 – 2021 Ballot Comments

<b>BALLOT COMMENT 1- FIRST DRAFT:</b>
Proponent: <i>Daniel Dain, AIA</i>
Desired Action: Affirmative with comment
Modification:
Reason: No requirement to meet 304.2 Floor surface.
<b>BALLOT COMMENT 2- FIRST DRAFT:</b>
Proponent: <i>Kimberly Paarlberg, ICC</i>
Desired Action: Affirmative with comment
Modification: See Ballot Comment 2

## 06-76 – 2021 Ballot Comment 2

615, 615.1, 615.2, 615.3, 1009.7

**Proponent: Kimberly Paarlberg, ICC**

**Further revise as follows:**

**SECTION 615**  
**POOLSIDE OR OUTDOOR RINSING SHOWERS**

**615.1 Poolside or outdoor rinsing showers.** Poolside or outdoor rinsing showers shall comply with Section 615.2 thru 615.4.

**615.2 Clear floor space.** A turning space complying with Section 304.3 shall be provided at the shower heads. The turning space shall be located so that the shower pedestal or wall with the shower head are at the one end of the space ~~and centered on the shower head~~.

**SECTION 1009**

## SWIMMING POOLS, WADING POOLS, HOT TUBS AND SPAS

### 1009.7 Rising showers. Rinsing showers shall comply with Section 615.

The following revisions would be required to Section 609.3 for consistency with the provisions for hand showers approved by the committee in 06-45 and 06-47.

#### Further revise as follows:

**615.3 Hand showers.** A hand-held shower ~~spray unit~~ with a hose 59 inches (1500 mm) ~~long~~ minimum in length shall be provided. ~~The hand-held shower spray unit shall have at least one fixed position located 15 inches minimum (380 mm) and 48 inches (1220 mm) maximum above the ground. A mount to hold the hand shower shall be located at a height of 38 inches (965 mm) minimum and 48 inches (1220 mm) maximum above the floor. A fixed shower head, in addition to the hand shower shall be permitted.~~

#### **EXCEPTIONS:**

1. A fixed shower head located at 48 inches (1220 mm) maximum above the floor shall be permitted in ~~place~~ lieu of a hand-held shower ~~spray unit~~.
2. The mount to hold the hand shower shall be permitted to be located on a vertical bar provided that the mount is adjustable in height and can be located within the area specified for the fixed mount.

---

**REASON:** The committee asked for some additional revision in the reason. Clarify limit of these options (e.g. which showers so someone does not try this for regular showers). Shower head location on a T-turn.

---

#### Committee Action for Ballot Comment 2:

#### REPORT OF HEARING:

#### Modification (if any):

#### Committee Reason:

06-76 Paarlberg.doc

---

### 06-76 – 2021 Public Comment 1 615.2, 615.4

**Proponent:** Marsha Mazz, representing Terminology Work Group

#### Further revise as follows:

**615.2 ~~Clear floor space Clearance.~~** A ~~turning space complying with Section 304.3 clearance~~ 60 inches (1525) minimum in depth by 60 inch (1525 mm) minimum in length shall be provided at the shower heads. The ~~turning space clearance~~ shall be located so that the shower pedestal or wall with the shower head are at the one end of the ~~space clearance~~ and centered on the shower head.

**615.4 Controls.** Controls for the water flow shall meet comply with operable parts ~~requirements in accordance with Section 309.~~

**REASON:** The 60” x 60” clearance would match the Access Board guidance. The change to Section 615.4 is part of the work of the Terminology work group for building blocks.

**Committee Action for Public comment 1:**

**REPORT OF HEARING:**

**Modification (if any):**

**Committee Reason:**

**06-76**

**Terminology.doc**

**Committee Action for First Ballot:**

**REPORT OF HEARING:**

**Modification (if any):**

**Committee Reason:**

Report for <del>06-76</del> – 2021		
<i>Committee decision: AM</i>	<i>Committee Vote at Meeting: 24-5-2</i>	<i>Committee Vote on Ballot:38-2-1</i>
<b>REPORT OF HEARING:</b> Modification (if any): Further revise as follows:		
<b>SECTION 609</b> <b><del>POOLSIDE OR OUTDOOR</del> RINSING SHOWERS</b>		
<b>609.1 <del>Poolside or outdoor</del> rinsing showers.</b> <del>Where poolside or outdoor</del> rinsing showers <del>are provided, at least one</del> shall comply with Section 609.2 thru 609.4.		
<b>609.2 Clear floor space.</b> A <del>circular</del> turning space complying with Section 304.3-4 shall be provided at the shower heads. The turning space shall be located so that the shower pedestal or wall with the shower head are at the one end of the space and centered on the shower head.		
<b>609.3 Hand showers.</b> <del>Provide at least one</del> A hand-held shower spray unit with a hose 59 inches (1500 mm) long minimum <del>shall be provided</del> . The hand-held shower spray unit shall have at least one fixed position located 15 inches minimum (380 mm) and 48 inches (1220 mm) maximum above the ground. <b>EXCEPTION:</b> A fixed shower head located at 48 inches (1220 mm) maximum above the floor shall be permitted in place of a hand-held shower spray unit.		
<b>609.4 Controls.</b> Controls for the water flow shall meet operable parts requirements in accordance with Section 309.		
<b>SECTION 1009</b> <b>SWIMMING POOLS, WADING POOLS, HOT TUBS AND SPAS</b>		
<del>1009.7 Rising showers. Where rinsing showers are provided, at least one shall comply with Section 609.</del>		
<b>Committee Reason:</b> The modification to removed ‘poolside or outdoor’ and ‘at least one’ in the title, Section 609.1, 609.3 and 1009.7 was to remove the scoping in the proposal. There were concerns raised that removing ‘poolside or outdoor’ could be read to allow for this option for showers that were not intended to be address by this proposal. The modification to Section 609.2 was to allow either a circular or T-turn at the hand shower – however, there may be additional revisions to the 2 <sup>nd</sup> sentence needed to coordinate properly with T-turns. This proposal is consistent with the recommendations for the U.S. Access Board for these types of showers. This will clarify that a rinsing shower does not always have to have a seat and grab bars like a shower for bathing; and will provide appropriate criteria. The committee recommended that this be located at the end of Chapter 6 with the Saunas rather than following the shower section.		
<b>Staff note:</b> The following revisions would be required to Section 609.3 for consistency with the provisions for hand showers approved by the committee in 06-45 and 06-47.		



**Report for 06-76– 2021**

Further revise as follows:

**609.3 Hand showers.** A hand-held shower spray-unit with a hose 59 inches (1500 mm) long minimum in length shall be provided. The hand-held shower spray-unit shall have at least one fixed position located 15 inches minimum (380 mm) and 48 inches (1220 mm) maximum above the ground. A mount to hold the hand shower shall be located at a height of 38 inches (965 mm) minimum and 48 inches (1220 mm) maximum above the floor. A fixed shower head, in addition to the hand shower shall be permitted.

**EXCEPTIONS:**

1. A fixed shower head located at 48 inches (1220 mm) maximum above the floor shall be permitted in place lieu of a hand-held shower spray-unit.
2. The mount to hold the hand shower shall be permitted to be located on a vertical bar provided that the mount is adjustable in height and can be located within the area specified for the fixed mount.

**BALLOT COMMENT 1- FIRST DRAFT:**

Proponent: Daniel Dain, AIA

Desired Action: Affirmative with comment

Modification:

Reason: No requirement to meet 304.2 Floor surface.

**BALLOT COMMENT 2- FIRST DRAFT:**

Proponent: Kimberly Paarlberg, ICC

Desired Action: Affirmative with comment

Modification:

Further revise as follows:

**SECTION 615  
POOLSIDE OR OUTDOOR RINSING SHOWERS**

**615.1 Poolside or outdoor rinsing showers.** Poolside or outdoor rinsing showers shall comply with Section 615.2 thru 615.4.

**615.2 Clear floor space.** A turning space complying with Section 304.3 shall be provided at the shower heads. The turning space shall be located so that the shower pedestal or wall with the shower head are at the one end of the space and centered on the shower head.

**SECTION 1009  
SWIMMING POOLS, WADING POOLS, HOT TUBS AND SPAS**

**1009.7 Rising showers.** Rinsing showers shall comply with Section 615.

The following revisions would be required to Section 609.3 for consistency with the provisions for hand showers approved by the committee in 06-45 and 06-47.

Further revise as follows:

**615.3 Hand showers.** A hand-held shower spray-unit with a hose 59 inches (1500 mm) long minimum in length shall be provided. The hand-held shower spray-unit shall have at least one fixed position located 15 inches minimum (380 mm) and 48 inches (1220 mm) maximum above the ground. A mount to hold the hand shower shall be located at a height of 38 inches (965 mm) minimum and 48 inches (1220 mm) maximum above the floor. A fixed shower head, in addition to the hand shower shall be permitted.

**EXCEPTIONS:**

1. A fixed shower head located at 48 inches (1220 mm) maximum above the floor shall be permitted in place lieu of a hand-held shower spray-unit.
2. The mount to hold the hand shower shall be permitted to be located on a vertical bar provided that the mount is adjustable in height and can be located within the area specified for the fixed mount.

**Reason:**

The committee asked for some additional revision in the reason. Clarify limit of these options (e.g. which showers so someone does not try this for regular showers). Shower head location on a T-turn.

**Committee decision: AS/AM/D**

**Committee Vote at Meeting:**

**Committee Vote on Ballot:**

**REPORT OF HEARING – FIRST DRAFT**

Modification (if any):

Committee Reason:

**BALLOT COMMENT- SECOND DRAFT:**

Proponent:

Desired Action:

Modification:

Reason:

**Committee decision: AS/AM/D**

**Committee Vote at Meeting:**

**Committee Vote on Ballot:**

**FINAL ACTION:**

Modification (if any):

Committee Reason:

## 06-77 – 2021 overview

Proposal number	Proponent	Standard Sections	Committee Actions	Mtg. Date	Notes; Groups; groupings
06-77	Thompson	609.3	AM 24-2-1	11-17-2022	Bathing related

Comment	Proponent	Requested Action	Committee Action	Mtg. Date	Notes; Groups; groupings
<b>PC1</b>	Thompson	AM			
<b>PC2</b>	Thompson	AM			

BC= Ballot Comment, PC= Public comment, **Bold Comment number** is proposed revision below

## 06-77 – 2021

### 609.3

**Proponent:** Kyle Thompson, Plumbing Manufacturers International (PMI)

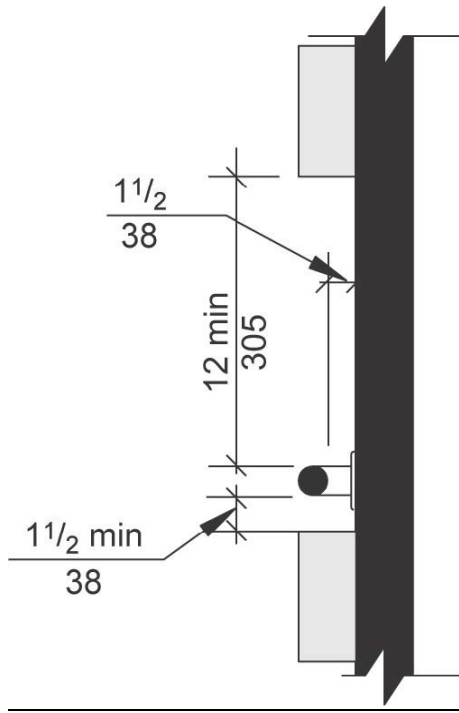
**Revise as follows:**

#### **SECTION 609 GRAB BARS**

**609.3 Spacing.** The space between the wall and the grab bar shall be 1 1/2 inches (38 mm). The space between the grab bar and projecting objects below and at the ends of the grab bar shall be 1 1/2 inches (38 mm) minimum. The space between the grab bar and projecting objects above the grab bar shall be 12 inches (305 mm) minimum.

**Exceptions:**

1. The space between the grab bars and shower controls, shower fittings, and other grab bars above the grab bar shall be permitted to be 1 1/2 inches (38 mm) minimum.
2. Recessed dispensers projecting from the wall 1/4 inch (6.4 mm) maximum measured from the face of the dispenser and complying with Section 604.7 shall be permitted within the 12-inch (305 mm) space above and the 1 1/2-inch (38 mm) spaces below and at the ends of the grab bar.
3. Flushing device cover plates and their controls projecting from the wall up to 1 inch (25 mm) maximum shall be permitted to be 1-1/2 inch (38 mm) minimum above the grab bar.



**FIGURE 609.3  
SPACING OF GRAB BARS**

**REASON:** Adding exception 3 is consistent with other exceptions already identified in this section and the protrusion is limited to no greater than 1" which will not interfere with the continued use of the rear grab bar. This proposed change would make it easier on the user to access a flushing device cover plate and its controls located above the grab bar while still ensuring a minimum 1-1/2 inch space between the plate/controls and the grab bar and a limitation on the maximum projection beyond the wall. Such accommodations have already been provided in the standard for shower controls and dispensers.

The following figures are examples of the flushing device cover plates and their controls. The engineering for in-wall tank type toilets requires the flush plate remain within a specific vertical range from the bowl and its location can also be restricted horizontally. For flushometer type toilets, the rough plumbing may restrict the location. Additionally, if a grab bar is set at 36" and the flush plate must be 12" above that, the flush plate is pushed out of the obstructed side reach range of 48", limiting the options for the end-user.



Committee Action: As Modified 24-2-1  
Modification to add 'and pushbutton' 17-8-3;  
Modification to add 'automatic' 21-6-1;  
Modification to change dimension above to 4" 22-4-1

## **REPORT OF HEARING:**

**Modification (if any):**

**Further revise as follows:**

### **SECTION 609 GRAB BARS**

**609.3 Spacing.** The space between the wall and the grab bar shall be 1 1/2 inches (38 mm). The space between the grab bar and projecting objects below and at the ends of the grab bar shall be 1 1/2 inches (38 mm) minimum. The space between the grab bar and projecting objects above the grab bar shall be 12 inches (305 mm) minimum.

#### **Exceptions:**

1. The space between the grab bars and shower controls, shower fittings, and other grab bars above the grab bar shall be permitted to be 1 1/2 inches (38 mm) minimum.
2. Recessed dispensers projecting from the wall 1/4 inch (6.4 mm) maximum measured from the face of the dispenser and complying with Section 604.7 shall be permitted within the 12-inch (305 mm) space above and the 1 1/2-inch (38 mm) spaces below and at the ends of the grab bar.

3. Automatic and push button Flushing device cover plates and ~~their~~ controls projecting from the wall up to 1 inch (25 mm) maximum shall be permitted to be ~~1-1/2~~ 4 inch (~~38~~ 100 mm) minimum above the grab bar.

**Committee Reason:** The modifications to add ‘automatic and push button’ were to clarify what type of flushing device this is meant to address (i.e., not on handle on the tank). The modification to increase the clearance above the grab bar from 1-1/2” to 4” was to address concerns about this plate blocking access to the rear grab bar, but would still allow for the control to be within reach range of someone sitting in the transfer location. The new exception is needed to address access to these devices. The committee approved centerline controls in 06-20. These devices are required to be centered on the back wall to function with the plumbing flushing system.

609.3-THOMPSON.doc

---

## 06-77 – 2021 Public Comment 1

### 609.3

**Proponent:** Kyle Thompson, Plumbing Manufacturers International (PMI)

**Further revise as follows:**

#### SECTION 609 GRAB BARS

**609.3 Spacing.** The space between the wall and the grab bar shall be 1 1/2 inches (38 mm). The space between the grab bar and projecting objects below and at the ends of the grab bar shall be 1 1/2 inches (38 mm) minimum. The space between the grab bar and projecting objects above the grab bar shall be 12 inches (305 mm) minimum.

**Exceptions:**

1. The space between the grab bars and shower controls, shower fittings, and other grab bars above the grab bar shall be permitted to be 1 1/2 inches (38 mm) minimum.
2. Recessed dispensers projecting from the wall 1/4 inch (6.4 mm) maximum measured from the face of the dispenser and complying with Section 604.7 shall be permitted within the 12-inch (305 mm) space above and the 1 1/2-inch (38 mm) spaces below and at the ends of the grab bar.
3. Automatic and push button flushing device cover plates and controls projecting from the wall up to 1 inch (25 mm) maximum shall be permitted to be 4 inch (100 mm) minimum above the grab bar.
4. Automatic and push button flushing device cover plates and controls projecting from the wall up to 1/4 inch (6.4 mm) maximum shall be permitted within the 12-inch (305 mm) space above and the 1 1/2-inch (38 mm) spaces below and at the ends of the grab bar.

---

**REASON:** Based on the exception for recessed dispensers, these flushing device cover plates are implicitly covered by exception 2. However, this modification is intended to clarify this requirement and explicitly allow automatic flush control cover plates projecting from the wall up to 1/4 inch to be installed above and below the grab bar.

(Staff note: Section 609.3 Exception 1 was modified by 06-47-21 AM)

**Committee Action for Public Comment 1:**

**REPORT OF HEARING:**

**Modification (if any):**

**Committee Reason:**

06-77 Thompson 1.doc

---

**06-77 – 2021 Public Comment 2**

**609.3**

**Proponent:** Kyle Thompson, Plumbing Manufacturers International (PMI)

**Further revise as follows:**

**SECTION 609  
GRAB BARS**

**609.3 Spacing.** The space between the wall and the grab bar shall be 1 1/2 inches (38 mm). The space between the grab bar and projecting objects below and at the ends of the grab bar shall be 1 1/2 inches (38 mm) minimum. The space between the grab bar and projecting objects above the grab bar shall be 12 inches (305 mm) minimum.

**Exceptions:**

1. The space between the grab bars and shower controls, shower fittings, and other grab bars above the grab bar shall be permitted to be 1 1/2 inches (38 mm) minimum.
2. Recessed dispensers projecting from the wall 1/4 inch (6.4 mm) maximum measured from the face of the dispenser and complying with Section 604.7 shall be permitted within the 12-inch (305 mm) space above and the 1 1/2-inch (38 mm) spaces below and at the ends of the grab bar.
3. Automatic and push button flushing device cover plates and controls projecting from the wall up to 1 inch (25 mm) maximum shall be permitted to be ~~4-inch~~ 2 inches (50 mm) minimum above the grab bar.

---

**REASON:** The original proposal was for device plates that extended up to 1 inch from the wall to be permitted to be 1-1/2 inches minimum above the grab bar. The proposal was modified during committee discussion and will permit the plates to be 4 inches above the grab bar, which is an improvement over the current requirements. However, 4 inches is the outside limit for proper installation of many of these devices and installing in this location cause false flushes and stress on the wiring connectors behind the wall. This proposal is intended to alleviate the conflict resulting from the required installation of rear wall grab bars in the same vertical dimension as the automated flushing device control plates are designed to be installed.

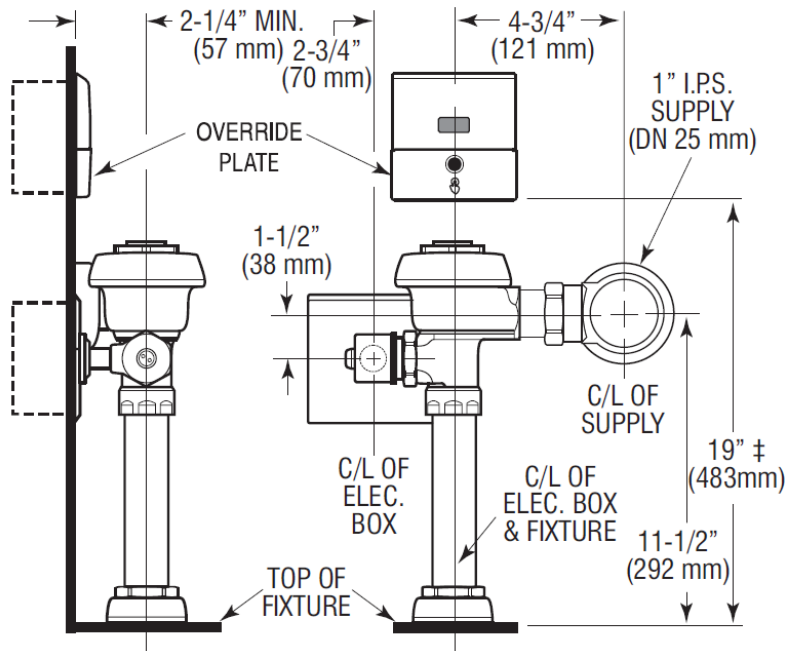
Automated flushing devices require a specific vertical height above the toilet to operate properly (see Figure 1 below as an example).

The height of water closet seats are required to be 17 min and 19 max for compliance with Section 604.4. Rear wall grab bars are required to be installed between 33-36 inches for compliance with Section 604.5, (16-19 inches above a 17 inch water closet seat or 14-17 inches above the a 19 inch water closet seat). Depending on the installation the grab bar can be installed in the exact location where the bottom of the automated flushing device control plate is required to be located (e.g. at 19 inches above the top of the fixture). Allowing the

control plate to be installed 2 in minimum above the grab bar will provide installers enough flexibility to accommodate almost all water closet/grab bar/automated flushing device control plate height variations and still comply with the requirements of A117.1 while providing the end user enough space to use the grab bar without injuring themselves.

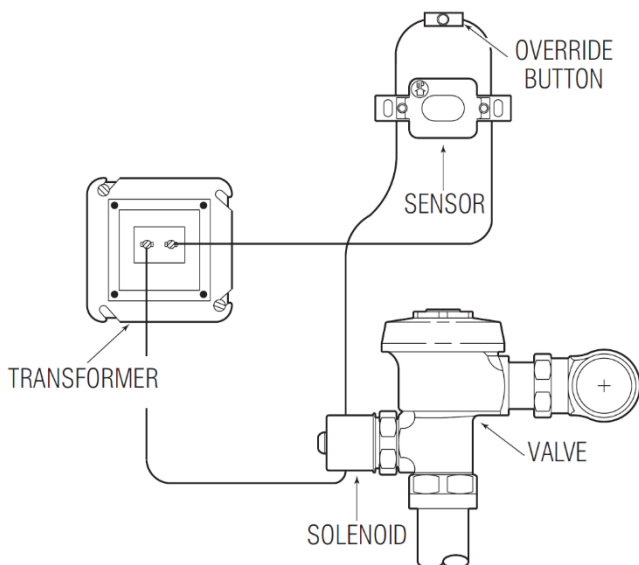
In addition, for automated flushing devices, the wire harness connectors (see Figure 2) from sensor eye to the flushometer valve solenoid have limited length. Raising the cover plates to 4 inches above the grab bar while roughing in the valve per manufacturer specifications may create taut wires stressing the connection points.

**Figure 1:**  
**VALVE ROUGH-IN**



‡ POSITION OF SENSOR BOX CAN BE RAISED OR LOWERED 1" (25 mm) IF IN CONFLICT WITH HANDICAP GRAB BARS.

**Figure 2**  
**Wiring Diagram for One Flush Valve**



(Staff note: Section 609.3 Exception 1 was modified by 06-47-21 AM)

**Committee Action for Public Comment 2:**

**REPORT OF HEARING:**

**Modification (if any):**

**Committee Reason:**

**06-77 Thompson 1.doc**

**Committee Action for First Ballot:**

**REPORT OF HEARING:**

**Modification (if any):**

**Committee Reason:**

<b>Report for 06-77- 2021</b>		
<b>Committee decision: AM</b>	<b>Committee Vote at Meeting: 24-2-1</b>	<b>Committee Vote on Ballot:40-0-1</b>
<b>REPORT OF HEARING:</b> Modification (if any): Further revise as follows:		
<b>SECTION 609 GRAB BARS</b>		
<b>609.3 Spacing.</b> The space between the wall and the grab bar shall be 1 1/2 inches (38 mm). The space between the grab bar and projecting objects below and at the ends of the grab bar shall be 1 1/2 inches (38 mm) minimum. The space between the grab bar and projecting objects above the grab bar shall be 12 inches (305 mm) minimum.		
<b>Exceptions:</b>		
1. The space between the grab bars and shower controls, shower fittings, and other grab bars above the grab bar shall be permitted to be 1 1/2 inches (38 mm) minimum.		
2. Recessed dispensers projecting from the wall 1/4 inch (6.4 mm) maximum measured from the face of the dispenser and complying with Section 604.7 shall be permitted within the 12-inch (305 mm) space above and the 1 1/2-inch (38 mm) spaces below and at the ends of the grab bar.		
3. <b>Automatic and push button</b> Flushing device cover plates and <del>their</del> controls projecting from the wall up to 1 inch (25 mm) maximum shall be permitted to be <del>1-1/2</del> <b>4</b> inch ( <del>38</del> <b>100</b> mm) minimum above the grab bar.		
Committee Reason: The modifications to add 'automatic and push button' were to clarify what type of flushing device this is meant to address (i.e., not on handle on the tank). The modification to increase the clearance above the grab bar from 1-1/2" to 4" was to address concerns about this plate blocking access to the rear grab bar, but would still allow for the control to be within reach range of someone sitting in the transfer location. The new exception is needed to address access to these devices. The committee approved centerline controls in 06-20. These devices are required to be centered on the back wall to function with the plumbing flushing system.		
<b>BALLOT COMMENT- FIRST DRAFT:</b>		
Proponent:		
Desired Action:		
Modification:		
Reason:		
<b>Committee decision: AS/AM/D</b>	<b>Committee Vote at Meeting:</b>	<b>Committee Vote on Ballot:</b>
<b>REPORT OF HEARING – FIRST DRAFT</b>		
Modification (if any):		
Committee Reason:		
<b>BALLOT COMMENT- SECOND DRAFT:</b>		
Proponent:		
Desired Action:		
Modification:		
Reason:		
<b>Committee decision: AS/AM/D</b>	<b>Committee Vote at Meeting:</b>	<b>Committee Vote on Ballot:</b>
<b>FINAL ACTION:</b>		



<b>Report for 06-77- 2021</b>
Modification (if any):
Committee Reason:

---

## 06-80 – 2021 overview

Proposal number	Proponent	Standard Sections	Committee Actions	Mtg. Date	Notes; Groups; groupings
06-80	Paarlberg	609.7.1(New )	AM 25-1-3	10-6-2022	Bathing related

Comment	Proponent	Requested Action	Committee Action	Mtg. Date	Notes; Groups; groupings
BC1	Paarlberg, ICC	Affirmative			
BC2	Thompson, PMI	Negative			

BC= Ballot Comment, PC= Public comment, **Bold Comment number** is proposed revision below

## 06-80 – 2021

### 609.7.1(New)

**Proponent:** Kimberly Paarlberg, International Code Council

**Add new text as follows:**

#### SECTION 609 GRAB BARS

**609.7 Installation and configuration.** Grab bars shall be installed in any manner that provides a gripping surface at the locations specified in this standard and does not obstruct the clear floor space. Horizontal and vertical grab bars shall be permitted to be separate bars, a single piece bar, or combination thereof.

**609.7.1 Length of grab bar.** The required length of a horizontal grab bar shall be measured horizontally to the center of the return or support. The required length of a vertical grab bar shall be measured vertically to the center of the return or support.

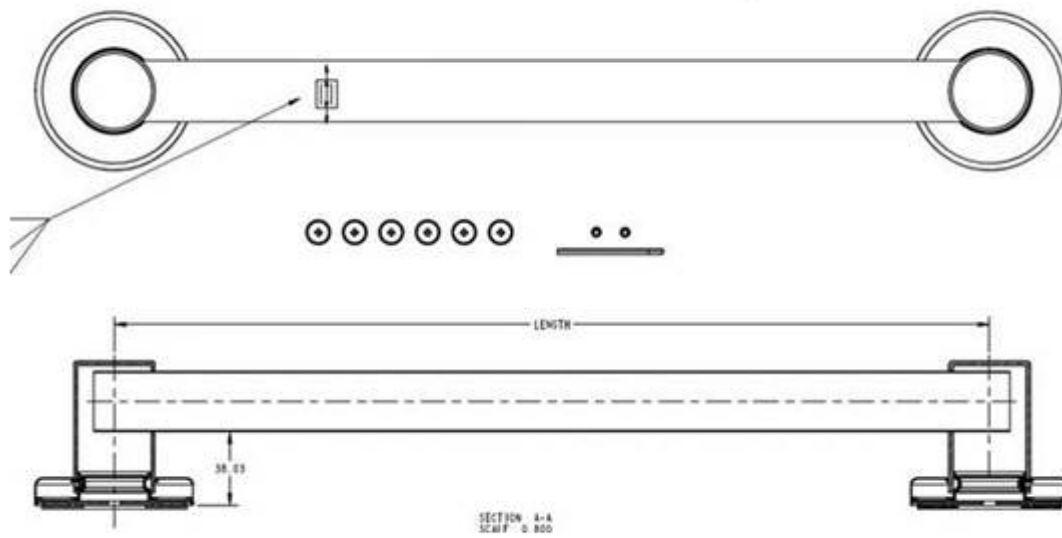
**Exception:** Where the grab bar is not supported at the ends, the required length of the grab bar shall be measured to the end of the grab bar.

**REASON:** As currently written the standard does not provide specific guidance as to whether the length of a grab bar is only the straight/graspable portion of the bar or how to measure if (a) the bar is curved to returned to the wall or (b) supported by a bracket that covers a portion of the bar. See the attached figures (1 and 2) for examples.

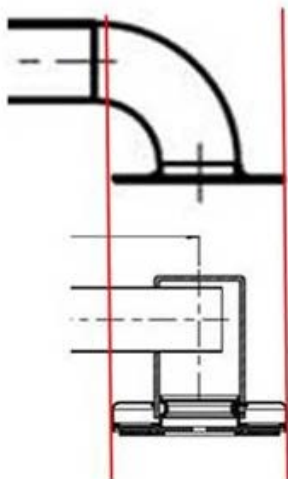
At this point it appears that while the A117.1 and ADA do not clearly address this issue, that it has been addressed by the Fair Housing Design Manual (see Figure 3 attached) and that the conventional industry practice is to measure the grab bar length to the centerline of the return (for both curved or post-mounted). Therefore, the intent of this proposal is to simply provide some clarity and language within the standard so that the provision is enforced in a consistent manner. Leaving this topic unaddressed within the standard simply leads to inconsistent application and confusion.

The language selected here for adding was based on a proposal that has also been submitted to Section 505.10 to address handrails.

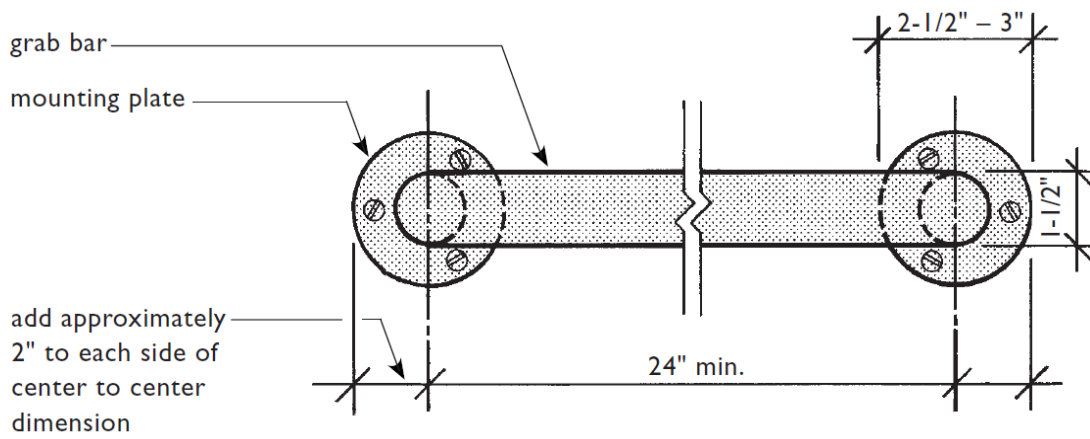
**Figure 1: (Post supported, elevation and section)**



**Figure 2: (End conditions; curved and post supported)**



**Figure 3: (Graphic from page 6.4 of Fair Housing Design Manual)**



**Escutcheon Plates  
Extend Beyond the Given Grab Bar Length**

This is an example of the type of grab bar addressed in the exception.



**Modification:**

**Replace with the following:**

## Water closets

**604.5 Grab bars.** Grab bars for water closets shall comply with Section 609 and shall be provided in accordance with Sections 604.5.1 and 604.5.2. Grab bars shall be provided on the rear wall and on the side wall closest to the water closet.

### Exceptions:

1. Grab bars shall not be required to be installed in a toilet room for a single occupant, accessed only through a private office and not for common use or public use, provided reinforcement has been installed in walls and located so as to permit the installation of grab bars complying with Section 604.5.
2. In detention or correction facilities, grab bars shall not be required to be installed in housing or holding cells or rooms that are specially designed without protrusions for purposes of suicide prevention.

**604.5.1 Fixed side-wall grab bars.** Fixed side-wall grab bars shall include a horizontal bar complying with Section 604.5.1.1 and a vertical grab bar complying with Section 604.5.1.2. The vertical grab bar at water closets primarily for children's use shall comply with Section 609.4.2.

### Figure 604.5.1

#### SIDE-WALL GRAB BAR FOR WATER CLOSET

**604.5.1.1 Horizontal grab bar.** A horizontal grab bar 42 inches (1065 mm) minimum in length shall be located 12 inches (305 mm) maximum from the rear wall and extend 54 inches (1370 mm) minimum from the rear wall.

**604.5.1.2 Vertical grab bar.** A vertical grab bar 18 inches (455 mm) minimum in length shall be mounted with the bottom of the bar located 39 inches (990 mm) minimum and 41 inches (1040 mm) maximum above the floor, and ~~with the center line of the bar~~ located 39 inches (990 mm) minimum and 41 inches (1040 mm) maximum from the rear wall.

**604.5.2 Rear-wall grab bars.** The fixed rear-wall grab bar shall

1. Be 36 inches (915 mm) minimum in length,
2. Be located 6 inches maximum (150 mm) from the side wall, and
3. Extend 42 inches (1065 mm) minimum from the side wall.

### Exceptions:

1. The rear grab bar shall be permitted to be 24 inches (610 mm) minimum in length, centered on the water closet, where wall space does not permit a grab bar 36 inches (915 mm) minimum in length due to the location of a recessed fixture adjacent to the water closet.
2. Where an administrative authority requires flush controls for flush valves to be located in a position that conflicts with the location of the rear grab bar, that grab bar shall be permitted to be split or shifted to the open side of the toilet area.

## Bathtubs

**607.4 Grab bars.** Grab bars shall comply with Section 609 and shall be provided in accordance with Section 607.4.1 or 607.4.2.

**Exception:** Grab bars shall not be required to be installed in a bathing facility for a single occupant accessed only through a private office and not for common use or public use, provided reinforcement has been installed in walls and located so as to permit the installation of grab bars complying with Section 607.4.

## Bathtubs with permanent seats

**607.4.1 Bathtubs with permanent seats.** For bathtubs with permanent seats, grab bars complying with Section 607.4.1 shall be provided.

**Figure 607.4.1 (A)**

GRAB BARS FOR BATHTUBS WITH SEAT AT HEAD END OF TUB – ELEVATION

**Figure 607.4.1 (B)**

GRAB BARS FOR BATHTUBS WITH SEAT AT HEAD END OF TUB – PLAN

**607.4.1.1 Back wall.** Two horizontal grab bars shall be provided on the back wall, one complying with Section 609.4 and the other located 8 inches (205 mm) minimum and 10 inches (255 mm) maximum above the rim of the bathtub. Each grab bar shall be located 15 inches (380 mm) maximum from the head end wall and extend to 12 inches (305 mm) maximum from the control end wall.

**607.4.1.2 Control end wall.** Control end wall grab bars shall comply with Section 607.4.1.2.

**Exception:** An L-shaped continuous grab bar of equivalent dimensions and positioning shall be permitted to serve the function of separate vertical and horizontal grab bars.

**607.4.1.2.1 Horizontal grab bar.** A horizontal grab bar 24 inches (610 mm) minimum in length shall be provided on the control end wall beginning near 4 inches (100 mm) maximum from the front edge of the bathtub and extending toward the inside corner of the bathtub.

**607.4.1.2.2 Vertical grab bar.** A vertical grab bar 18 inches (455 mm) minimum in length shall be provided on the control end wall 3 inches (75 mm) minimum and 6 inches (150 mm) maximum above the horizontal grab bar, and 4 inches (100 mm) maximum inward from the front edge of the bathtub.

**Bathtubs with removeable in tub seats**

**607.4.2 Bathtubs with removable seats.** For bathtubs with removable seats, grab bars complying with Section 607.4.2 shall be provided.

**Figure 607.4.2 (A)**

GRAB BARS FOR BATHTUBS WITH REMOVABLE SEATS – ELEVATION

**Figure 607.4.2 (B)**

GRAB BARS FOR BATHTUBS WITH REMOVABLE SEATS - PLAN

**607.4.2.1 Back wall.** Two horizontal grab bars shall be provided on the back wall, one complying with Section 609.4 and the other located 8 inches (205 mm) minimum and 10 inches (255 mm) maximum above the rim of the bathtub. Each grab bar shall be 24 inches (610 mm) minimum in length, located 24 inches (610 mm) maximum from the head end wall and extend to 12 inches (305 mm) maximum from the control end wall.

**607.4.2.2 Control end wall.** Control end wall grab bars shall comply with Section 607.4.1.2.

**607.4.2.3 Head end wall.** A horizontal grab bar 12 inches (305 mm) minimum in length shall be provided on the head end wall at beginning 4 inches (100 mm) maximum from the front edge of the bathtub.

**Showers**

**608.3 Grab bars.** Grab bars shall comply with Section 609 and shall be provided in accordance with Section 608.3. Where multiple grab bars are used, required horizontal grab bars shall be installed at the same height above the floor.

**Exception:** Grab bars shall not be required to be installed in a shower for a single occupant, accessed only through a private office and not for common use or public use, provided reinforcement has been installed in walls and located so as to permit the installation of grab bars complying with Section 608.3.

## Transfer showers

**608.3.1 Transfer-type showers.** Grab bars for transfer type showers shall comply with Section 608.3.1.

### Figure 608.3.1 (A)

GRAB BARS IN TRANSFER-TYPE SHOWER – ELEVATION

### Figure 608.3.1 (B)

GRAB BARS IN TRANSFER-TYPE SHOWER - PLAN

**608.3.1.1 Horizontal grab bars.** Horizontal grab bars shall be provided across the control wall beginning 4 inches (100 mm) maximum from the front edge of the shower compartment and on the back wall to a point 18 inches (455 mm) from the control wall.

**608.3.1.2 Vertical grab bar.** A vertical grab bar 18 inches (455 mm) minimum in length shall be provided on the control end wall 3 inches (75 mm) minimum and 6 inches (150 mm) maximum above the horizontal grab bar, and 4 inches (100 mm) maximum inward from the front edge of the shower.

## Roll-in showers

**608.3.2 Standard roll-in-type showers.** Grab bars in standard roll-in showers shall comply with Sections 608.3.2.1 through 608.3.2.3.

### Figure 608.3.2 (A)

GRAB BARS IN STANDARD ROLL-IN-TYPE SHOWER  
ELEVATION

### Figure 608.3.2 (B)

GRAB BARS IN STANDARD ROLL-IN-TYPE SHOWER  
PLAN

**608.3.2.1 Back-wall grab bar.** In standard roll-in type showers, a grab bar shall be provided on the back wall beginning at the edge of the seat. The grab bars shall not be provided above the seat. The back-wall grab bar shall extend the length of the wall and extend within 6 inches (150 mm) maximum from the adjacent side wall opposite the seat.

#### Exceptions:

1. The back wall grab bar shall not be required to exceed 48 inches (1220 mm) in length.
2. The back-wall grab bar is not required to extend within 6 inches (150 mm) of the adjacent side wall opposite the seat if it would require the grab bar length to exceed 48 inches (1220 mm) in length.

**608.3.2.2 Side-wall grab bars.** Where a side wall is provided opposite the seat within 72 inches (1830 mm) of the seat wall, a grab bar shall be provided on the side-wall opposite the seat. The side wall grab bar shall extend the length of the wall beginning 4 inches (100 mm) maximum from the front edge of the shower compartment and extend within 6 inches (150 mm) maximum from the adjacent back wall.

**Exception:** The side-wall grab bar shall not be required to exceed 30 inches (760 mm) in length and shall be located with one end within 6 inches of the adjacent back wall.

**608.3.2.3 Vertical grab bar.** Where a side wall is provided opposite the seat within 72 inches (1830 mm) of the seat wall a vertical grab bar shall be provided. A vertical grab bar 18 inches (455 mm) minimum in

length shall be provided on the end wall 3 inches (75 mm) minimum and 6 inches (150 mm) maximum above the horizontal grab bar, and 4 inches (100 mm) maximum inward from the front edge of the shower.

### **Alternate roll-in showers**

**608.3.3 Alternate roll-in-type showers.** In alternate roll-in type showers, grab bars shall be provided on the back wall and the side wall adjacent to the seat. Grab bars shall not be provided above the seat. Grab bars shall be 6 inches (150 mm) maximum from the adjacent wall.

#### **Figure 608.3.3 (A)**

GRAB BARS IN ALTERNATIVE TOLL-IN-TYPE SHOWER – ELEVATION

#### **Figure 608.3.3 (B)**

## **SECTION 609 GRAB BARS**

**609.1 General.** Grab bars in toilet or bathing facilities shall comply with Section 609.

**609.2 Cross section.** Grab bars shall have a cross section complying with Section 609.2.1 or 609.2.2.

#### **Figure 609.2**

SIZE OF GRAB BARS

**609.2.1 Circular cross section.** Grab bars with a circular cross section shall have an outside diameter of 1<sup>1</sup>/<sub>4</sub> inch (32 mm) minimum and 2 inches (51 mm) maximum.

**609.2.2 Noncircular cross section.** Grab bars with a noncircular cross section shall have a cross section dimension of 2 inches (51 mm) maximum, and a perimeter dimension of 4 inches (100 mm) minimum and 4.8 inches (120 mm) maximum.

**609.3 Spacing.** The space between the wall and the grab bar shall be 1<sup>1</sup>/<sub>2</sub> inches (38 mm). The space between the grab bar and projecting objects below and at the ends of the grab bar shall be 1<sup>1</sup>/<sub>2</sub> inches (38 mm) minimum. The space between the grab bar and projecting objects above the grab bar shall be 12 inches (305 mm) minimum.

#### **Exceptions:**

1. The space between the grab bars and shower controls, shower fittings, and other grab bars above the grab bar shall be permitted to be 1<sup>1</sup>/<sub>2</sub> inches (38 mm) minimum.
2. Recessed dispensers projecting from the wall <sup>1</sup>/<sub>4</sub> inch (6.4 mm) maximum measured from the face of the dispenser and complying with Section 604.7 shall be permitted within the 12-inch (305 mm) space above and the 1<sup>1</sup>/<sub>2</sub>-inch (38 mm) spaces below and at the ends of the grab bar.

#### **Figure 609.3**

SPACING OF GRAB BARS

**609.4 Position of grab bars.** Grab bars shall be positioned in accordance with Section 609.4.1, 609.4.2, or 609.4.3 as applicable.



**609.4.1 General Horizontal grab bars.** Grab bars ~~shall required to~~ be installed in a horizontal position ~~shall be~~ 33 inches (840 mm) minimum and 36 inches (915 mm) maximum above the floor measured ~~to the top of the gripping surface~~ or ~~shall be installed as required by Items 1 through 3.~~

**Exception:**

- ~~1. The height of the lower grab bar on the back wall of a bathtub shall comply with Section 607.4.1.1 or 607.4.2.1.~~
- ~~2. Vertical grab bars shall comply with Sections 604.5.1.2, 607.4.1.2.2, 607.4.2.2 and 608.3.1.2.~~
- ~~3. Grab bars at water closets primarily for children's use shall comply with Section 609.4.2.~~

**609.4.2 Vertical grab bars.** ~~Grab bars required to be installed in the vertical position shall comply with Sections 604.5.1.2, 607.4.1.2.2, 607.4.2.2 and 608.3.1.2 as applicable. The location of vertical grab bars shall be measured horizontally to the center-line of the grab bar.~~

**609.4.2 609.4.3 Position of children's grab bars.** At water closets primarily for children's use complying with Section 604.11, grab bars ~~shall required to~~ be installed in a horizontal position ~~shall be~~ 18 inches (455 mm) minimum and 27 inches (685 mm) maximum above the floor measured to the ~~top of the gripping surface~~. A vertical grab bar shall be mounted with the bottom of the bar located ~~between~~ 21 inches (535 mm) minimum and 30 inches (760 mm) maximum above the floor and with the ~~centerline of the bar located~~ ~~between~~ 34 inches (865 mm) minimum and 36 inches (915 mm) maximum from the rear wall.

**Figure 609.4.2 609.4.3 (A)**

POSITIONS OF CHILDREN'S GRAB BARS  
SIDE-WALL VIEW

**Figure 609.4.2 609.4.3 (B)**

POSITIONS OF CHILDREN'S GRAB BARS  
REAR-WALL VIEW

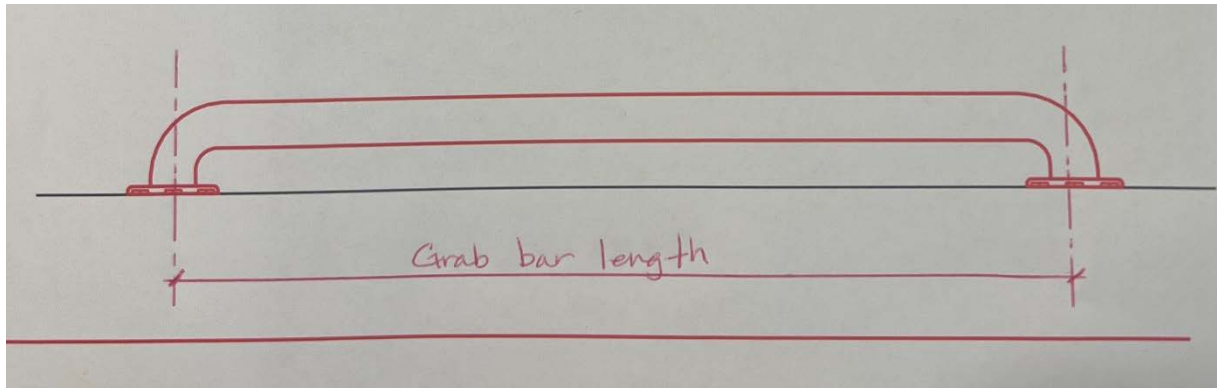
**609.5 Surface hazards.** Grab bars and any wall or other surfaces adjacent to grab bars shall be free of sharp or abrasive elements. Edges shall be rounded.

**609.6 Fittings.** Grab bars shall not rotate within their fittings.

**609.7 Installation and configuration.** Grab bars shall be installed in any manner that provides a gripping surface at the locations specified in this standard and does not obstruct the clear floor space. Horizontal and vertical grab bars shall be permitted to be separate bars, a single piece bar, or combination thereof.

**609.7.1 Length of grab bar.** ~~The required length of a horizontal grab bar shall be measured horizontally to the center-line of the grab bar return. The required length of a vertical grab bar shall be measured vertically to the center -line of the grab bar return.~~

**Exception:** ~~Where the grab bar extends past the wall supports, the required length of the grab bar shall be measured to the end of the grab bar.~~



Figure

609.7.2(A)

Grab bar length - Center-line of grab bar return

Figure

609.7.2(B)

Grab bar length - Example or exception

**609.8 Structural strength.** Allowable stresses shall not be exceeded for materials used where a vertical or horizontal force of 250 pounds (1112 N) is applied at any point on the grab bar, fastener mounting device, or supporting structure.

**Reason:** The intent is to uniformly call out the length and location of horizontal and vertical grab bars – height, length and where to measure.

6-43 – **Incorporated.** The intent of this proposal is the measurement to the top of the horizontal bar and the centerline of the vertical grab bar. Top of the horizontal bar is already in 609.4.1. Centerline of the vertical bar should also be stated there. Currently only indicated for toilets (604.5.1.2).

6-44 – **Incorporated.** If the intent of this proposal is to set a maximum distance from the front for the horizontal bars on the control wall for bathtubs. This should be uniformly applied for tubs and showers.

6-78 – **Incorporated.** We agree that splitting this into three sections makes it easier to understand than the current text. This allows for the location for the vertical grab bar to be set at the centerline. The proposed text added too many words in the first sentence to avoid an exception. For vertical grab bars the proposal was not consistent in terms and used “and any object shall be measured from the object to the centerline of the bar”. This sounds more like an obstruction – which is addressed in spacing in 609.3. Location is covered enough in the existing text for each configuration.

6-79- **Oppose.** Same height for adjacent multiple bars on adjacent walls is addressed for showers in 608.3. The proposed text would be an issue for as written for bathtubs with two back wall grab bars. At water closets this could be an issue for access into the water closet tank for repairs. There is not technical justification for the ½” limitation.

6-80 – **Incorporated.** The intent it for how to measure for the end of the bars. Suggestions for cleaner language was added.

---

Committee Action: AM 25-1-3

**REPORT OF HEARING:**

**Modification (if any):** See the replacement modification listed above.

**Committee Reason:** The modification combined the concerns for measuring the location and lengths of grab bars in proposals 06-43, 06-44, 06-78 and 06-80. The modifications provide consistent language for toilets, tubs and showers. The committee felt that this proposal clarified the intent of the provisions.

609.7.1-PAARLBERG.doc

---

## 06-80 – 2021 Ballot Comments

BALLOT COMMENT 1- FIRST DRAFT:	
Proponent:	<i>Kimberly Paarlberg, ICC</i>
Desired Action:	Affirmative with comment
Modification:	
Reason:	This is the change for coordination of measurement for grab bars. See coordination with 06-62-21.
BALLOT COMMENT 2- FIRST DRAFT:	
Proponent:	<i>Kyle Thompson, PMI</i>
Desired Action:	Negative with comment
Modification:	
Reason:	The committee action on this item was disapproval.

**Committee Action for First Ballot:**

**REPORT OF HEARING:**

**Modification (if any):**

**Committee Reason:**

---

Report for 06-80– 2021		
Committee decision: AM	Committee Vote at Meeting: 25-1-3	Committee Vote on Ballot: 38-2-1
<b>REPORT OF HEARING:</b> Modification (if any):  Replace with the following:  <b>604.5.1.2 Vertical grab bar.</b> A vertical grab bar 18 inches (455 mm) minimum in length shall be mounted with the bottom of the bar located 39 inches (990 mm) minimum and 41 inches (1040 mm) maximum above the floor, and <del>with the center line of the bar</del> located 39 inches (990 mm) minimum and 41 inches (1040 mm) maximum from the rear wall.  <b>607.4.1.2.1 Horizontal grab bar.</b> A horizontal grab bar 24 inches (610 mm) minimum in length shall be provided on the control end wall beginning <del>near 4 inches (100 mm) maximum from</del> the front edge of the bathtub and extending toward the inside corner of the bathtub.		

## Report for 06-80– 2021

**607.4.2.3 Head end wall.** A horizontal grab bar 12 inches (305 mm) minimum in length shall be provided on the head end wall at beginning 4 inches (100 mm) maximum from the front edge of the bathtub.

**608.3.1.1 Horizontal grab bars.** Horizontal grab bars shall be provided across the control wall beginning 4 inches (100 mm) maximum from the front edge of the shower compartment and on the back wall to a point 18 inches (455 mm) from the control wall.

**608.3.2.2 Side-wall grab bars.** Where a side wall is provided opposite the seat within 72 inches (1830 mm) of the seat wall, a grab bar shall be provided on the side-wall opposite the seat. The side wall grab bar shall extend the length of the wall beginning 4 inches (100 mm) maximum from the front edge of the shower compartment and extend within 6 inches (150 mm) maximum from the adjacent back wall.

**Exception:** The side-wall grab bar shall not be required to exceed 30 inches (760 mm) in length and shall be located with one end within 6 inches of the adjacent back wall.

**609.4 Position of grab bars.** Grab bars shall be positioned in accordance with Section 6094.1, 609.4.2, or 609.4.3 as applicable.

**609.4.1 General Horizontal grab bars.** Grab bars shall required to be installed in a horizontal position shall be 33 inches (840 mm) minimum and 36 inches (915 mm) maximum above the floor measured to the top of the gripping surface or shall be installed as required by Items 1 through 3.

**Exception:**

1. The height of the lower grab bar on the back wall of a bathtub shall comply with Section 607.4.1.1 or 607.4.2.1.
2. Vertical grab bars shall comply with Sections 604.5.1.2, 607.4.1.2.2, 607.4.2.2 and 608.3.1.2.
3. Grab bars at water closets primarily for children's use shall comply with Section 609.4.2.

**609.4.2 Vertical grab bars.** Grab bars required to be installed in the vertical position shall comply with Sections 604.5.1.2, 607.4.1.2.2, 607.4.2.2 and 608.3.1.2 as applicable. The location of vertical grab bars shall be measured horizontally to the center-line of the grab bar.

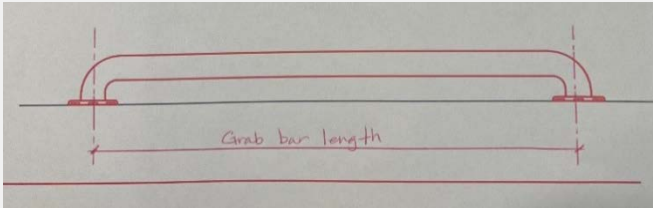
**609.4.2 609.4.3 Position of children's grab bars.** At water closets primarily for children's use complying with Section 604.11, grab bars shall required to be installed in a horizontal position shall be 18 inches (455 mm) minimum and 27 inches (685 mm) maximum above the floor measured to the top of the gripping surface. A vertical grab bar shall be mounted with the bottom of the bar located between 21 inches (535 mm) minimum and 30 inches (760 mm) maximum above the floor and with the centerline of the bar located between 34 inches (865 mm) minimum and 36 inches (915 mm) maximum from the rear wall.

**Figure 609.4.2 609.4.3 (A)**  
POSITIONS OF CHILDREN'S GRAB BARS  
SIDE-WALL VIEW

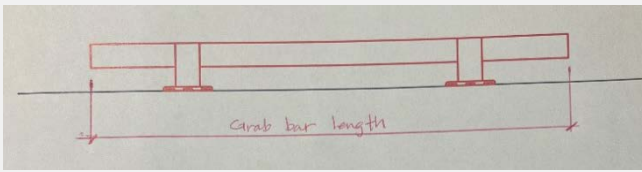
**Figure 609.4.2 609.4.3 (B)**  
POSITIONS OF CHILDREN'S GRAB BARS  
REAR-WALL VIEW

**609.7.1 Length of grab bar.** The required length of a horizontal grab bar shall be measured horizontally to the center-line of the grab bar return. The required length of a vertical grab bar shall be measured vertically to the center -line of the grab bar return.

**Exception:** Where the grab bar extends past the wall supports, the required length of the grab bar shall be measured to the end of the grab bar.



**Figure 609.7.2(A)**  
Grab bar length - Center-line of grab bar return



**Figure 609.7.2(B)**  
Grab bar length - Example or exception

Committee Reason: The modification combined the concerns for measuring the location and lengths of grab bars in proposals 06-43, 06-44, 06-78 and 06-80. The modifications provide consistent language for toilets, tubs and showers. The committee felt that this proposal clarified the intent of the provisions.

### BALLOT COMMENT 1- FIRST DRAFT:

Proponent: *Kimberly Paarlberg, ICC*

Desired Action: Affirmative with comment

Modification:

Reason: This is the change for coordination of measurement for grab bars. See coordination with 06-62-21.

### BALLOT COMMENT 2- FIRST DRAFT:

Proponent: *Kyle Thompson, PMI*

Desired Action: Negative with comment

Modification:

**Report for 06-80– 2021**

Reason: The committee action on this item was disapproval.

**Committee decision: AS/AMD****Committee Vote at Meeting:****Committee Vote on Ballot:****REPORT OF HEARING – FIRST DRAFT**

Modification (if any):

Committee Reason:

**BALLOT COMMENT- SECOND DRAFT:**

Proponent:

Desired Action:

Modification:

Reason:

**Committee decision: AS/AMD****Committee Vote at Meeting:****Committee Vote on Ballot:****FINAL ACTION:**

Modification (if any):

Committee Reason:

## 06-81 – 2021 overview

Proposal number	Proponent	Standard Sections	Committee Actions	Mtg. Date	Notes; Groups; groupings
06-81	Anderson – Accessible bathing	610.2.1(New), 610.2.2(New), 610.2.3(New), Figures 610.2(A), 610.2(B), 610.2.3(New)	D 24-3-0	10-20-22	Bathing- 06-41, 42 & 45 replace 06-41, 42, 45, 50, 81

Comment	Proponent	Requested Action	Committee Action	Mtg. Date	Notes; Groups; groupings
BC1	Anderson, AHLA	Negative			

BC= Ballot Comment, PC= Public comment, **Bold Comment number** is proposed revision below

## 06-81 – 2021

**610.2.1(New), 610.2.2(New), 610.2.3(New), Figures 610.2(A), 610.2(B), 610.2.3(New)**

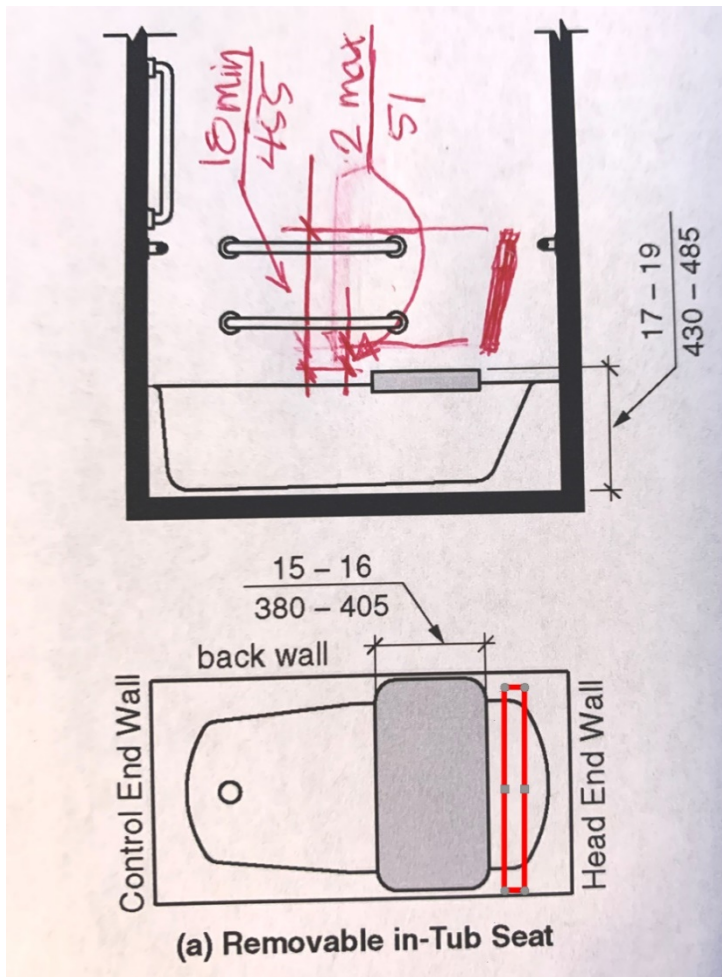
**Proponent:** Doug Anderson, representing A117.1 Accessible Bathing Task Group

**Revise as follows:**

### SECTION 610 SEATS

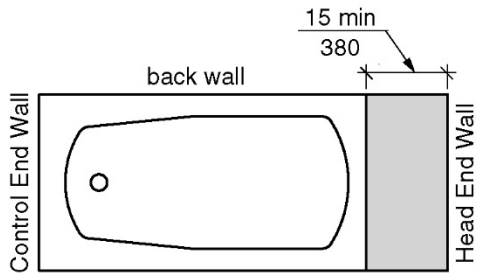
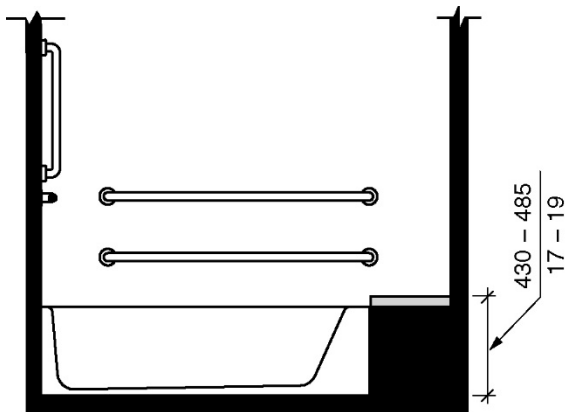
**610.2 Bathtub seats.** The height of bathtub seats shall be 17 inches (430 mm) minimum and 19 inches (485 mm) maximum above the bathroom floor, measured to the top of the seat.

**610.2.1 Removable in-tub seats.** Removable in-tub seats shall be 15 inches (380 mm) minimum and 16 inches (405 mm) maximum in depth and shall provide a back support that shall extend from a point 2 inches (51 mm) maximum above the seat surface to a point 18 inches (455 mm) minimum above the seat surface. Removable in-tub seats shall be capable of secure placement with the back edge of the seat positioned 35 to 37 inches from the foot control wall.



**FIGURE 610.2(A) 610.2.1  
BATHTUB SEATS  
REMOVABLE IN-TUB SEATS**

**610.2.2 Permanent Bathtub Seats.** Permanent bathtub seats shall be 15 inches (380 mm) minimum in depth and shall extend from the back wall to or beyond the outer edge of the bathtub. Permanent seats shall be positioned at the head end of the bathtub.

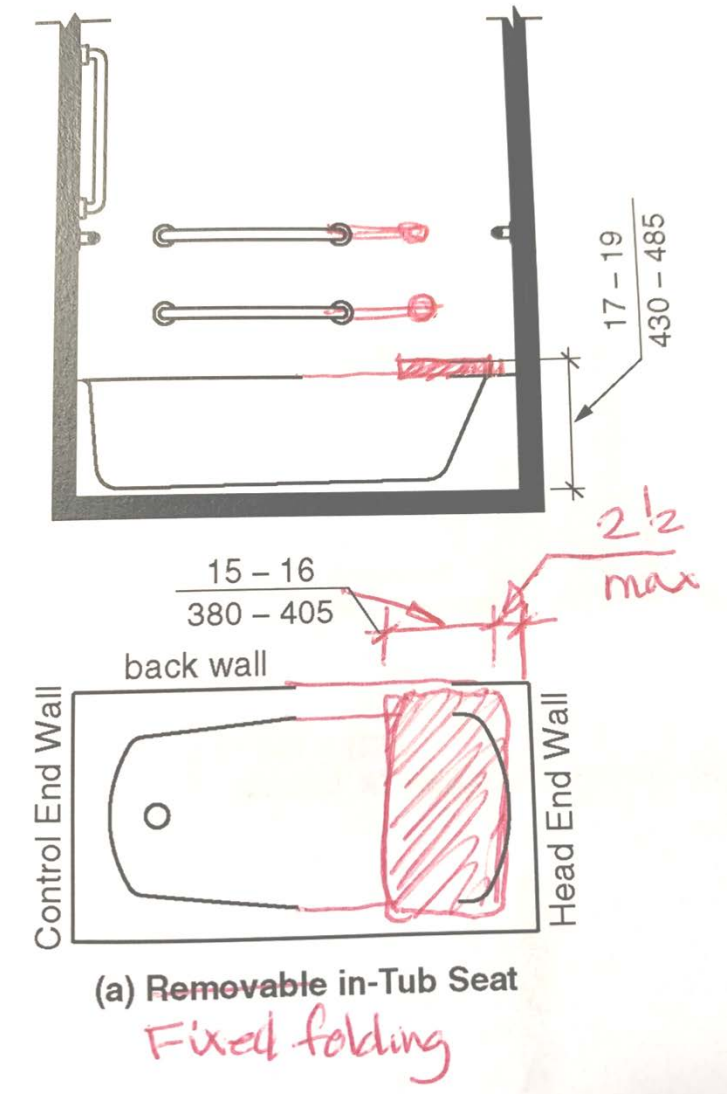


(b) Seat provided at head end of tub

**FIGURE 610.2(B) 610.2.2  
BATHTUB SEATS  
SEAT PROVIDED AT HEAD END OF TUB**

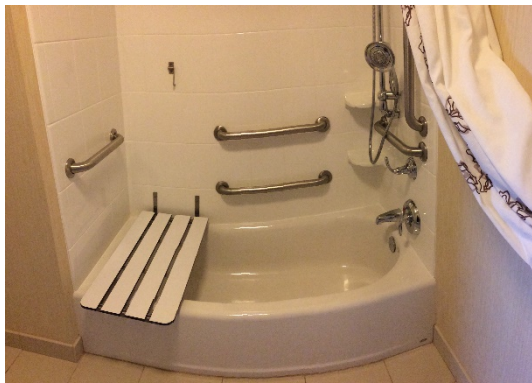
**610.2.3 Fixed folding in-tub seats.** Fixed folding in-tub seats must be rectangular and shall be mounted on the head wall. The rear edge of a rectangular seat shall be 21/2 inches (64 mm) maximum and the front edge shall be 15 inches (380 mm) minimum and 16 inches (405 mm) maximum from the head wall. The side edge of the seat shall be 11/2 inches (38 mm) maximum from the back wall.





**FIGURE 610.2.3**  
**BATHTUB SEATS**  
**FIXED FOLDING IN-TUB SEATS**

**REASON:** This proposal is seeking to provide better direction to the industry on the type and placement of tub seats. The photos are to illustrate what this proposal is talking about.



**Staff Note:** This proposal is from the A117.1 Accessible Bathing Task Group. Proposals 06-41, 06-42, 06-45, 06-50 and 06-81 are all related to bathtubs with a fixed folding in-tub seat.

**Committee Reason:** Committee Action: Disapproval 24-3-0

**REPORT OF HEARING:**

**Modification (if any):**

**Committee Reason:** Proposals 06-41, 06-42, 06-45, 06-50 and 06-81 are all related to bathtubs. Modifications to 06-41, 06-42 and 06-45 will replace the 5 proposal (separated by section) with 3 proposals (separated to one for each type of bathtub seat configuration).

This proposal was disapproved based on the committee actions for 06-41, 06-42 and 06-45.

**610.2-ANDERSON.doc**

**06-81 – 2021 Ballot Comments**

<b>BALLOT COMMENT 1- FIRST DRAFT:</b>
Proponent: <i>Doug Anderson, AHLA</i>
Desired Action: <b>Negative with comment</b>
Modification:
Reason: This is needed for safety reasons

**Committee Action for First Ballot:**

**REPORT OF HEARING:**

**Modification (if any):**

**Committee Reason:**

<b>Report for 06-81– 2021</b>		
<i>Committee decision: D</i>	<i>Committee Vote at Meeting: 24-3-0</i>	<i>Committee Vote on Ballot:39-1-1</i>
<b>REPORT OF HEARING:</b>		
Modification (if any):		
Committee Reason: Proposals 06-41, 06-42, 06-45, 06-50 and 06-81 are all related to bathtubs. Modifications to 06-41, 06-42 and 06-45 will replace the 5 proposal (separated by section) with 3 proposals (separated to one for each type of bathtub seat configuration).		
This proposal was disapproved based on the committee actions for 06-41, 06-42 and 06-45.		
<b>BALLOT COMMENT 1- FIRST DRAFT:</b>		
Proponent: <i>Doug Anderson, AHLA</i>		
Desired Action: <b>Negative with comment</b>		
Modification:		
Reason: This is needed for safety reasons		
<i>Committee decision: AS/AMD</i>	<i>Committee Vote at Meeting:</i>	<i>Committee Vote on Ballot:</i>
<b>REPORT OF HEARING – FIRST DRAFT</b>		
Modification (if any):		
Committee Reason:		
<b>BALLOT COMMENT- SECOND DRAFT:</b>		
Proponent:		
Desired Action:		
Modification:		

**Report for 06-81– 2021**

Reason:

**Committee decision: AS/AMD**

**Committee Vote at Meeting:**

**Committee Vote on Ballot:**

**FINAL ACTION:**

Modification (if any):

Committee Reason:

## 06-82 – 2021 overview

Proposal number	Proponent	Standard Sections	Committee Actions	Mtg. Date	Notes; Groups; groupings
06-82	Steinfeld	610.3	AS 22-2-1: D 17-4-3	11-17-2022	Bathing related

Comment	Proponent	Requested Action	Committee Action	Mtg. Date	Notes; Groups; groupings
BC1	Pace, HUD	Affirmative			

BC= Ballot Comment, PC= Public comment, **Bold Comment number** is proposed revision below

## 06-82 – 2021 610.3

**Proponent:** Ed Steinfeld, IDEA Center, University of Buffalo representing RESNA

**Revise as follows:**

### SECTION 610 SEATS

**610.3 Shower Compartment Seats.** The height of shower compartment seats shall be 17 inches (430 mm) minimum and ~~19~~ 20 inches (~~485~~ 510 mm) maximum above the bathroom floor, measured to the top of the seat. In transfer-type and alternate roll-in-type showers, the seat shall extend along the seat wall to a point within 3 inches (75 mm) of the compartment entry. In standard roll-in-type showers, the seat shall extend from the control wall to a point within 3 inches (75 mm) of the compartment entry. Seats shall comply with Section 610.3.1 or 610.3.2.

**EXCEPTION:** An accessible seat which is adjustable in height shall be permitted where the seat is adjustable within a range of 15 inches (380 mm) minimum to 25 inches (635 mm) maximum, provided that at least one adjustment setting provides a seat within the range specified in this section.

---

**REASON:** The current standard does not reflect the findings of recent research. The existing dimensions are based on 1970's data. Since that time, new wheelchair technology, particularly the common use of cushions and other seating supports designed to reduce pressure ulcers and position people for improved social interaction and use of equipment, have led to increased seat heights. See Design Resources: Analysis of Seat Height for Wheeled Mobility Devices at <http://idea.ap.buffalo.edu/wp-content/uploads/sites/110/2019/08/23.pdf> The above proposed revision is consistent with this research.

---

Committee Action: split question – 610.3 AS 22-2-1; exception AS 11-12-2; D 17-4-3

**REPORT OF HEARING:**

**Modification (if any):**

**Further revise as follows:**

### SECTION 610

## SEATS

**610.3 Shower Compartment Seats.** The height of shower compartment seats shall be 17 inches (430 mm) minimum and 20 inches (510 mm) maximum above the bathroom floor, measured to the top of the seat. In transfer-type and alternate roll-in-type showers, the seat shall extend along the seat wall to a point within 3 inches (75 mm) of the compartment entry. In standard roll-in-type showers, the seat shall extend from the control wall to a point within 3 inches (75 mm) of the compartment entry. Seats shall comply with Section 610.3.1 or 610.3.2.

~~**EXCEPTION:** An accessible seat which is adjustable in height shall be permitted where the seat is adjustable within a range of 15 inches (380 mm) minimum to 25 inches (635 mm) maximum, provided that at least one adjustment setting provides a seat within the range specified in this section.~~

**Committee Reason:** The committee split the question between the change in Section 610.3 and the exception. The allowance for the shower seat to be higher is based on the anthropometric study and would improve access for persons using a mobility aids with higher seats. The exception is not needed because someone would always choose to provide an option that improved access. In addition, there were concerns about the operation of an adjustable option without technical requirements.

610.2-STEINFELD.doc

## 06-82 – 2021 Ballot Comments

### BALLOT COMMENT 1- FIRST DRAFT:

Proponent: *Rex Pace, HUD*

Desired Action: Affirmative with comment

Modification:

Reason: The vote against this exception does not dispute the legitimacy or wisdom of the range for an adjustable seat height. Rather it is simply that a fix height seat heigh for showers is permitted to begin with and therefore any adjustable range would exceed the minimum requirement. Additionally, this is currently what is achievable for a fixture of this nature. The adjustable height range is encouraged as a best practice that, hopefully, future technology will readily permit.

### Committee Action for First Ballot:

### REPORT OF HEARING:

### Modification (if any):

### Committee Reason:

#### Report for 06-82– 2021

Committee decision: AS/D

Committee Vote at Meeting: 22-2-2/17-4-3

Committee Vote on Ballot:39-1-1

#### REPORT OF HEARING:

Modification (if any):

Further revise as follows:

#### SECTION 610 SEATS

**610.3 Shower Compartment Seats.** The height of shower compartment seats shall be 17 inches (430 mm) minimum and 20 inches (510 mm) maximum above the bathroom floor, measured to the top of the seat. In transfer-type and alternate roll-in-type showers, the seat shall extend along the seat wall to a point within 3 inches (75 mm) of the compartment entry. In standard roll-in-type showers, the seat shall extend from the control wall to a point within 3 inches (75 mm) of the compartment entry. Seats shall comply with Section 610.3.1 or 610.3.2.

**Report for 06-82- 2021**

**EXCEPTION:** An accessible seat which is adjustable in height shall be permitted where the seat is adjustable within a range of 15 inches (380 mm) minimum to 25 inches (635 mm) maximum, provided that at least one adjustment setting provides a seat within the range specified in this section.

Committee Reason: The committee split the question between the change in Section 610.3 and the exception. The allowance for the shower seat to be higher is based on the anthropometric study and would improve access for persons using a mobility aids with higher seats. The exception is not needed because someone would always choose to provide an option that improved access. In addition, there were concerns about the operation of an adjustable option without technical requirements.

**BALLOT COMMENT 1- FIRST DRAFT:**

Proponent: *Rex Pace, HUD*

Desired Action: Affirmative with comment

Modification:

Reason: The vote against this exception does not dispute the legitimacy or wisdom of the range for an adjustable seat height. Rather it is simply that a fix height seat heigh for showers is permitted to begin with and therefore any adjustable range would exceed the minimum requirement. Additionally, this is currently what is achievable for a fixture of this nature. The adjustable height range is encouraged as a best practice that, hopefully, future technology will readily permit.

**Committee decision:** *AS/AM/D*

**Committee Vote at Meeting:**

**Committee Vote on Ballot:**

**REPORT OF HEARING – FIRST DRAFT**

Modification (if any):

Committee Reason:

**BALLOT COMMENT- SECOND DRAFT:**

Proponent:

Desired Action:

Modification:

Reason:

**Committee decision:** *AS/AM/D*

**Committee Vote at Meeting:**

**Committee Vote on Ballot:**

**FINAL ACTION:**

Modification (if any):

Committee Reason:

## 06-84 – 2021 overview

Proposal number	Proponent	Standard Sections	Committee Actions	Mtg. Date	Notes; Groups; groupings
06-84	Carpenter-Assisted toileting and bathing	611(New)	AS-31-1-3	3-24-2022	

Comment	Proponent	Requested Action	Committee Action	Mtg. Date	Notes; Groups; groupings
BC1	Schoonover	Affirmative			
<b>PC1</b>	Carpenter, Paarlberg	AM			
<b>PC2</b>	Terminology	AM			Editorial

BC= Ballot Comment, PC= Public comment, **Bold Comment number** is proposed revision below

## 06-84 – 2021

611(New)

**Proponent:** Amy Carpenter, representing Assisted Toileting and Bathing work group

Add new text as follows:

### SECTION 611 ASSISTED TOILET AND BATHING ROOMS

**611.1 General.** Individual use bathrooms for assisted toileting and bathing shall comply with Section 611.

#### **611.2 Clearances.**

**611.2.1 Turning Space.** A turning space shall be provided within the room.

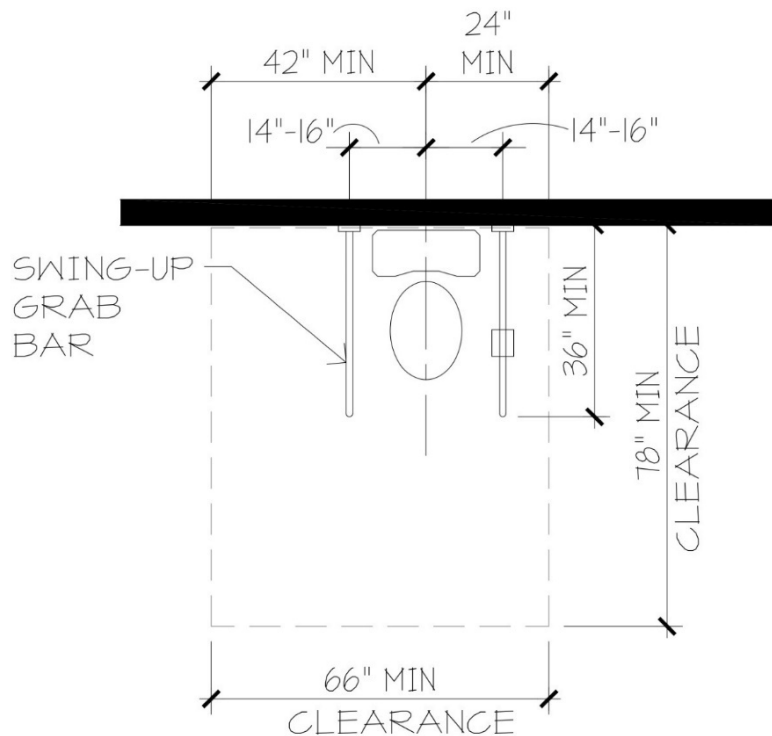
**611.2.2 Door Swing.** Doors shall not swing into the bathroom.

**Exception:** Where a clear floor space complying with Section 305.3 is provided in the room beyond the arc of the door and emergency rescue door hardware, that allows the door to be swung out of the room, is provided.

**611.3 Mirrors.** A mirror shall be mounted with the bottom edge of the reflecting surface 40 inches (1015 mm) maximum above the floor.

**611.4 Coat Hooks.** Coat hooks shall be located within one of the reach ranges specified in Section 308.

**611.5 Water Closets.** Water closets for assisted toileting shall comply with Section 611.5.



**FIGURE 611.5**  
**ASSISTED USE WATER CLOSET**

**611.5.1 Clearance width.** Clearance around the water closet shall be 66 inches (1676 mm) minimum. A minimum dimension of 24 inches (609 mm) shall be provided on each side, measured from the centerline of the water closet.

**611.5.2 Clearance depth.** Clearance around the water closet shall be 78 inches (1981 mm) minimum in depth, measured perpendicular from the rear wall.

**611.5.3 Clearance overlap.** The required clearance around the water closet shall be permitted to overlap the water closet, associated grab bars, paper dispensers, sanitary napkin receptacles, coat hooks, shelves, accessible routes, clear floor space at other fixtures and the turning space. Towel bars that meet the strength requirements of Section 609.8 shall be permitted to overlap the clearance at the water closet. No other obstructions shall be within the required water closet clearance.

**611.5.4 Height.** The height of the water closet shall comply with Section 604.4

**611.5.5 Grab bars.** Grab bars for assisted toileting shall comply with Sections 611.5.5.1 through 611.5.5.6

**611.5.5.1** Swing up grab bars shall be provided at both sides of the water closet.

**611.5.5.2** Swing up grab bars shall be located 14 to 16 inches (355 to 406 mm) from the centerline of the water closet.



**611.5.5.3** Swing up grab bars shall extend a minimum of 36 inches (915 mm), measured perpendicular from the rear wall to the furthest projection of the bar.

**611.5.5.4** The height of the Swing up grab bar, when in the down position, shall be 30 inches (760 mm) minimum and 34 inches (865 mm) maximum measured from the floor to the topmost portion of the bar.

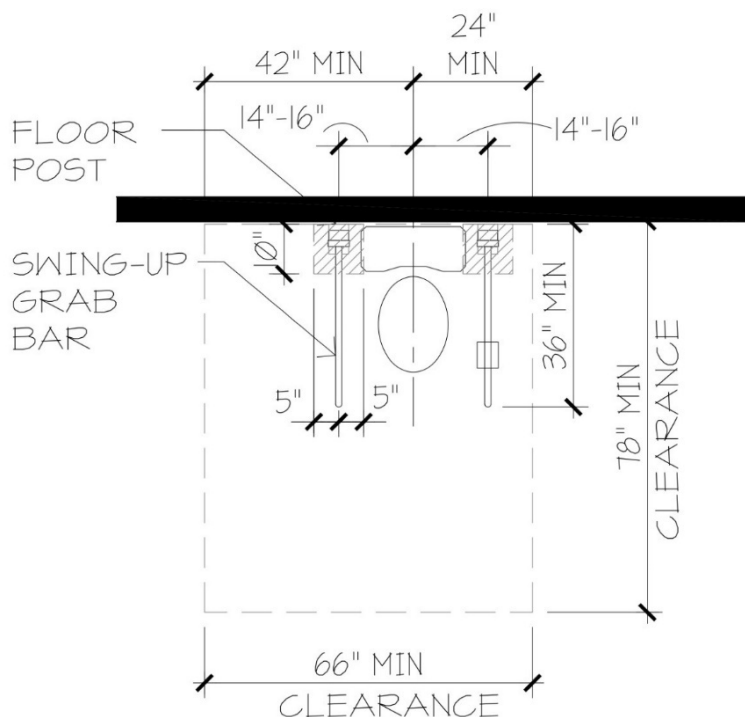
**611.5.5.5** Swing up grab bars shall meet structural strength requirements per Section 609.8.

**Exception:** Swing up bars are not required to resist required forces when being moved upward to the vertical position.

**611.5.5.6** A floor-mounted support post, complying with Section 611.5.6 shall be permitted as an alternate to mounting swing up grab bars directly to a reinforced wall behind the toilet.

**611.5.6 Floor-mounted support post.** A floor-mounted support post, used as an alternate means of support for swing up grab bars shall be designed to meet the structural strength requirements of Section 609.8 and shall be permitted to be located within the clearance around the water closet provided it meets all of the following:

1. The floor plate and post shall not extend more than 10 inches (254 mm) in depth measured perpendicular to the back wall.
2. The floor plate and post shall not extend more than 5 inches (127 mm) in width, measured from the centerline of the grab bar to either side.
3. The post location shall not block access to the flush controls, and
4. The floor plate and post shall not overlap any other required clearances or turning space.



**FIGURE 611.5.6**  
**ASSISTED USE WATER CLOSET**

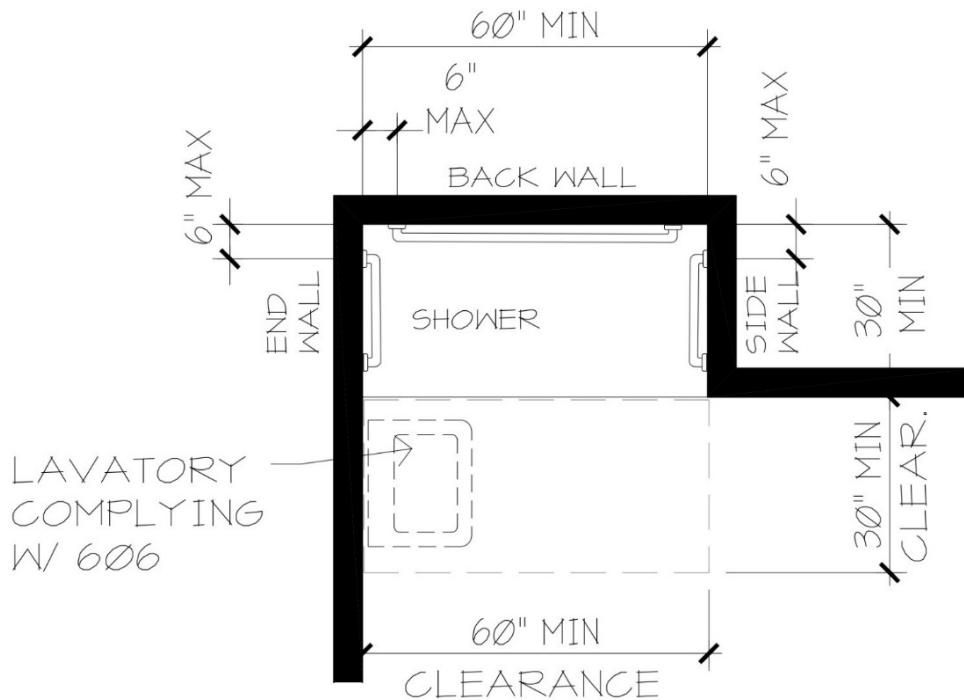
## FLOOR-MOUNTED SUPPORT POSTS

**611.5.7 Flush Controls.** Flush controls shall comply with Section 604.6

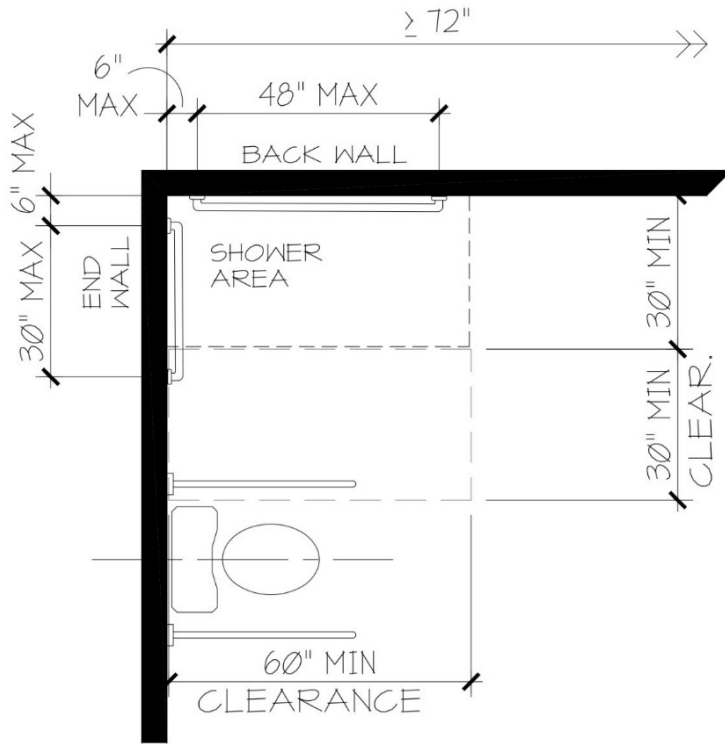
**611.5.8 Dispensers.** Toilet paper dispensers shall be mounted on at least one of the swing up grab bars and shall be located at 24 inches (610 mm) minimum to 36 inches (915 mm) maximum measured perpendicular to the rear wall. Dispensers shall not be of a type that control delivery or do not allow continuous paper flow.

**611.6 Lavatories and Sinks.** Where a lavatory or sink is provided inside the room used for assisted toileting and bathing, it shall comply with Section 606.

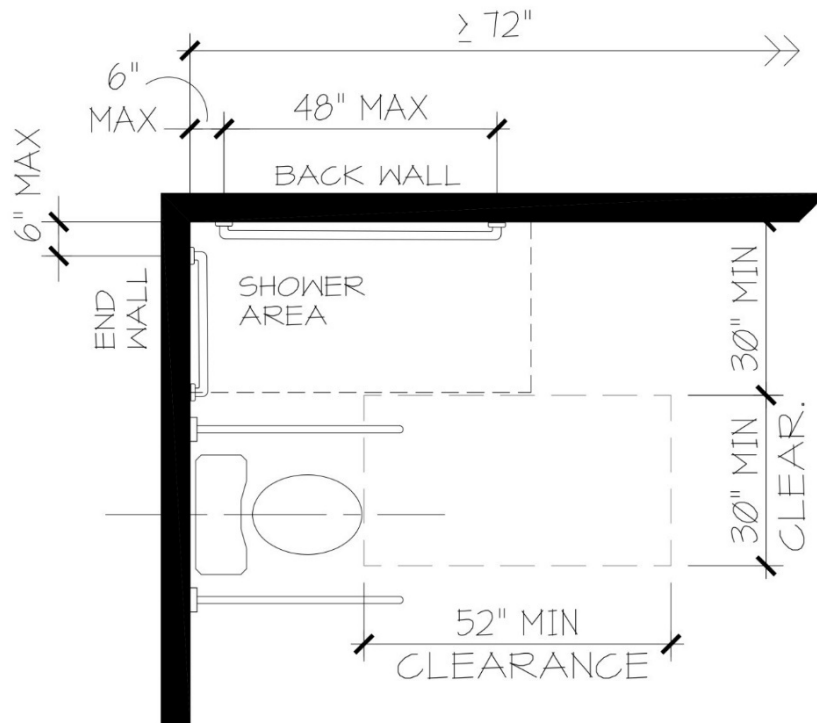
**611.7 Showers.** Roll-in showers for assisted bathing shall comply with Section 611.7.



**FIGURE 611.7(A)**  
**ROLL-IN SHOWERS FOR ASSISTED BATHING**  
**OPTION 1**



**FIGURE 611.7(B)**  
**ROLL-IN SHOWERS FOR ASSISTED BATHING**  
**OPTION 2**



**FIGURE 611.7(C)**  
**ROLL-IN SHOWERS FOR ASSISTED BATHING**  
**OPTION 3**

**611.7.1 Size.** A roll-in shower area for assisted bathing shall have a clear inside dimension of 60 inches (1525 mm) minimum in length and 30 inches (760 mm) minimum in depth, measured at the center point of opposing sides.

**611.7.2 Clearance.** A clearance of 60 inches (1525 mm) minimum in length adjacent to the long side of the shower area, and 30 inches (760 mm) minimum in depth, shall be provided.

**Exceptions:**

1. A lavatory complying with Section 606 shall be permitted at one end of the clearance
2. Where the shower area exceeds minimum sizes, the clear floor space shall be placed 30 inches (760 mm) minimum from the back wall and the length shall be parallel to the back wall.

**611.7.3 Seat.** A fixed folding or non-folding wall-mounted seat is not permitted.

**611.7.4 Grab bars.** Grab bars shall comply with Section 609 and shall be provided in accordance with Section 611.7.4.1

**611.7.4.1** Horizontal grab bars in roll-in showers for assisted bathing shall be provided on the back wall, end wall and side wall. Grab bars shall extend within 6 inches (150 mm) maximum from adjacent walls.

**Exceptions:**

1. The back-wall grab bar shall not be required to exceed 48 inches (1220 mm) in length.
2. End-wall and side-wall grab bars shall not be required to exceed 30 inches (760 mm) in length.

3. If the back-wall length is 72 inches (1830 mm) or greater, a side-wall grab bar is not required.

**611.7.5 Controls.** On/off and temperature adjustment controls for roll-in showers for assisted bathing shall comply with Section 309.4 and shall comply with all of the following:

1. Installed at a height of 38 inches (965 mm) minimum and 48 inches (1220 mm) maximum above the shower floor,
2. Located either on the end wall or side wall, 18 inches (455 mm) minimum and 48 inches (1220 mm) maximum from the back wall, and
3. Located to allow access by a caregiver and minimize reaching through the water stream  
**Exception:** Where the back wall length is 72 inches (1830 mm) or greater, controls are permitted to be located on the back wall at a height of 38 inches (965 mm) minimum and 48 inches (1220 mm) maximum above the shower floor and 27 inches (685 mm) minimum and 60 inches (1525 mm) maximum from the end wall.

**611.7.6 Hand Showers.** At least one hand shower complying with Section 309.4, Section 608.5 and Section 611.7.6 shall be provided in roll-in showers for assisted bathing. The hand shower shall be located:

1. At a height of 38 inches (965 mm) minimum and 48 inches (1220 mm) maximum above the shower floor, and
2. On the end wall, back wall or side wall within the shower area.

**611.7.7 Thresholds.** Thresholds in roll-in showers for assisted bathing shall comply with Section 608.6

**611.7.8 Shower enclosures.** Shower area enclosures shall not obstruct access to controls or hand shower from outside the shower area. Floor mounted enclosures shall maintain a minimum clear opening width of 41.5 inches (1054 mm) with no added threshold.

**611.7.9 Water Temperature.** Water Temperature shall comply with Section 608.8.

---

**REASON:** This proposed new section is meant to provide an alternative compliance path for a percentage of the fully accessible units that are required in Nursing Homes and Assisted Living residences. These changes are specifically aimed at addressing the needs of older adults who live in care settings (receiving custodial care and/or medical care). It is our intent that Owners/Operators of these care settings can choose have some units comply with these alternatives in lieu of complying with traditional accessible unit requirements. A rehabilitation facility that serves primarily younger people, with spinal cord injuries, would likely not choose to have any units meet this alternate standard. However, many nursing homes serving elders, where the average age of resident is usually around 88 – 90 years old, would likely choose to have as many units as possible meet this alternate standard.

The 2021 International Building Code, Chapter 11 introduced these measures into the code as the deadline for inclusion in the last edition of the Standard had passed. We are hoping to include this language in the Standard this cycle and remove the language from IBC Chapter 11. The ICC A117.1 committee approved a work group to develop criteria for assisted toileting and bathing. Meetings were held every two weeks and were open to the public. In addition to the members of the task group, there was participation by a variety of interested parties. The language contained within this proposal was developed and reviewed by the work group and a consensus was reached.

The language contained in this proposal is based on research sponsored by the Mayer-Rothschild Foundation as well as direct experience and feedback from caregivers and gerontologists, along with the input of the task group. The intent of the language is to be flexible to cover the needs of elders as they decline in

ability over time and gradually need more support and caregiver assistance in all activities of daily living. While they may be able to independently shower or transfer to the toilet when they first move in to a care community, their needs do increase over time. Many do become completely dependent on assistance by one or more caregivers. The proposal seeks to strike a balance between the accessibility needs of both the elder resident as well as the needs of the care staff.

It was decided to place all requirements around assisted bathing and toileting into a distinct section to aid with use of the Standard and keep all requirements together. If the Committee would prefer to disperse the requirements into Section 604 and 608, we would be OK with that change.

### **Assisted toileting:**

Current existing accessibility provisions contained in the standard do not adequately the needs of older adults as they lose upper body strength and mobility. They simply do not have the strength to use wall-mounted grab bars at toilets to accomplish a transfer. Additionally, many have balance issues that require additional support on both sides of the toilet. Further, most residents in care settings, although they may use wheelchairs for mobility, still have some use of their legs and most can bear weight on one or both legs. Therefore, the requirements meant to address the needs fully paralyzed or quadriplegic persons is not necessarily beneficial to elders.

A search of CMS data shows only 1% of residents in nursing homes, nationwide, have a diagnosis of quadriplegia or paraplegia. With a minimum of 50% of nursing home resident rooms being required to meet current standards, an average of 49% of these rooms are simply not working well for the residents who live there. Falls in bathrooms are one of the largest risks of injury and death in nursing homes.

Research sponsored by the Mayer-Rothschild foundation studied how elders in care settings transfer on and off the toilet, both independently and with staff assistance. The dimensions and clearances contained in this proposal are all based on these recommendations. Most important is the additional space provided on both sides of the toilet over the traditional 18 inches contained in the Standard. This added space is critical for allowing care staff to stand alongside the toilet to assist with sitting and standing without injuring themselves. This additional clearance around the toilet also makes maneuvering of various lift devices easier, along with giving residents using mobility devices more space to maneuver.

The inclusion of a floor mounted support post to attach the swing-up grab bars to was considered to be an important component for both new and existing construction. The Rothschild study calls for the grab bar to extend 6-9" beyond the front edge of the toilet. With most elongated bowl toilets extending approximately 30 inches from the back wall, this requires a minimum length swing-up bar at 36", which is difficult to find on the market today. This also brought up concerns about structural stability of wall blocking and proper connections. One of the task group alerted the group to the support posts that are currently available on the market. Benefits of the support post include the ability to use standard, shorter swing-up bars to still achieve the desired distance in front of the toilet, better structural stability, and the ability of users to better customize the height of the mounting to their specific needs. (people do shrink as they age)

Research and practical experience showed the task group that very few lifetime wheelchair users complete a side-slide transfer with the wheelchair completely parallel to the toilet and the back wheels all the way back to the rear wall. The majority of wheelchair users angle towards the toilet, using the space in front and to the side of the toilet. With elders who can bear weight and stand to transfer, the space adjacent to the toilet along the rear wall is rarely accessed or needed. In addition, the toilet tank or space for the flush valve assembly push the "seat" of the toilet out a certain distance from the wall. It was felt that a floor mounted post and associated mounting plate could overlap the clearance around the toilet by a small amount, provided that the flush controls were still easily accessed.

### **Assisted Bathing:**

Many residents in Assisted Living and Nursing Home care settings are assisted, to varying levels, with their bathing activities as they may not be able to safely accomplish this on their own. Traditionally, roll-in-type showers have been used in care settings because of the ease of access they provide (low/no

threshold). However, there are some requirements in the current Standard that can make it more difficult for care staff to assist with bathing.

For example, a wall mounted seat can be difficult for an elder to transfer on and off and many are fearful of falling off. Additionally, with the seat against the side wall and back wall, it is difficult, if not impossible for a caregiver to adequately access and wash all parts of a resident. For this reason, wall mounted seats are typically folded up and a mobile shower chair or stool is brought in. However, the folded seat still takes up space, and there are sharp edges and protrusions that can tear delicate elder skin or cause other injuries to the resident or caregiver. Mobile shower chairs are also better as they have arms that provide support and balance assistance for residents when standing/sitting and while seated. Caregivers can either turn the resident's chair while bathing, or walk around the person in the chair to be able to reach and wash all areas.

Similarly, the location of the controls on the back wall of a standard roll-in shower makes it more difficult for a caregiver to access them to turn the water on/off as well as to adjust the temperature during a shower. They either need to reach across the resident being bathed, which is awkward, or often need to reach through the water stream, which gets them wet. Some people might think it's not a big deal for the caregiver to get wet, and that should be expected as part of their job. However, what everyone needs to remember is that in care settings such as Assisted Living and Nursing communities, the caregiver may have to bathe up to eight residents per shift. If they need to go change out of wet clothes after each shower, that takes them away from their duties and away from the residents they need to serve. It just isn't practical.

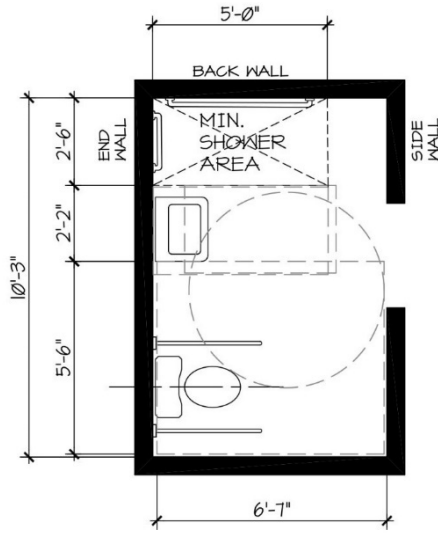
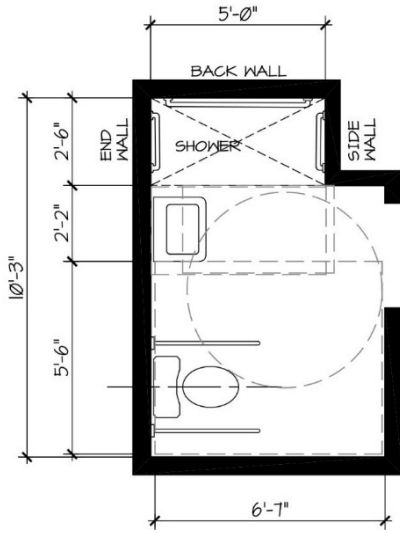
The language proposed removes the requirement for a permanent seat, in favor of allowing for the community to determine what is the best type of bench or chair to meet the resident's needs. It also allows for the controls that regulate on/off and temperature to be located such that they can be reached from outside the shower area, but also could be reached by a resident from inside the shower, should they be able to be more independent. The dimensions for the location of controls are meant to assume that a shower chair might be placed towards one corner of the shower and the areas behind that chair location would not be reachable. It also prohibits controls on the back wall of the shower in a typical 3-wall shower compartment.

The shower size and clearance language is meant to recognize that showers that often work best for assisted bathing are not simply the standard size, but sometimes larger, more open configurations work better. Larger, open showers also work better for care recipients that must be bathed in a semi or fully-reclined position. Sometimes the showers only have two walls or the entire bathroom is designed as a wet room and the designated shower "area" is in one corner. This is often called a "European shower".

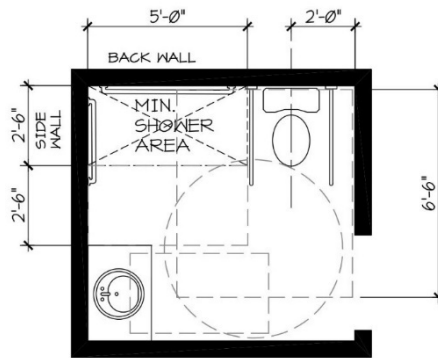
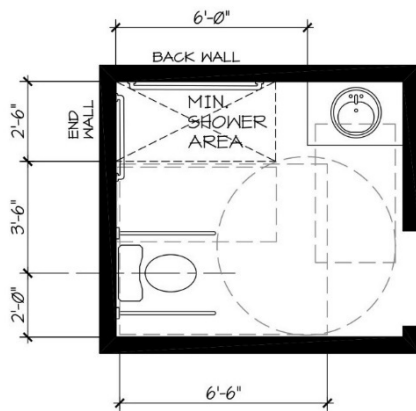
We maintained the language for clearance needed to access the shower area as well as the allowance for a lavatory to overlap the clearance similar to standard roll-in-type showers.

The grab bar language is similar to the standard roll-in-type shower, but with an additional bar where the seat would normally be. We chose to be intentionally silent on providing a vertical grab bar, as we felt that the location of a vertical bar would be highly dependent on the access point to the shower and location of the controls. In addition, if a resident has assistance in bathing, the vertical grab bar is not as needed for getting in and out of the shower enclosure. There is nothing prohibiting a vertical grab bar from being added.

Example layouts:

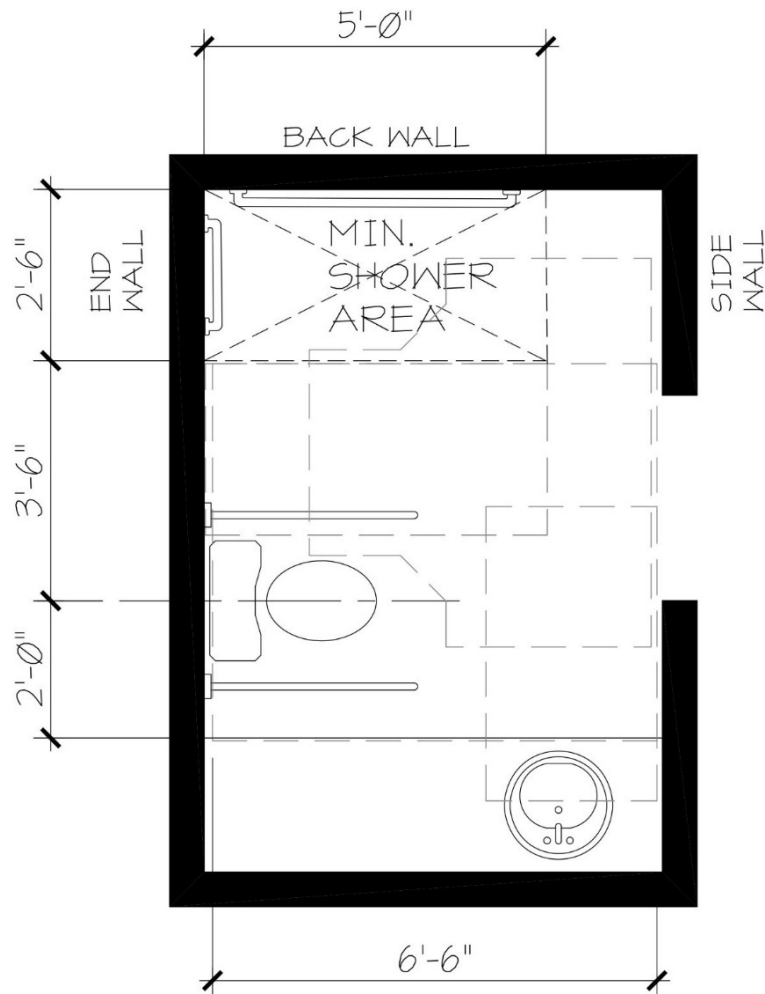


**Sample bathroom layout A & B**



**Sample Bathroom layout C & D**





**Sample bathroom layout E**

Committee Action: Approved as submitted (31-1-3)

**REPORT OF HEARING:**

**Modification (if any):**

**Committee Reason:** The committee felt the research for proposal included valid information for assisted transfers. It is appropriate to limit this application to locations where people are not strong enough to self-transfer, such as assisted living facilities, nursing homes and rehabilitation facilities (which is the current scoping in the IBC). It was requested that the committee look at the language in Section 611.7.4.1 regarding the length of the grab bars – ‘minimum’ may be confusing.

**Staff note:** Editorial - Title added to Section 611.7.9.

611 NEW-CARPENTER.doc

**06-64 – 2021 Ballot Comments**

<b>BALLOT COMMENT 1- FIRST DRAFT:</b>
Proponent: Ken Schoonover, self
Desired Action: Affirmative with Comment
Modification:

Reason: If 06-04-2021 is ultimately approved and the mirror height requirement is changed, Section 611.3 in this proposal must be correlated.

## **06-84 – 2021 Public Comment 1**

### **611(New)**

**Proponent:** Amy Carpenter and Kimberly Paarlberg, ICC

**Revise text as follows:**

#### **SECTION 611**

#### **ASSISTED TOILET AND BATHING ROOMS**

**611.1 General.** Individual use bathrooms for assisted toileting and bathing shall comply with Section 611.

**611.2 Clearances.**

**611.2.1 Turning Space.** A turning space shall be provided within the room.

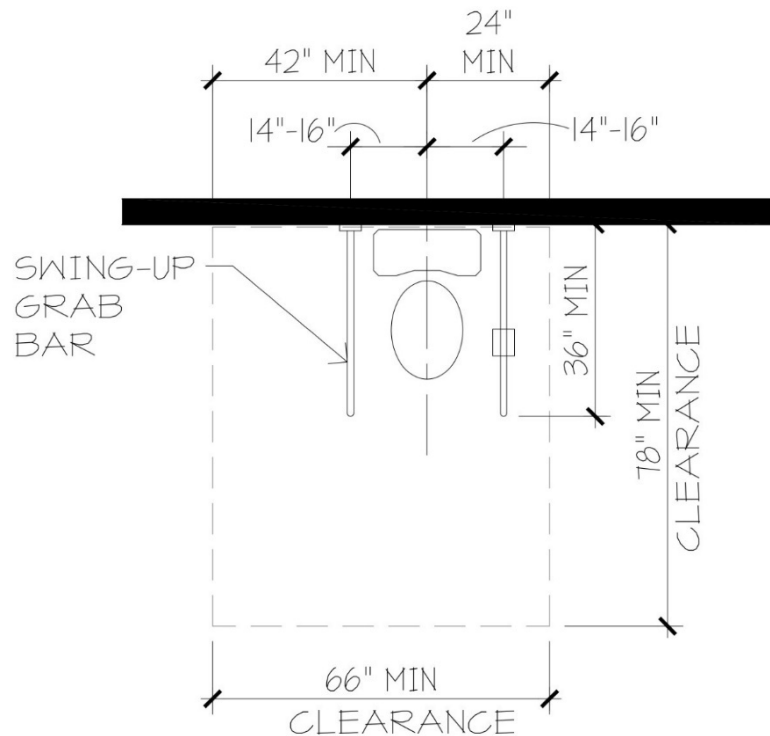
**611.2.2 Door Swing.** Doors shall not swing into the bathroom.

**Exception:** Where a clear floor space complying with Section 305.3 is provided in the room beyond the arc of the door and emergency rescue door hardware, that allows the door to be swung out of the room, is provided.

**611.3 Mirrors.** Where provided, A mirror shall be mounted with the bottom edge of the reflecting surface 40 inches (1015 mm) maximum above the floor.

**611.4 Coat Hooks.** Where provided, Coat hooks shall be located within one of the reach ranges specified in Section 308.

**611.5 Water Closets.** Water closets for assisted toileting shall comply with Section 611.5.



**FIGURE 611.5**  
**ASSISTED USE WATER CLOSET**

**611.5.1 Clearance width.** Clearance width around the water closet shall be ~~66 inches (1676 mm) minimum~~. A minimum dimension of 24 inches (609 mm) ~~shall be provided on each side,~~ on one side and a minimum of 42 inches (1066 mm) on the other side, measured from the centerline of the water closet to the side of the clearance or any obstruction.

**611.5.2 Clearance depth.** Clearance around the water closet shall be 78 inches (1981 mm) minimum in depth, measured perpendicular from the rear wall.

**611.5.3 Clearance overlap.** The required clearance around the water closet shall be permitted to overlap the water closet, associated grab bars, paper dispensers, sanitary napkin receptacles, coat hooks, shelves, accessible routes, clear floor space at other fixtures and the turning space. ~~Towel bars that meet the strength requirements of Section 609.8 shall be permitted to overlap the clearance at the water closet.~~ No other obstructions shall be within the required water closet clearance.

**Exceptions:**

1. Towel bars that meet the strength requirements of Section 609.8 shall be permitted to overlap the clearance at the water closet.
2. Floor mounted support posts for swing up grab bars complying with Section 611.5.3.1.

**611.5.4 Height.** The height of the water closet shall comply with Section 604.4

~~611.5.7~~ **611.5.5 Flush Controls.** Flush controls shall comply with Section 604.6.

~~611.5.5~~ **611.5.6 Grab bars.** Grab bars for assisted toileting shall comply with Sections 609.2, 611.5.5.1 611.5.6.1 through 611.5.5.6 611.5.6.6.

**~~611.5.5.1~~ 611.5.6.1 Number.** Swing up grab bars shall be provided at both sides of the water closet.

**~~611.5.5.2~~ 611.5.6.2 Location.** Swing up grab bars shall be located 14 to 16 inches (355 to 406 mm) from the centerline of the water closet.

**~~611.5.5.3~~ 611.5.6.3 Length.** Swing up grab bars shall extend a minimum of 36 inches (915 mm), measured perpendicular from the rear wall to the furthest projection of the bar.

**~~611.5.5.4~~ 611.5.6.4 Height.** The height of the swing up grab bar, when in the down position, shall be 30 inches (760 mm) minimum and 34 inches (865 mm) maximum measured from the floor to the topmost portion of the bar.

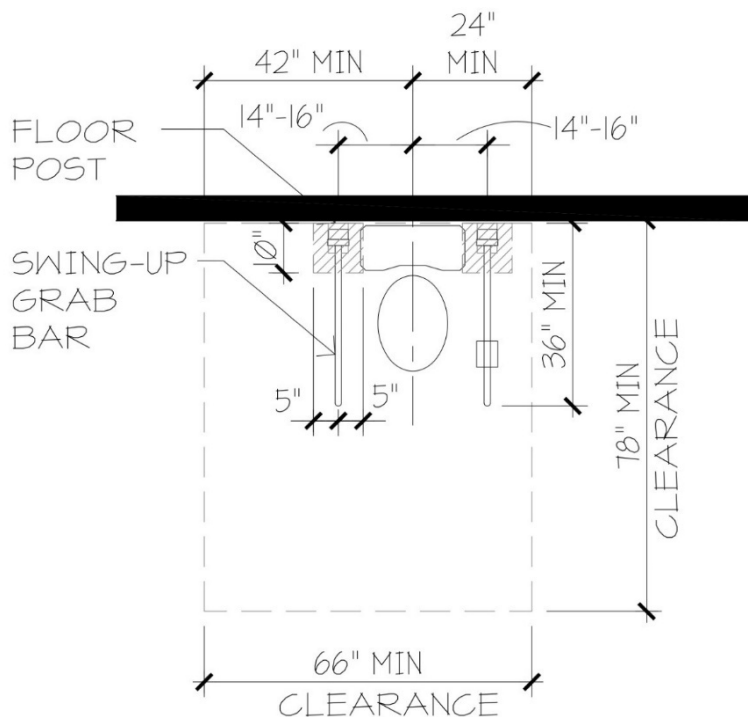
**~~611.5.5.5~~ 611.5.6.5 Strength.** Swing up grab bars shall meet structural strength requirements per Section 609.8.

**Exception:** Swing up bars are not required to resist required forces when being moved upward to the vertical position.

**~~611.5.5.6~~** ~~A floor-mounted support post, complying with Section 611.5.6 shall be permitted as an alternate to mounting swing up grab bars directly to a reinforced wall behind the toilet.~~

**611.5.6.6 611.5.6 Floor-mounted support post.** Where the supporting structure for the grab bars is a floor mounted post, A floor-mounted support post, used as an alternate means of support for swing up grab bars shall be designed to meet the structural strength requirements of Section 609.8 and the post shall be permitted to be located within the clearance around the water closet provided it meets all of the following:

1. The floor plate and post shall not extend more than 10 inches (254 mm) in depth measured perpendicular to the back wall,
2. The floor plate and post shall not extend more than 5 inches (127 mm) in width, measured from the centerline of the grab bar to either side,
3. The post location shall not block access to the flush controls, and
4. The floor plate and post shall not overlap any other required clearances or turning space.

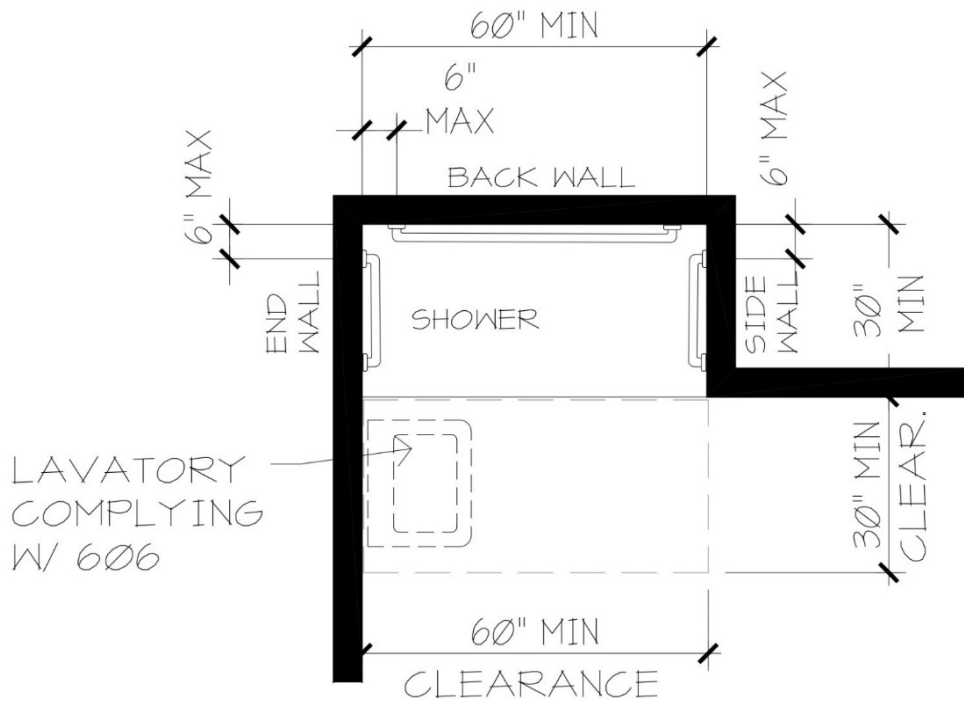


**FIGURE 611.5.5.6 611.5.6**  
**ASSISTED USE WATER CLOSET**  
**FLOOR-MOUNTED SUPPORT POSTS**

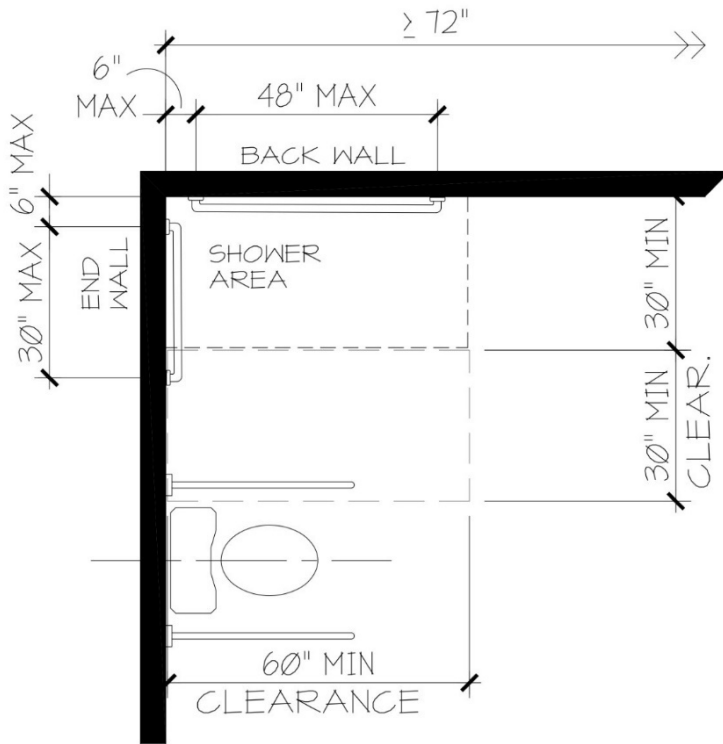
**611.5.8 611.5.6.7 Dispensers.** Toilet paper dispensers shall be mounted on at least one of the swing up grab bars and shall be located at 24 inches (610 mm) minimum to 36 inches (915 mm) maximum measured perpendicular to the rear wall. Dispensers shall not be of a type that control delivery or do not allow continuous paper flow.

**611.6 Lavatories and Sinks.** ~~Where a~~ The lavatory ~~or sink is provided inside the room used for assisted toileting and bathing, it~~ shall comply with Section 606.

**611.7 Showers.** Roll-in showers for assisted bathing shall comply with Section 611.7.

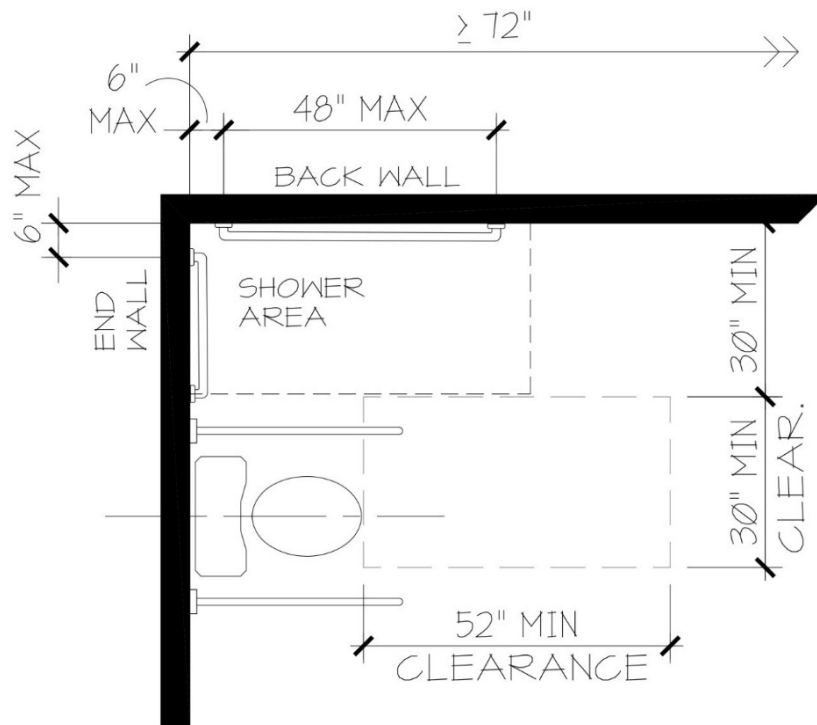


**FIGURE 611.7(A)**  
**ROLL-IN SHOWERS FOR ASSISTED BATHING**  
**OPTION 1**



**FIGURE 611.7(B)**  
**ROLL-IN SHOWERS FOR ASSISTED BATHING**  
**OPTION 2**

*Figure should show grab bars as 48" minimum and 30" minimum.*



**FIGURE 611.7(C)  
ROLL-IN SHOWERS FOR ASSISTED BATHING  
OPTION 3**

*Figure should show grab bars as 48" minimum and 30" minimum.*

**611.7.1 Size.** ~~A roll-in shower area for assisted bathing~~ The shower shall have a clear inside dimension of 60 inches (1525 mm) minimum in length and 30 inches (760 mm) minimum in depth, measured at the center point of opposing sides.

**611.7.2 Clearance.** A clearance of 60 inches (1525 mm) minimum in length adjacent to the long side of the shower area, and 30 inches (760 mm) minimum in depth, shall be provided.

**Exceptions:**

1. A lavatory complying with Section 606 shall be permitted at one end of the clearance .
2. Where the shower area exceeds minimum sizes, the ~~clear floor space clearance~~ shall be placed 30 inches (760 mm) minimum from the back wall and the length shall be parallel to the back wall.

**611.7.3 Seat.** A fixed folding or non-folding wall-mounted seat is not ~~permitted~~ required.

**611.7.4 Grab bars.** Grab bars shall comply with Section 609 and shall be provided in accordance with Section 611.7.4.1

**611.7.4.1 Location.** Horizontal grab bars ~~in roll-in showers for assisted bathing~~ shall be provided on the back wall, end wall and side wall. Grab bars shall extend within 6 inches (150 mm) maximum from adjacent walls.

**Exceptions:**

1. The back-wall grab bar shall not be required to exceed 48 inches (1220 mm) in length.
2. End-wall and side-wall grab bars shall not be required to exceed 30 inches (760 mm) in length.
3. If the back-wall length is 72 inches (1830 mm) or greater, a side-wall grab bar is not required.



**611.7.5 Controls.** ~~The operable parts for the On/off water flow, and temperature adjustment and diverter controls for roll-in showers for assisted bathing~~ shall comply with Section 309.4 and shall ~~comply be located in accordance~~ with all of the following:

1. ~~Installed~~ at a height of 38 inches (965 mm) minimum and 48 inches (1220 mm) maximum above the shower floor,
2. ~~Located~~ either on the end wall or side wall, 18 inches (455 mm) minimum and 48 inches (1220 mm) maximum from the back wall, ~~and~~
3. Located to allow access by a caregiver and minimize reaching through the water stream.

**Exception:** Where the back wall length is 72 inches (1830 mm) or greater, controls are permitted to be located on the back wall at a height of 38 inches (965 mm) minimum and 48 inches (1220 mm) maximum above the shower floor and 27 inches (685 mm) minimum and 60 inches (1525 mm) maximum from the end wall.

**611.7.6 Hand Showers.** ~~A hand shower with a hose 59 inches (1500 mm) minimum in length, that can be used both as a fixed shower head and as a hand shower, shall be provided. The hand shower shall have a nonpositive shut-off feature that complies with 309.4. A fixed shower head, in addition to the hand shower shall be permitted. At least one hand shower complying with Section 309.4, Section 608.5 and Section 611.7.6 shall be provided in roll-in showers for assisted bathing.~~

**611.7.6.1 Hand shower mounts.** ~~The mount to hold the hand shower shall be located in accordance with the following:~~

1. At a height of 38 inches (965 mm) minimum and 48 inches (1220 mm) maximum above the shower floor, and
2. On the end wall, back wall or side wall within the shower area.
3. Located to allow access by a caregiver and minimize reaching through the water stream.

**Exception:** ~~The mount to hold the hand shower shall be permitted to be located on a vertical bar provided that the mount is adjustable in height and can be located within the area specified for the fixed mount.~~

**611.7.7 Thresholds.** Thresholds in ~~roll-in showers for assisted bathing~~ shall comply with the threshold requirements for roll-in type showers in Section 608.6

**611.7.8 Shower enclosures.** Shower ~~area-compartment~~ enclosures shall not obstruct access to controls or hand shower mount from outside the shower area. Floor mounted enclosures shall maintain a minimum clear opening width of 41.5 inches (1054 mm) with no added threshold.

~~**611.7.9 Water Temperature.** Water Temperature shall comply with Section 608.8.~~

---

**REASON:** We strongly support the work of the Assisted Toileting and bathing task group. The intent of this proposal is for minor changes for clarity or coordination with other approved changes.

611.3 and 611.4 – not all bathrooms will have a mirror or coat hook. This should be ‘where provided’.

611.5.1– We want to make sure that there is a clear floor space for transfer on one side. The current text would allow the toilet to slide anywhere in the clear floor space.

611.5.3 – The exception for towel bars that can also serve as an extra grab bar is moved from the text into an exception for the clearance. Exception 2 is a reference for the overlap for support posts for the grab bars. The reference seems better than moving the support post up, because they addressed with the grab bars.

611.5.5 – flush controls is moved up with the water closet requirements.

611.5.6 – the reference to 609.2 is for the cross section of the grab bar.

611.5.6.1 through 611.6.5 – added titles

611.5.5.6 (existing #) – not needed; incorporated into 611.5.6.6

611.5.6.6 – This is incorporating the charging paragraph and removing redundant requirements. 609.8 is required in 611.5.6.5.

611.5.6.7 – more appropriate as a subsection grab bars since the dispenser is on the grab bar.

611.6 – The plumbing code required a bathing room to have a lavatory, but it may be outside the room. The revision is to be more accurate and remove redundant language.

611.7 and 611.7.4.1 – the type of shower does not need to be repeated, add a title.

611.7.2 Exception 2 – correct term in ‘clearance’

611.7.3 – while the intent is to allow for a free standing shower seat, there are many new technologies for moving features in bathrooms – so this just clarifies that a fixed or folding seat is not required.

611.7.5 – the changes to controls is coordination with the other showers as modified by 06-47 and 06-62. That specified the types of controls, and separated out requirements for hand showers and shower mounts.

611.7.6, 611.7.6.1 – coordination with the hand showers as modified by 06-47 and 06-62. The exception allows for a vertical bar. Consistent with 611.7.5, the caregiver and user are addressed.

611.7.7 – the requirements in Section 608.6 are for roll-in and transfer showers. The revised text is more precise.

611.7.8 – Hand showers need to be controlled from outside the shower.

611.7.9 – temperature is controlled by the IPC. Section 608.8 was deleted by 06-56-21.

---

**Committee Action for Public Comment 1:**

**REPORT OF HEARING:**

**Modification (if any):**

**Committee Reason:**

**06-84 Carpenter Paarlberg.doc**

---

**06-84 – 2021 Public Comment 2**  
**611**

**Proponent:** Marsha Mazz, representing the Terminology Task Group

**Further revise as follows:**

**SECTION 611**  
**ASSISTED TOILET AND BATHING ROOMS**

**611.2 ~~Clearances~~ Bathing room configurations. The configuration of the assisted toilet and bathing room shall comply with 603.2.**

**611.2.1 Turning Space.** A turning space shall be provided within the room.

**611.2.2 Door Swing.** Doors shall not swing into the bathroom.

**Exception:** Where a clear floor space complying only with Section 305.3 is provided in the room beyond the arc of the door and emergency rescue door hardware, that allows the door to be swung out of the room, is provided.

**611.4 Coat Hooks.** Coat hooks shall be located within one of the applicable reach ranges ~~specified in Section 308~~.

**611.5.1 Maneuvering Clearance width. Maneuvering** Clearance around the water closet shall be 66 inches (1676 mm) minimum. A minimum dimension of 24 inches (609 mm) shall be provided on each side, measured from the centerline of the water closet.

**611.5.2 Maneuvering Clearance depth. Maneuvering** Clearance around the water closet shall be 78 inches (1981 mm) minimum in depth, measured perpendicular from the rear wall.

**611.5.3 Maneuvering Clearance overlap.** The required maneuvering clearance around the water closet shall be permitted to overlap the water closet, associated grab bars, paper dispensers, sanitary napkin receptacles, coat hooks, shelves, accessible routes, clear floor space at other fixtures and the turning space. Towel bars that meet the strength requirements of Section 609.8 shall be permitted to overlap the maneuvering clearance ~~at around~~ the water closet. No other obstructions shall be within the required ~~water closet~~ maneuvering clearance around the water closet.

**611.5.6 Floor-mounted support post.** A floor-mounted support post, used as an alternate means of support for swing up grab bars shall be designed to meet the structural strength requirements of Section 609.8 and shall be permitted to be located within the maneuvering clearance around the water closet provided it meets all of the following:

1. The floor plate and post shall not extend more than 10 inches (254 mm) in depth measured perpendicular to the back wall,
2. The floor plate and post shall not extend more than 5 inches (127 mm) in width, measured from the centerline of the grab bar to either side,
3. The post location shall not block access to the flush controls, and
4. The floor plate and post shall not overlap any other required clear floor space or maneuvering clearances at fixtures or turning space.

**611.7.2 Maneuvering Clearance.** A maneuvering clearance at the shower area of 60 inches (1525 mm) minimum in length adjacent to the long side of the shower area, and 30 inches (760 mm) minimum in depth, shall be provided.

**Exceptions:**

1. A lavatory complying with Section 606 shall be permitted at one end of the maneuvering clearance at the shower area.
2. Where the shower area exceeds minimum sizes, the ~~clear floor space~~ maneuvering clearance at the shower area shall be placed 30 inches (760 mm) minimum from the back wall and the length shall be parallel to the back wall.

---

**REASON:** This is part of a proposal from the Terminology task group to define the building blocks so that a reference is not required. This public comment is included here because it was part of new text. Please see the complete proposal for additional information.

---

**Committee Action for Public Comment 2:**

**REPORT OF HEARING:**

**Modification (if any):**

**Committee Reason:**

**06-84**

**Terminology.doc**

**Committee Action for First Ballot:**

**REPORT OF HEARING:**

**Modification (if any):**

**Committee Reason:**

<b>Report for 06-84– 2021</b>		
<i>Committee decision: AS</i>	<i>Committee Vote at Meeting: 31-1-3</i>	<i>Committee Vote on Ballot:39-1-1</i>
<b>REPORT OF HEARING:</b>		
Modification (if any):		
Committee Reason: The committee felt the research for proposal included valid information for assisted transfers. It is appropriate to limit this application locations where people are not strong enough to self-transfer, such as assisted living facilities, nursing homes and rehabilitation facilities. It was requested that the committee look at the language in Section 611.7.4.1 regarding the length of the grab bars – 'minimum' may be confusing.		
<b>BALLOT COMMENT 1- FIRST DRAFT:</b>		
Proponent: Ken Schoonover, self		
Desired Action: Affirmative with Comment		
Modification:		
Reason: If 06-04-2021 is ultimately approved and the mirror height requirement is changed, Section 611.3 in this proposal must be correlated.		
<i>Committee decision: AS/AM/D</i>	<i>Committee Vote at Meeting:</i>	<i>Committee Vote on Ballot:</i>
<b>REPORT OF HEARING – FIRST DRAFT</b>		
Modification (if any):		
Committee Reason:		
<b>BALLOT COMMENT- SECOND DRAFT:</b>		
Proponent:		
Desired Action:		
Modification:		
Reason:		
<i>Committee decision: AS/AM/D</i>	<i>Committee Vote at Meeting:</i>	<i>Committee Vote on Ballot:</i>
<b>FINAL ACTION:</b>		
Modification (if any):		
Committee Reason:		

## 06-86 – 2021 overview

Proposal number	Proponent	Standard Sections	Committee Actions	Mtg. Date	Notes; Groups; groupings
06-86	Paarlberg	611.3, 611.4	AS 21-11-5	12-1-2022	

Comment	Proponent	Requested Action	Committee Action	Mtg. Date	Notes; Groups; groupings
<b>PC1</b>	Terminology	AM			Editorial

BC= Ballot Comment, PC= Public comment, **Bold Comment number** is proposed revision below

## 06-86 – 2021 611.3, 611.4

**Proponent:** Kimberly Paarlberg, International Code Council

**Revise as follows:**

### SECTION 611 WASHING MACHINES AND CLOTHES DRYERS

**611.1 General.** Washing machines and clothes dryers shall comply with Section 611.

**611.2 Clear floor space.** A clear floor space positioned for parallel approach shall be provided. For top loading machines, the clear floor space shall be centered on the appliance. For front loading machines, the centerline of the clear floor space shall be offset 24 inches (610 mm) maximum from the centerline of the door opening.

**611.3 Operable parts.** Operable parts, including doors, lint screens, detergent and bleach compartments, shall comply with Sections 308 and 309.

**Exception Exceptions:**

1. The height of the obstruction in Section 308.3.2 shall be permitted to be 36 inches (915 mm) maximum above the floor.
2. The operable part of the door shall be permitted to be 54 inches (1372 mm) maximum above the floor.

**611.4 Height.** Top loading machines shall have the door to the laundry compartment 36 inches (915 mm) maximum above the floor. ~~Front loading machines shall have the bottom of the opening to the laundry compartment 15 inches (380 mm) minimum and 36 inches (915 mm) maximum above the floor.~~

---

**REASON:** There are many stackable machines that save space and offer improved access with center controls. Previously the stackables had separate controls, instead of the new center control, so the controls were not within reach range. Options are now available with the controls within reach, but the dryer compartment is above 36 inches. This intent of this proposal is to increase design options within dwelling units. Setting the control for the door at 54" which is typically the center, would set the bottom of the door below that. Below are examples I found at the local home improvement store. The controls in the center seemed to provide better access than a top loading machine. These are models from LG, Equator and Whirlpool.



Committee Action: As submitted 21-1-5

## REPORT OF HEARING:

### Modification (if any):

**Committee Reason:** This would allow stackable washers and dryers for smaller and efficiency apartments. Reach into the top drum would be easier than in a top loading machine.

611.4-PAARLBERG.doc

## 06-86 – 2021 Public Comment 1 613.3

**Proponent:** Marsha Mazz, representing the Terminology Task Group

### Further revise as follows:

### SECTION 613 WASHING MACHINES AND CLOTHES DRYERS

**613.3 Operable parts.** Operable parts, including doors, lint screens, detergent and bleach compartments, shall comply with [Sections 308 and 309 reach range and operable parts](#).

#### Exceptions:

1. The height of the obstruction in Section 308.3.2 shall be permitted to be 36 inches (915 mm) maximum above the floor.
2. The operable part of the door shall be permitted to be 54 inches (1372 mm) maximum above the floor.

**REASON:** This is part of a proposal from the Terminology task group to define the building blocks so that a reference is not required. This public comment is included here because it was part of new text. Please see the complete proposal for additional information.

**Committee Action for Public Comment 1:**

**REPORT OF HEARING:**

**Modification (if any):**

**Committee Reason:**

**06-86 Terminology.doc**

**Committee Action for First Ballot:**

**REPORT OF HEARING:**

**Modification (if any):**

**Committee Reason:**

<b>Report for 06-86– 2021</b>		
<b>Committee decision: AS</b>	<b>Committee Vote at Meeting: 21-1-5</b>	<b>Committee Vote on Ballot:40-0-1</b>
<b>REPORT OF HEARING:</b>		
Modification (if any):		
Committee Reason: This would allow stackable washers and dryers for smaller and efficiency apartments. Reach into the top drum would be easier than in a top loading machine.		
<b>BALLOT COMMENT- FIRST DRAFT:</b>		
Proponent:		
Desired Action:		
Modification:		
Reason:		
<b>Committee decision: AS/AM/D</b>	<b>Committee Vote at Meeting:</b>	<b>Committee Vote on Ballot:</b>
<b>REPORT OF HEARING – FIRST DRAFT</b>		
Modification (if any):		
Committee Reason:		
<b>BALLOT COMMENT- SECOND DRAFT:</b>		
Proponent:		
Desired Action:		
Modification:		
Reason:		
<b>Committee decision: AS/AM/D</b>	<b>Committee Vote at Meeting:</b>	<b>Committee Vote on Ballot:</b>
<b>FINAL ACTION:</b>		
Modification (if any):		
Committee Reason:		

## 06-87 – 2021 overview

Proposal number	Proponent	Standard Sections	Committee Actions	Mtg. Date	Notes; Groups; groupings
06-87	Mazz	611.4	AS 15-12-4	12-1-2022	

Comment	Proponent	Requested Action	Committee Action	Mtg. Date	Notes; Groups; groupings
BC1	Buuck, NAHB	Negative			

BC= Ballot Comment, PC= Public comment, **Bold Comment number** is proposed revision below

## 06-87 – 2021 611.4

**Proponent:** Marsha Mazz, United Spinal Association

**Revise as follows:**

### SECTION 611 WASHING MACHINES AND CLOTHES DRYERS

**611.4 Height.** Top loading machines shall not be permitted ~~have the door to the laundry compartment 36 inches (915 mm) maximum above the floor.~~ Front loading machines shall have the bottom of the opening to the laundry compartment 15 inches (380 mm) minimum and 36 inches (915 mm) maximum above the floor.

**REASON:** We find that top loading machines are not very usable by individuals seated in wheelchairs. To reach items in the tub, they must use an auxiliary aid such as a reaching tool or “grabber” but, often, they cannot see the target at the bottom of the tub. Also, people with disabilities affecting their manual dexterity often cannot use these tools because their trigger style operators typically require tight grasping and one must rotate their wrist to pick-up an item – see <https://www.seniorsmatter.com/review-the-best-grabber-reacher/2491052> for examples of this equipment or search for “reaching tool”. One model which is approximate ten times the typical cost of other models allows for the device to be attached to the arm – see [https://www.rehab-store.com/p-quad-reacher.html?gclid=CjwKCAjw6fCCBhBNEiwAem5SO5cqXAZRmP46fUgQo7j0na4DvC-gOyD-KY8d54h2MuDPDSqgZONZBBoCthEQAvD\\_BwE](https://www.rehab-store.com/p-quad-reacher.html?gclid=CjwKCAjw6fCCBhBNEiwAem5SO5cqXAZRmP46fUgQo7j0na4DvC-gOyD-KY8d54h2MuDPDSqgZONZBBoCthEQAvD_BwE).

Committee Action: As submitted 15-12-4

### REPORT OF HEARING:

**Modification (if any):** The proposal was approved because it is difficult to reach laundry by a seated person in the bottom of the drum in top loading equipment. There were concerns that there would be an enforcement issue because laundry equipment is not built in, so enforcement would be a guess based on assumed equipment. This eliminates a choice of equipment for the resident – some people prefer appliances with agitators. Both front and top loaders are expected to remain in common use for the consumer. A question was brought up about affordability between styles.

### Committee Reason:



## 06-87 – 2021 Ballot Comments

### BALLOT COMMENT 1- FIRST DRAFT:

Proponent: Daniel Buuck, NAHB

Desired Action: Negative with comment

Modification:

Reason: I do not believe the benefit of this change outweighs the problems. Some issues were mentioned in the "Report of Hearing": appliances are often provided by the owner, there is an enforceability issue, and this would take away options. In addition to these, installing front-loading equipment requires a 24-inch offset of the clear floor space compared to top-loading appliances. This will require existing floor plans to be redesigned, likely taking away space that is valuable to the occupant from other areas of the dwelling.

### Committee Action for First Ballot:

### REPORT OF HEARING:

### Modification (if any):

### Committee Reason:

<b>Report for 06-87– 2021</b>		
<i>Committee decision: AS</i>	<i>Committee Vote at Meeting: 15-12-4</i>	<i>Committee Vote on Ballot:39-1-1</i>
<b>REPORT OF HEARING:</b>		
Modification (if any):		
Committee Reason: The proposal was approved because it is difficult to reach laundry by a seated person in the bottom of the drum in top loading equipment. There were concerns that there would be an enforcement issue because laundry equipment is not built in, so enforcement would be a guess based on assumed equipment. This eliminates a choice of equipment for the resident – some people prefer appliances with agitators. Both front and top loaders are expected to remain in common use for the consumer. A question was brought up about affordability between styles.		
<b>BALLOT COMMENT 1- FIRST DRAFT:</b>		
Proponent: <i>Daniel Buuck, NAHB</i>		
Desired Action: Negative with comment		
Modification:		
Reason: I do not believe the benefit of this change outweighs the problems. Some issues were mentioned in the "Report of Hearing": appliances are often provided by the owner, there is an enforceability issue, and this would take away options. In addition to these, installing front-loading equipment requires a 24-inch offset of the clear floor space compared to top-loading appliances. This will require existing floor plans to be redesigned, likely taking away space that is valuable to the occupant from other areas of the dwelling.		
<i>Committee decision: AS/AM/D</i>	<i>Committee Vote at Meeting:</i>	<i>Committee Vote on Ballot:</i>
<b>REPORT OF HEARING – FIRST DRAFT</b>		
Modification (if any):		
Committee Reason:		
<b>BALLOT COMMENT- SECOND DRAFT:</b>		
Proponent:		
Desired Action:		
Modification:		
Reason:		
<i>Committee decision: AS/AM/D</i>	<i>Committee Vote at Meeting:</i>	<i>Committee Vote on Ballot:</i>
<b>FINAL ACTION:</b>		
Modification (if any):		
Committee Reason:		

## 06-89 – 2021 overview

Proposal number	Proponent	Standard Sections	Committee Actions	Mtg. Date	Notes; Groups; groupings
06-89	Mazz	613(New)	AM 25-0-3	12-1-2022	

Comment	Proponent	Requested Action	Committee Action	Mtg. Date	Notes; Groups; groupings
<b>PC1</b>	Terminology	AM			Editorial

BC= Ballot Comment, PC= Public comment, **Bold Comment number** is proposed revision below

## 06-89 – 2021

### 613(New)

**Proponent:** Marsha Mazz, United Spinal Association

**Add new text as follows:**

#### **SECTION 613** **PET WASH STATION**

**613.1 Pet wash stations.** Where provided for pet washing and grooming, sinks and tubs shall comply with Section 613.

**613.1 Sinks.** Sinks shall comply with Section 606.

**613.2 Grooming Tubs.** Grooming tubs shall provide clear floor space positioned for a forward or parallel approach complying with Section 305.

**613.3 Operable parts.** Operable parts of sinks, tubs, and at least one of each type of associated accessories shall comply with Sections 308 and 309.

**EXCEPTION:** Drain stoppers and debris filters shall not be required to comply with Section 613.3.

---

**REASON:** Pet washing stations have become ubiquitous in modern condo and apartment buildings as well as in community centers. Where applicable, the Design and Construction Requirements of the Federal Fair Housing Amendments Act require “common use” spaces to be accessible to individuals with disabilities (24 CFR part 100.205(c)(1)). Without measurable standards, pet wash stations will always be a point of contention and the level of accessibility required by enforcement officials and expected by potential litigants will vary widely.

Our proposed accessibility criteria are simple. By requiring operable parts to be accessible, we believe that the height of the tub wall will be controlled by the requirements for a reach over an obstruction. We have exempted those items that would normally be on the floor of the tub such as drain stoppers and filters for hair and other debris. Where accessories such as shampoo dispensers, hair dryers, and hooks for leashes are provided, we have asked for only one of each type to be accessible. We have carefully research product literature to ensure that multiple manufacturers provide compliant products.

Links to some product literature:

- <https://www.groomersbest.com/product-category/bathing-tubs/ada-compliant/>

- <https://www.dog-on-it-parks.com/ada-elite-pet-wash-station.html>
- [https://www.directanimal.com/product/grooming/grooming-tubs/?utm\\_source=mv&utm\\_medium=paid&utm\\_campaign=intent&gclid=Cj0KCQjwjPaCBhDkARIsAISZN7S3QaIYngbxU4XhrGyXmoTkQscW2DaVNTcd13LxfiqCtQy8kb7A25QaAh0SEALw\\_wcB](https://www.directanimal.com/product/grooming/grooming-tubs/?utm_source=mv&utm_medium=paid&utm_campaign=intent&gclid=Cj0KCQjwjPaCBhDkARIsAISZN7S3QaIYngbxU4XhrGyXmoTkQscW2DaVNTcd13LxfiqCtQy8kb7A25QaAh0SEALw_wcB)

---

## 06-89 – 2021 Modification 613(New)

**Proponent:** Kimberly Paarlberg, ICC

**Further revise as follows:**

### SECTION 613 PET WASHING STATION

**613.1 Pet washing stations.** Where provided for pet washing and grooming, sinks and tubs pet washing stations shall comply with Section 613.

~~**613.1 Sinks.** Sinks shall comply with Section 606.~~

**613.2 Grooming Pet washing Tubs.** ~~Grooming~~ Pet washing tubs shall provide clear floor space positioned for a forward or parallel approach complying with Section 305.

**613.3 Operable parts.** The operable parts of the controls for on/ and off water flow, temperature, and diverter sinks, tubs, and at least one of each type of associated accessories shall comply with Sections 308 and 309. Where a hand shower is provided, a mount to hold the hand shower shall be located in compliance with Section 308.

~~**EXCEPTION:** Drain stoppers and debris filters shall not be required to comply with Section 613.3.~~

---

**Reason:** The devices referenced in Masha’s reason statement could be considered a sink (because it has a drain). Since not all are raised, this could be interpreted as a shower. I have included a couple of examples below. These self wash stations are showing up in pet supply stores, apartment buildings and with car washes.

I find the current proposal confusing. If you make this be a required front approach by the reference to Section 606, the pan could be not deep enough to bath the dog, and the higher height makes harder for the dog to get up into the tub. You also need this station at a height that works for standing persons washing their dogs since there may be only one. Also, some people will interpret that ‘grooming’ is different than ‘bathing’. For example, when I take my dog to be groomed, it is getting his hair cut and his nails trimmed. (If there is a grooming counter in the room, that is a work counter and is addressed elsewhere.) I am not clear on what “associated accessories” would include (steps or ramps under the counter, a hook on the back wall to attach a lead, a shelf to hold towels), so this is too open for interpretation.

I am suggesting to delete the reference to sinks and just specifically address the pet washing station so we cover all types of pet washing stations. The revisions to Section 613.3 are for consistency with the language

the committee approved for tubs and showers. A referenced for 309 sends you back to 308 for reach range, so you do not need that for faucets, but you would need it for the fixed mount.

Alternatively, we can consider this addressed with the approval of 06-35-21 (for deep sinks to have a side approach) and we do not need any of this.





**Committee Action:** As modified 25-0-3

**REPORT OF HEARING:**

**Modification (if any):**

**Further revise as follows:**

**SECTION 613  
PET WASHING STATION**

**613.1 Pet washing stations.** Where provided for pet washing ~~and grooming, sinks and tubs~~ pet washing stations shall comply with Section 613.

~~**613.1 Sinks.** Sinks shall comply with Section 606.~~

**613.2 Grooming-Pet washing Tubs.** ~~Grooming~~ Pet washing tubs shall provide clear floor space positioned for a forward or parallel approach complying with Section 305.

**613.3 Operable parts.** The operable parts of the controls for on/ and off water flow, temperature, and diverter sinks, tubs, and at least one of each type of associated accessories shall comply with Sections 308 and 309. Where a hand shower is provided, a mount to hold the hand shower shall be located in compliance with Section 308.

~~**EXCEPTION:** Drain stoppers and debris filters shall not be required to comply with Section 613.3.~~

**Committee Reason:** The modification puts in specific criteria for pet washing stations instead of using the current criteria for a sink or work counter. These spaces need to be accessible for people taking care of their service or comfort animals, but must also work for standing persons using the same pet washing station.

613.1(NEW)-MAZZ.doc

---

## 06-89 – 2021 Public Comment 1

### 617.3

**Proponent:** Marsha Mazz, representing the Terminology Task Group

**Further revise as follows:**

**SECTION 617  
PET WASHING STATION**

**617.3 Operable parts.** The ~~operable parts of the~~ controls for on and off water flow, temperature, and diverter shall comply ~~with Section 309~~ with operable parts. Where a hand shower is provided, a mount to hold the hand shower shall be located in ~~compliance with Section 308~~ within the applicable reach range.

---

**REASON:** This is part of a proposal from the Terminology task group to define the building blocks so that a reference is not required. This public comment is included here because it was part of new text. Please see the complete proposal for additional information.

---

**Committee Action for Public Comment 1:**

**REPORT OF HEARING:**

**Modification (if any):**

**Committee Reason:**

06-89

Terminology.doc

---

**Committee Action for First Ballot:**

**REPORT OF HEARING:**

**Modification (if any):**

**Committee Reason:**

<b>Report for 06-89-2021</b>		
<b>Committee decision: AM</b>	<b>Committee Vote at Meeting: 25-0-3</b>	<b>Committee Vote on Ballot:40-0-1</b>
<b>REPORT OF HEARING:</b> Modification (if any): Further revise as follows:		
<b>SECTION 613 PET WASHING STATION</b>		
<b>613.1 Pet washing stations.</b> Where provided for pet washing and grooming, sinks and tubs <u>pet washing stations</u> shall comply with Section 613.		
<b>613.1 Sinks.</b> Sinks shall comply with Section 606.		
<b>613.2 Grooming Pet washing Tubs.</b> Grooming <u>Pet washing</u> tubs shall provide clear floor space positioned for a forward or parallel approach complying with Section 305.		
<b>613.3 Operable parts.</b> The operable parts of the controls for on/ and off water flow, temperature, and diverter sinks, tubs, and at least one of each type of associated accessories shall comply with Sections 308 and 309. <u>Where a hand shower is provided, a mount to hold the hand shower shall be located in compliance with Section 308.</u>		
<b>EXCEPTION:</b> <del>Drain stoppers and debris filters shall not be required to comply with Section 613.3.</del>		
Committee Reason: The modification puts in specific criteria for pet washing stations instead of using the current criteria for a sink or work counter. These spaces need to be accessible for people taking care of their service or comfort animals, but must also work for standing persons using the same pet washing station.		
<b>BALLOT COMMENT- FIRST DRAFT:</b>		
Proponent:		
Desired Action:		
Modification:		
Reason:		
<b>Committee decision: AS/AM/D</b>	<b>Committee Vote at Meeting:</b>	<b>Committee Vote on Ballot:</b>
<b>REPORT OF HEARING – FIRST DRAFT</b>		
Modification (if any):		
Committee Reason:		
<b>BALLOT COMMENT- SECOND DRAFT:</b>		
Proponent:		
Desired Action:		
Modification:		
Reason:		
<b>Committee decision: AS/AM/D</b>	<b>Committee Vote at Meeting:</b>	<b>Committee Vote on Ballot:</b>
<b>FINAL ACTION:</b>		
Modification (if any):		
Committee Reason:		

## 06-90 – 2021 overview

Proposal number	Proponent	Standard Sections	Committee Actions	Mtg. Date	Notes; Groups; groupings
06-90	Wright-Adult changing	106.2.2 (New), 106.2.4 (New), 106.2.5 (New), 613(New)	AM-26-0-0	5-19-2022	

Comment	Proponent	Requested Action	Committee Action	Mtg. Date	Notes; Groups; groupings
<b>PC1</b>	Skulski	AM			
<b>PC2</b>	Wright	AM			
<b>PC3</b>	Terminology	AM			Editorial

BC= Ballot Comment, PC= Public comment, **Bold Comment number** is proposed revision below

## 06-90 – 2021

**106.2.2(New), 106.2.4(New), 106.2.5(New), 613(New)**

**Proponent:** Laurel Wright, representing the Adult Changing Facilities work group

Add new text as follows:

**106.2.2 Assistive products for personal hygiene (APPH) that support users – Requirements and test methods.** ISO/FDIS 17966: 2016(E) (International Organization for Standardization, Chemin de Blandonnet 8, CP 401, 1214 Vernier, Geneva, Switzerland)

**106.2.4 Medical Electrical Equipment - Part 1: General requirements for basic safety and essential performance – IEC 60601-1: 3.2 edition August 2020: International Electrotechnical Commission (IEC) 3 rue de Varembe, PO Box 131, CH-1211 Geneva, Switzerland.**

**106.2.5 Medical electrical equipment - Part 1-2: General requirements for basic safety and essential performance - Collateral Standard: Electromagnetic disturbances - Requirements and tests: 60601-1-2:2014 + ADM1: 2020 CVS: International Electrotechnical Commission (IEC) 3 rue de Varembe, PO Box 131, CH-1211 Geneva, Switzerland.**

### **SECTION 613** **ADULT CHANGING STATIONS**

**613.1 General.** Adult changing stations shall comply with Section 613.2 through 613.4.

**613.2 Safety and performance.** Adult changing stations shall comply with the following standards:

1. ISO 17966 Sections: 5 Materials; 7 Electromagnetic compatibility; 8 Electrical safety; 11 Safety of moving and folding parts; 11.2 Prevention of traps for parts of human body; 16 Static strength, impact, durability; 17 Stability listed in Section 106.2.2.



2. IEC 60601-1 listed in Section 106.2.4.
3. IEC 60601-1-2 listed in Section 106.2.5.

**613.3 Changing surface.** A changing surface shall be provided and shall comply with Section 613.3.

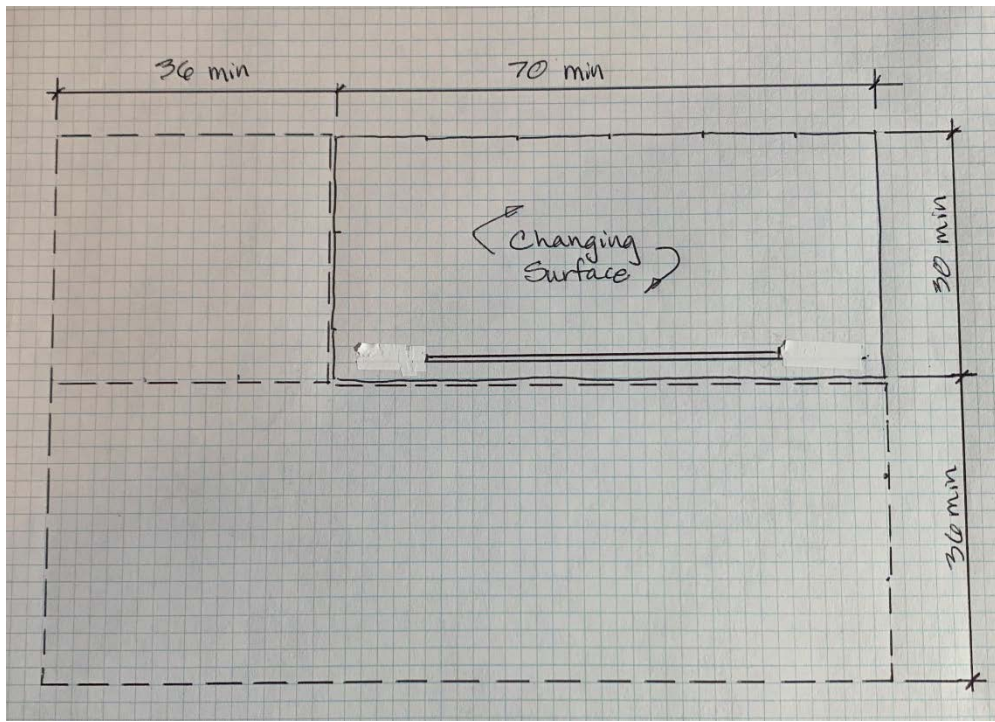
**613.3.1 Size.** The changing surface shall be 70 inches (1778mm) minimum in length and 30 inches (762mm) minimum in width.

**613.3.2 Clearances.** Clearances complying with Sections 613.3.2.1 and 613.3.2.2 shall be provided adjacent to the changing surface, measured when the surface is in the operational position.

**613.3.2.1 Side clearance.** A 36 inch (914mm) deep minimum clearance shall be provided along the length of one long side of the changing surface and shall extend 36 inches (914mm) minimum past the surface on at least one end.

**613.3.2.2 End clearance.** A 36 inch (914mm) deep minimum clearance shall be provided on at least one end of the changing surface and shall extend the width of the changing surface.

**Exception:** A 24 inch (610 mm) deep minimum clearance shall be permitted on at least one end of the changing surface where a clear floor space complying with Section 305.3 is provided within the room outside the clearances for the changing surface.



**Figure 613.3.2**  
**Changing surface and clearances**

**613.3.3 Height adjustability.** The changing surface height shall be continuously adjustable from 17 inches (432mm) minimum to 38 inches (965mm) maximum above the floor as measured to the top of the changing surface.

**Exception:** Where approved by the authority having jurisdiction, a fixed height changing surface shall be permitted and shall be mounted with the top of the changing surface 17 inches (432mm) minimum and 19 inches (483mm) maximum above the floor.

**613.3.3.1 Operation.** Operable controls for height adjustment and, where provided, on and off shall comply with Section 309.4.

**613.3.4 Capacity.** Allowable stresses for materials, fastening mounting devices, and support structure shall support a downward force of not less than 350 lbs. (159 kg) applied to any point on the changing surface.

**613.3.5 Changing surface.** The changing surface shall be comprised of non-porous and durable materials.

**613.3.6 Side rail.** Side rails shall be provided at the changing surface in accordance with Sections 613.3.6.1 and 613.3.6.2.

**613.3.6.1 Size and location.** Side rails shall be a minimum of 2/3 of the length of the changing surface and shall be centered +/- 1 inch (25mm) along the long open sides of the changing surface.

**Exception.** A side rail shall not be required on the long side opposite the side clearance required by Section 613.3.2.1, provided that side abuts a wall or is otherwise protected.

**613.3.6.2 Rail positioning.** Side rails shall be capable of being raised and lowered and, when in the raised position, shall lock in place. The top of the side rail shall extend 5 inches (127mm) minimum above the top of the changing surface. When in the lowered position, the rail shall not obstruct transfer to or from the changing surface.

**613.4 Installation location.** Where provided, adult changing stations shall be installed in accordance with the locations specified in Section 613.4.1, 613.4.2 or 613.4.3.

**Exception:** Where installed in locations specified in Section 613.4.3, side and end clearances compliance with Section 613.3.2 are not required.

**613.4.1. Single user or family or assisted use toilet or bathing room.** Where adult changing stations are provided in a toilet room with only one water closet and one lavatory, or in a family or assisted-use toilet or bathing room, the room shall provide all of the following components:

1. A dispenser for soap complying with Section 308.
2. A hand towel dispenser or hand dryer complying with Table 603.6.
3. A coat hook located in close proximity to the changing surface.
4. A waste receptacle.
5. Signage indicating “Adult Changing Station” provided at the entrance to the room and complying with the visual character requirements in Section 703.2.

**613.4.2 Multi-user toilet or bathing room.** Where adult changing stations are provided in a multi-user toilet or bathing room, the adult changing station shall be located in a compartment that includes all of the following components:

1. Privacy provided by walls, curtains or partitions enclosing the compartment.
2. A turning space complying with Section 304.
3. A lavatory complying with Section 606.
4. A dispenser for soap complying with Section 308.
5. A hand towel dispenser or hand dryer complying with Table 603.6.
6. A coat hook in close proximity to the changing surface.
7. A waste receptacle.

8. Signage indicating “Adult Changing Station” provided at the entrance to the room and complying with the visual character requirements in Section 703.2.

**613.4.3 Room or space other than a toilet room.** Where adult changing stations are provided in a room or space other than a toilet or bathing room and including, but not limited to, nurses’ work areas, therapist work areas, or special education classrooms, the adult changing station shall be located in a compartment or room that includes all of the following components:

1. Privacy provided by walls, curtains or partitions.
2. A turning space complying with Section 304.
3. A lavatory complying with Section 606 or an alcohol-based hand sanitizer dispenser.
4. Where a lavatory is provided in the compartment or room, provide a dispenser for soap.
5. Where a lavatory is provided in the compartment or room, provide a hand towel dispenser or hand dryer complying with Table 603.6.
6. A waste receptacle.

**613.5 Clearances.** An adult changing station and its supporting structure shall not obstruct required clear floor spaces and clearances at accessible elements, maneuvering clearances at doors, or the wheelchair turning spaces.

---

**REASON:** The purpose of this standard proposal is to develop criteria for adult changing tables and the rooms in which they are installed. This is intended to coordinate with scoping provisions provided to the I-codes in proposals E141-21(AMPC1), E142-21(AMPC 1 and 2), P37-21(AMPC1) and M20-21(AS). This proposal is a result of the meetings held by the Adult Changing Facilities work group set up by the ICC A117.1 committee. The work group met every two weeks to develop this criteria. Participation included work group members and interested parties with a wide range of interests, and included representatives of manufactures of adult changing tables and parents of adult persons with disabilities that need to use adult changing tables. The work group reviewed eighteen proposed state laws, two already adopted, and four guidelines in European, Australian and North American countries for adult changing tables. While there is interest in many states to provide such facilities, investigations by this work group showed either no technical guidance or very inconsistent information and application. The end result currently is limiting access to children with disabilities who have grown up with accessibility in schools and public places since the ADA went into effect, as well as disabling a significant number of adults with disabilities who have experienced a different type of life-changing event, accidents, injuries or wars.

The following is an impact statement on the benefits of having these facilities in buildings and facilities.

- Limiting access to those who need adult changing stations decreases the community size dramatically. Nationally, the Centers for Disease Control and Prevention (CDC) reports 61 Million adults (26% of the US population) have some form of disability, with 24.1% affected in the areas of mobility, independent living, and self care. Further, each of those folks need assistance, and likely travel with additional family members. Once this population is taken out of the community, businesses are also losing a large potential of support and income. Providing our citizens more opportunities to participate in the community and patronize local establishments strengthens communities, allowing all family members to engage or travel together as one family nucleus. Currently many families have to make the choice to participate in activities outside of the home with only a portion of their family.
- Individually, families from many states are pushing for the adult changing facilities. A national campaign, Changing Spaces, has been activated, with chapters in at least 10 states, advocating for height adjustable changing tables to be required in public places. At least 12 states have proponents actively proposing and working toward legislation, while as many as 18 states have draft language in play.

California has already enacted legislation requiring adult changing stations. Maryland has legislation that goes into effect next year. Accepting this proposal will show wide-spread acceptance of the need along with a consistent set of standards across the country for users to rely on.

- We are all part of an aging population and the elderly still want to be able to attend family gatherings and travel in a car to be with relatives. These adult changing facilities would be valued not only by families with adult disabled children but also be aging adult family members.
- Without appropriate changing facilities, families cannot travel more than 30-40 miles from home. Additionally, trips that involve more than a few hours of time are also a risk. As a result, vacations, trips to zoos, aquariums, museums, concerts, and similar events are eliminated.
- The addition of adult changing tables will present a tremendous change in the quality of life for so many people who were unable to get out and participate in many activities before due to the lack of adequate facilities.

The following are reasons for the portions of the proposal dealing with the adult changing table/surface:

The work group compared the recommended changing surface technical requirements with changing tables on the market and verified that the requirements recommended are available from multiple sources. The following are specific to the sections for the changing surface.

### **613.2 Safety and performance.**

Adult changing stations shall comply with the following:

- 1) ISO 17966 Sections: 5 Materials; 7 Electromagnetic compatibility; 8 Electrical safety; 11 Safety of moving and folding parts; 11.2 Prevention of traps for parts of human body; 16 Static strength, impact, durability; 17 Stability;
- 2) IEC 60601-1 Medical electrical equipment – Part 1: General requirements for basic safety and essential performance; and
- 3) IEC 60601-1-2 Collateral Standard: Electromagnetic disturbances.

These standards were referenced because compliance assures changing station' design and operation will provide electrical and mechanical safety, structural strength, durability, safety of moving parts, prevent entrapment of human body parts and side rail safety for people with disabilities and their caregivers.

### **613.3.1 Size.**

ICC A117.1 has requirements for benches to change clothes with a depth of 24" (Section 903.3). The 30" minimum width is thought to be most appropriate for a person laying down. The 70" length is based on the average height of an adult male.

#### **613.3.2.1 Side clearance.**

A 36" deep minimum side clearance along the length of one long open side allows for an accessible route with space to park a wheelchair to support transfer to/from changing surface.

#### **613.2.2.2 End clearance.**

A 36" deep minimum clearance on at least one end of the changing surface allows space for individual to move around the table to manipulate clothing and change the individual. It also allows for the wheelchair to be located at that end while a care giver is changing someone. The exception would allow for a 24" clearance at the end (based on information from Assisted Toileting and Bathing work group and study from the Rothchild's Foundation) if there was another location in the room to move the wheelchair. (The California Code requires 36" deep minimum clearance on both ends of the changing surface.)

### **613.3.3 Height adjustability.**

The 17” lowest height is consistent with the ADA 17” to 19” water closet seat height requirement. The average height of a wheelchair seat is 19” above the floor. Lateral transfer to 17” changing surface height is practical. Adjustable height range is consistent with eight states’ (FL, NH, OK, WI, CA, MN, IA, MI) published height requirements.

The exception allows a fixed height surface. Fixed height changing surface is: (1) better than no changing surface; (2) a solution for vandalism of adjustable height adult changing surface.

#### **613.3.3.1 Operation.**

Controls of height adjustment comply with ADA Section 309.4 since operation is by the care giver, not the person on the table. Raising and lowering folding changing surface and side rails are not covered by ADA Section 309.4

#### **613.3.4 Capacity.**

“Not less than 350 lbs.” was selected as changing surface capacity because it covers 99% of the general population. Six states (FL, IL, MN, NH, OK and WI) of ten listing load capacity, state 350 lbs. One state (CA) of ten listing load capacity, states 300 lbs. Four states (IA, MI, ND and OH) of ten listing load capacity, state 440 lbs.

CDC data for body weight for the time period 2015-2018 indicates the following. For adult males age 20 and over, the data for all males examined (n=5,085) indicated a mean body weight of 199.8 lbs., and a body weight of 287.2 lbs. at the 95<sup>th</sup> percentile. When this data is analyzed by age range, body weight at 95<sup>th</sup> percentile ranged from 238.0 lbs. for males 80 years and over to 308.5 lbs. for males 30 -39 years of age.

One private sector website offers a body weight percentile calculator, based on the CDC’s 2015-2016 NHANES survey. The site specifies that the 99<sup>th</sup> percentile for adult males as being 341.1 lbs.

Specification of capacity at 350 lbs. seems reasonable, to account for clothing and any supplies that need to be available during the changing activity. Additionally, the 350 lbs. capacity offers a factor of safety of 1.21 when applied to the 287.5 lbs., 95<sup>th</sup> percentile figure, and 1.02 when applied to the 341.1 lbs., 99<sup>th</sup> percentile figure.

*Anthropometric Reference Data for Children and Adults: United States, 2015-2018. Analytical and Epidemiological Studies. U.S. Department of Health and Human Services, Centers for Disease Control and Prevention, National Center for Health Statistics.*

*National Health and Nutrition Examination Survey, NHANES 2015-2016. U.S. Department of Health and Human Services, Centers for Disease Control and Prevention cited on website <https://dqydj.com/weight-percentile-calculator-men-women/#:~:text=At%20the%20lowest%20extremes%20for%20adults%2C%20the%201st,for%20men.%20Weight%20alone%20doesn't%20tell%20you%20enough.>*

**613.3.5 Changing surface.** The surface shall be non-porous surface for easy, thorough cleaning. Surface shall be durable to provide multiple years of service under normal conditions of use.

#### **613.3.6.1 Side rail, size and location.**

Relate side rail length to changing surface length without referring to a specific inch dimension. Allows for shorter length changing surfaces and rails.

#### **613.3.6.2 Side rail positioning.**

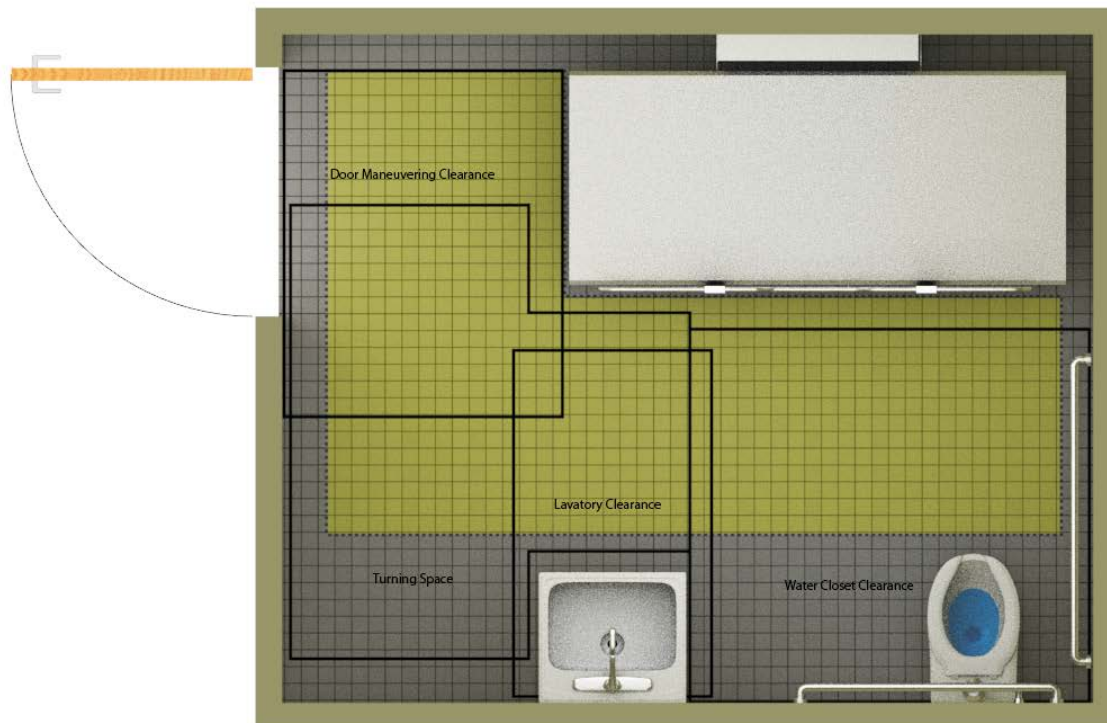
A side rail is needed on open side of changing surface to prevent person being cared for from rolling off. The 5” minimum height from the top of the side rail to the changing surface is considered a practical height for the caregiver to lean over.

The following are reasons for the portions of the proposal dealing with the room where the adult changing table/surface is located:

### 613.4 Installation location.

There currently is no existing technical design criteria for this feature. A need for adult changing facilities has been brought forth in proposed bills in multiple states with differing sets of design criteria. The proposed bills’ criteria were reviewed when developing these recommendations to provide a consistent set of technical criteria that meets the minimum needs of care providers for a private changing facility to change the adults with disabilities whom they care for, while at the same time maintaining required clearances at other fixtures in the room.

Consideration was given to the size of the changing surface being recommended by the Table sub-group to ensure that when in the open position, the changing surface does not obstruct the required clearances for toilets, sinks, doors and maneuvering when an adult changing surface is provided. It is necessary to ensure that the adult changing surface does not create a barrier for other persons with disabilities who may come to use the toilet room if the changing surface is folding and left in the open position. In addition to maintaining required clear floor spaces at other fixtures in the room, it was determined that the changing surface could not overlap the room’s turning space because some tables have a base underneath that does not allow for open knee and toe clearance that could otherwise be utilized as part of a turning space.



**Staff note:** The new standards will be provided for the ICC A117.1 committee members to review. The standards are copyrighted, so this will only be available for the committee and in a read only format.

# 06-90 – 2021 Replacement proposal

603.2.2, 613(New), 902.1

**Proponent:** Laurel Wright, representing the Adult Changing Facilities work group

**Replace and revise as follows:**

**603.2.2 Door swing.** Doors shall not swing into the clear floor space or clearance for any fixture.

**EXCEPTIONS:**

1. Doors to a toilet or bathing room for a single occupant, accessed only through a private office and not for common use or public use shall be permitted to swing into the clear floor space, provided the swing of the door can be reversed to comply with Section 603.2.2.
2. Where the room is intended for individual use, family or assisted-use, and a clear floor space is provided within the room outside the arc of ~~the~~ a door swing, ~~the~~ such a door shall not be required to comply with 603.2.2.

## SECTION 902

### DINING SURFACES AND WORK SURFACES

**902.1 General.** Accessible dining surfaces and work surfaces shall comply with Section 902.

**Exceptions:**

1. Dining surfaces and work surfaces primarily for children’s use shall be permitted to comply with Section 902.5.
2. Adult changing surfaces shall not be required to comply this section.

## SECTION 613

### ADULT CHANGING STATIONS

**613.1 General.** Adult changing stations shall comply with Section 613.2 through 613.4.

**613.2 Installation location.** Where provided, adult changing stations shall be installed in accordance with the locations specified in Section 613.2.1, 613.2.2 or 613.2.3.

**613.2.1. Single user or family or assisted use toilet or bathing room.** Where adult changing stations are provided in a toilet room with only one water closet and one lavatory, or in a family or assisted-use toilet or bathing room, the room shall provide all of the following components:

6. A dispenser for soap complying with Section 308.
7. A hand towel dispenser or hand dryer complying with Table 603.6.
8. A coat hook located in close proximity to the changing surface.
9. A waste receptacle.
10. Signage indicating “Adult Changing Station” provided at the entrance to the room and complying with the visual character requirements in Section 703.2.
11. Signage indicating the weight capacity and instructions for operation of the changing station within the room.

**613.2.2 Multi-user toilet or bathing room.** Where adult changing stations are provided in a multi-user toilet or bathing room, the adult changing station shall be located in a compartment that includes all of the following components:

1. Privacy provided by walls, curtains or partitions enclosing the compartment.
2. A turning space complying with Section 304.

3. A lavatory complying with Section 606.
4. A dispenser for soap complying with Section 308.
5. A hand towel dispenser or hand dryer complying with Table 603.6.
6. A coat hook in close proximity to the changing surface.
7. A waste receptacle.
8. Signage indicating “Adult Changing Station” provided at the entrance to the room and complying with the visual character requirements in Section 703.2.
9. Signage indicating the weight capacity and instructions for operation of the changing station within the compartment.

**613.2.3 Room or space other than a toilet room or bathing room.** Where adult changing stations are provided in a room or space other than a toilet or bathing room and including, but not limited to, nurses’ work areas, therapist work areas, or special education classrooms, the adult changing station shall be located in a compartment or room that includes all of the following components:

7. Privacy provided by walls, curtains or partitions.
8. A turning space complying with Section 304.
9. A lavatory complying with Section 606 or an alcohol-based hand sanitizer dispenser.
10. Where a lavatory is provided in the compartment or room, provide a dispenser for soap.
11. Where a lavatory is provided in the compartment or room, provide a hand towel dispenser or hand dryer complying with Table 603.6.
12. A waste receptacle.
13. Signage indicating the weight capacity and instructions for operation of the changing station within the room.

**613.3 Room clearances.** An adult changing station and its supporting structure shall not obstruct required clear floor spaces and clearances at accessible elements, maneuvering clearances at doors, or the wheelchair turning spaces.

**613.4 Changing surface.** A changing surface shall be provided and shall comply with Section 613.4.

**613.4.1 Safety and performance.** Adult changing stations shall comply with the following safety and performance requirements:

1. Protect the user from falling from the changing surface along the open long sides, by means such as retractable safety rails.
2. Provide a belt to secure the user on the changing surface.
3. Protect the user and caregiver from entrapment during operation.
4. Support a weight of not less than 400 lbs. (182 kg) applied to the changing surface
5. Provide a method to prevent tipping such as secured to the floor or wall, or other means.
6. Provide a changing surface that is durable, cleanable, non-absorbent, and resistant to corrosion.
7. Electrical components complying with NFPA 70.
8. Operable controls for height adjustment and, where provided, on and off complying with Section 309.4.

**613.4.2 Size.** The changing surface shall be 70 inches (1778mm) minimum in length and 30 inches (762mm) minimum in width.

**613.4.3 Height adjustability.** The changing surface height shall be adjustable at variable heights from 17 inches (432mm) minimum to 38 inches (965mm) maximum above the floor as measured to the top of the changing surface.



**Exception:** Where the adult changing station is not required by the administrative authority, a fixed height changing surface shall be permitted and shall be mounted with the top of the changing surface 19 inches (483mm) minimum and 23 inches (584 mm) maximum above the floor.

**613.4.4 Clearances.** Clearances complying with Sections 613.4.4.1 and 613.4.4.2 shall be provided adjacent to the changing surface, measured when the surface are in the operational position.

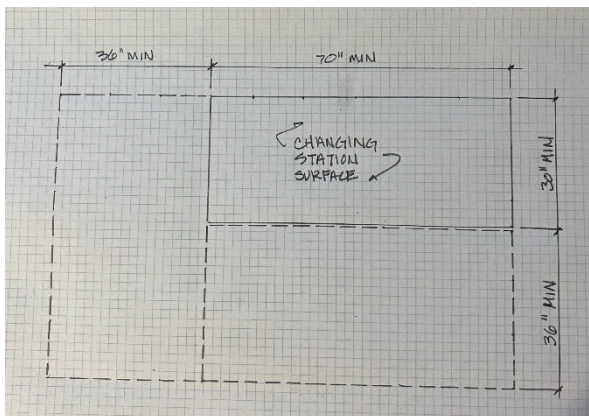
**613.4.4.1 Side clearance.** A 36-inch (914mm) deep minimum side clearance shall be provided along the open long side of the changing surface.

**Exception:** In the raised position, the side rail shall be permitted to overlap the side clearance.

**613.4.4.2 End clearance.** A 36-inch (914mm) wide minimum end clearance shall be provided along the depth of one end of the changing surface. The width of the end clearance shall extend the depth of the changing surface and the side clearance.

**Exceptions:**

1. A 24-inch (610 mm) wide minimum end clearance shall be permitted where a clear floor space complying with Section 305.3 is provided within the room beyond the clearances for the changing surface.
2. Where installed in locations specified in Section 613.2.3, end clearances complying with Section 613.4.4.2 is not required.



**Figure 613.4.4**  
**Changing surface and clearances**

**613.4.5 Side rail.** Where side rails are provided at the changing surface they shall comply with Sections 613.4.5.1 and 613.4.5.2.

**613.4.5.1 Size and location.** Side rails shall be a minimum of 2/3 of the length of the changing surface and shall be centered +/- 3 inch (75 mm) along the long open sides of the changing surface.

**613.4.5.2 Rail positioning.** Side rails shall be capable of being raised and lowered. The side rail shall be fixed in place when in the raised position. The top of the side rail shall extend 5 inches (127mm) minimum above the top of the changing surface.

---

**REASON:** The purpose of this standard proposal is to develop criteria for adult changing tables and the rooms in which they are installed. This is intended to coordinate with scoping provisions provided to the I-codes in proposals E141-21(AMPC1), E142-21(AMPC 1 and 2), P37-21(AMPC1) and M20-21(AS). This proposal is a result of the meetings held by the Adult Changing Facilities work group set up by the ICC A117.1 committee. The work group met from August 2020 to December of 2021 to develop this criteria. They have met several times in 2022 to improve the proposal based on comments from the full A117.1 committee.

Participation included work group members and interested parties with a wide range of interests, and included representatives of manufacturers of adult changing tables and parents of adult persons with disabilities that need to use adult changing tables. The work group reviewed eighteen proposed state laws, two already adopted, and four guidelines in European, Australian and North American countries for adult changing tables. While there is interest in many states to provide such facilities, investigations by this work group showed either no technical guidance or very inconsistent information and application. The end result currently is limiting access to children with disabilities who have grown up with accessibility in schools and public places since the ADA went into effect, as well as disabling a significant number of adults with disabilities who have experienced a different type of life-changing event, accidents, injuries or wars.

The following is an impact statement on the benefits of having these facilities in buildings and facilities.

- Limiting access to those who need adult changing stations decreases the community size dramatically. Nationally, the Centers for Disease Control and Prevention (CDC) reports 61 Million adults (26% of the US population) have some form of disability, with 24.1% affected in the areas of mobility, independent living, and self care. Further, each of those folks need assistance, and likely travel with additional family members. Once this population is taken out of the community, businesses are also losing a large potential of support and income. Providing our citizens more opportunities to participate in the community and patronize local establishments strengthens communities, allowing all family members to engage or travel together as one family nucleus. Currently many families have to make the choice to participate in activities outside of the home with only a portion of their family.
- Individually, families from many states are pushing for the adult changing facilities. A national campaign, Changing Spaces, has been activated, with chapters in at least 10 states, advocating for height adjustable changing tables to be required in public places. At least 12 states have proponents actively proposing and working toward legislation, while as many as 18 states have draft language in play. California has already enacted legislation requiring adult changing stations. Maryland has legislation that goes into effect next year. Accepting this proposal will show wide-spread acceptance of the need along with a consistent set of standards across the country for users to rely on.
- We are all part of an aging population and the elderly still want to be able to attend family gatherings and travel in a car to be with relatives. These adult changing facilities would be valued not only by families with adult disabled children but also be aging adult family members.
- Without appropriate changing facilities, families cannot travel more than 30-40 miles from home. Additionally, trips that involve more than a few hours of time are also a risk. As a result, vacations, trips to zoos, aquariums, museums, concerts, and similar events are eliminated.
- The addition of adult changing tables will present a tremendous change in the quality of life for so many people who were unable to get out and participate in many activities before due to the lack of adequate facilities.

The following are reasons for the portions of the proposal dealing with the adult changing table/surface:

The work group compared the recommended changing surface technical requirements with changing tables on the market and verified that the requirements recommended are available from multiple sources. The following are specific to the sections for the changing surface.

**603.2.2 Door swing** (to family or assisted-use toilet room) – (see also 613.3) Similar to a single occupant bathroom, it is assumed that persons using this room will enter the room and lock the door. Therefore, the door can swing over clear floor spaces provided that the a wheelchair space is located past the swing of the door.

**902.1 General** (Work surface) – (see also 613.2) Some tables are wall mounted and could provide knee and toe clearances, however to achieve desired weight capacity and stability, there are many options with a center post or an x-brace system that need to be permitted. Therefore, adult changing surfaces, while a work surface for a care provider, is not also required to be an accessible work surface due to the potential lack of knee and toe clearances.

**613 Adult changing stations and 613.1 General** – This is a new section for the technical criteria for adult change stations. The IBC and the Appendix will include locations where these should be required for public access so that parents can change their adult children. For use and safety, these provisions will also apply where adult changing facilities are provided voluntarily.

There currently is no existing technical design criteria for adult changing facilities. A need for adult changing facilities has been brought forth in proposed bills in multiple states with differing sets of design criteria. The proposed bills' criteria were reviewed when developing these recommendations to provide a consistent set of technical criteria that meets the minimum needs of care providers for a private changing facility to change the adults with disabilities whom they care for, while at the same time maintaining required clearances at other fixtures in the room.

**613.1.2 Installation location** – Where adult changing facilities are required, they will be provided in a separate toilet room (613.2.1). Where provided, but not required, they can be in a separate toilet room (613.2.1, in a bathroom in a separate stall (613.2.2) or in a private area (613.2.3). The work group felt that that there should be additional allowances for locations where the persons with disabilities are cared for in areas such as special education classrooms or in school nurses' offices where the primary care giver is not family members. The intent is to allow the adult changing tables in the locations that best serves the situation where these are provided voluntarily.

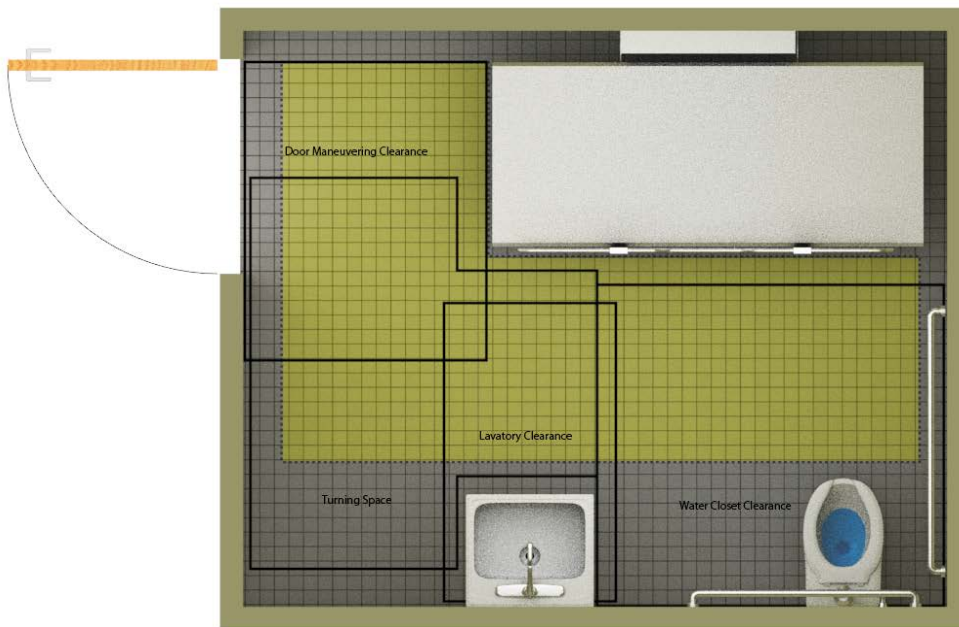
**613.2.1. Single user or family or assisted use toilet or bathing room.** – In a private bathroom, to allow for sanitation of the table, the user and the care giver, along with the fixtures (lavatory, water closet), the room will include soap, towels and a garbage can. There will be a coat hook in the room. Signage outside to identify the room and instructions for the table operation inside the room are required.

**613.2.2 Multi-user toilet or bathing room.** Where a table is provided in a multi-stall bathroom, the table will be in a private area. Within that area will be a lavatory with soap and a hand dryer, or hand towel dispenser. A garbage can is required. Signage to identify the room outside and instructions for the table operation are required.

**613.2.3 Room or space other than a toilet room or bathing room.** These are primarily for, but not limited to, nurses' work areas, therapist work areas, or special education classrooms. Privacy is required. Within that

area if the room has a lavatory, also provide soap and a hand dryer, or hand towel dispenser. There is the option for a hand sanitizer. A garbage can is required. Instructions for the table operation are required.

**613.3 Room clearances.** Consideration was given to the size of the changing surface being recommended by the Table sub-group to ensure that when in the open position, the changing surface does not obstruct the required clearances for toilets, sinks, doors and maneuvering when an adult changing surface is provided. It is necessary to ensure that the adult changing surface does not create a barrier for other persons with disabilities who may come to use the toilet room if the changing surface is folding and left in the open position. (A folding table is permitted, but the intent is that when the table is down, it will not be necessary to lift the table to access the other fixtures.) In addition to maintaining required clear floor spaces at other fixtures in the room, it was determined that the changing surface could not overlap the room's turning space because some tables have a base underneath that does not allow for open knee and toe clearance that could otherwise be utilized as part of a turning space.



**613.2 Safety and performance.** The committee has applied to work with IAPMO to develop a standard specific to adult changing. This list is the performance criteria to use for safety until this standard is finished.

Item 1 and 2 - Both a safety belt and a side rail will be required. The side rail prevents the user from rolling off the changing surface. The belt secures the user in place and, from the commentary received from Jennifer and other parents, is a necessary secondary item that prevents the user from rolling around on the surface. Not all users may require it, but from the comments received so far, having a belt to secure the user allows the caretaker to be more free in his/her movements/administrations during the changing process. Side rails are required by six states (FL, IA, IL, MI, MN, WI) and a safety belt is required in five states (FL, IA, IL, MI, MN) of the eleven states listing changing station requirements. A safety belt is included on four adult, adjustable height changing station models of the twelve products from six manufacturers the Adult Changing Station Task Force surveyed.

Item 3, 4 and 5– Consideration of possible entrapment, capacity and no tipping are important safety issues.

“Not less than 350 lbs.” was originally selected as changing surface capacity because it covers 99% of the general population. Six states (FL, IL, MN, NH, OK and WI) of ten listing load capacity, state 350 lbs. One state (CA) of ten listing load capacity, states 300 lbs. Four states (IA, MI, ND and OH) of ten listing load capacity, state 440 lbs.

One private sector website offers a body weight percentile calculator, based on the CDC’s 2015-2016 NHANES survey. The site specifies that the 99<sup>th</sup> percentile for adult males as being 341.1 lbs.

It is suggested that the weight capacity of the adult-size, adjustable height changing station should be “not less than 400 lbs. (182 kg)”. Commentary from parents of adult children who use adjustable height changing stations to change their children indicated that additional weight beyond the users’ weight is placed on the changing station surface. First, the care giver will apply pressure to the changing surface during the changing process. Second, the care giver may add equipment to the changing surface that is needed during the changing process. Third, the care giver may lie on the changing surface to calm down their agitated child while another caregiver performs the changing process. The weight capacities of twelve adult-size, adjustable height changing station models, from six manufacturers, on the market surveyed by the Adult Changing Station Task Force shows the following:

- Under 400 lbs., 2
- 400 lbs., 1
- 440 lbs., 8
- 500 lbs., 1

Item 6 – This is common language for surfaces that need to be cleanable for sanitation reasons. The surface shall be non-porous surface for easy, thorough cleaning. Surface shall be durable to provide multiple years of service under normal conditions of use.

Item 7 – NFPA 70 is the National Electrical Code and will reduce the chance of accidental shock.

Item 8 – the controls to operate the height of the table are for the caregiver and should be places where it is best to serve their needs for a smooth operation of the changing surface. This may not be on the side or over the table.

**613.4.2 Size.** ICC A117.1 has requirements for benches to change clothes with a depth of 24” (Section 903.3). The 30” minimum width is thought to be most appropriate for a person laying down. The 70” length is based on the average height of an adult male.

**613.4.3 Height adjustability.** The 17” lowest height is consistent with the ADA 17” to 19” water closet seat height requirement. The average height of a wheelchair seat is 19” above the floor. Lateral transfer to 17” changing surface height is practical. Adjustable height range is consistent with eight states’ (FL, NH, OK, WI, CA, MN, IA, MI) published height requirements.

“Adjustable at variable heights” will allow for reasonable transitions.

Reasons for 38” Maximum Height Adjustability - The maximum height of twelve adult-size, adjustable height changing station models, from six manufacturers, on the market surveyed by the Adult Changing Station Task Force shows 9 of the 12 meet this height requirement.

The maximum height of states’ requirements surveyed shows the following:

38” (1) CA

34" (7) FL, IA, MI, NH, OH, OK, WI  
28" (1) MN  
No height listed (5) GA, IL, PA, TX, VI

The 38" maximum adjustable height suggested is consistent with a majority of the adult-size, adjustable height changing station models on the market offering a higher maximum height than is stated in majority of U.S. States' requirements.

The exception allows a fixed height surface where tables are provided voluntarily. Fixed height changing surface is: (1) better than no changing surface; (2) a solution for vandalism of adjustable height adult changing surface; (3) a significant reduction in cost that should encourage additional tables where needed (such as in every special education classroom in a school). The 19" to 23" is based on new information for the Access Board about the range of wheelchair seat heights.

**613.4.4 Clearances.** Folding tables are not prohibited, so the clearance are required when the table is in its operational position.

**613.4.4.1 Side clearance.** A 36" deep minimum side clearance along the length of one long open side allows for an accessible route with space to park a wheelchair to support transfer to/from changing surface. The exception allows for side rails to be inbound or outbound of the of the changing surface. When the side rails are down, they should not obstruct the transfer to the table.

**613.4.4.2 End clearance.** A 36" deep minimum clearance on at least one end of the changing surface allows space for caregiver to move around the table to manipulate clothing and change the user. It also allows for the wheelchair to be located at that end while a care giver is changing someone. Exception 1 would allow for a 24" clearance at the end (based on information from Assisted Toileting and Bathing work group and study from the Rothchild's Foundation) if there is another location in the room to move the wheelchair. (The California Code requires 36" deep minimum clearance on both ends of the changing surface.) Exception 2 allows for tables in nurses' work areas, therapist work areas, or special education classrooms to be located in an alcove where necessary.

**613.4.5 Side rail,**

**613.4.5.1 Size and location.** Relate side rail length to changing surface length without referring to a specific inch dimension.

**613.3.6.2 Side rail positioning.** A side rail is needed on open side of changing surface to prevent person being cared for from rolling off. The 5" minimum height from the top of the side rail to the changing surface is considered a practical height for the caregiver to lean over.

---

Committee Action: As Modified 26-0-0  
**REPORT OF HEARING:**  
**Modification (if any):** Motion to delete 613.4.1 passed 26-3-0

**Further revise as follows:**

~~**613.4.1 Safety and performance.** Adult changing stations shall comply with the following safety and performance requirements:~~

- ~~1. Protect the user from falling from the changing surface along the open long sides, by means such as retractable~~

safety rails.

- ~~2. Provide a belt to secure the user on the changing surface.~~
- ~~3. Protect the user and caregiver from entrapment during operation.~~
- ~~4. Support a weight of not less than 400 lbs. (182 kg) applied to the changing surface~~
- ~~5. Provide a method to prevent tipping such as secured to the floor or wall, or other means.~~
- ~~6. Provide a changing surface that is durable, cleanable, non-absorbent, and resistant to corrosion.~~
- ~~7. Electrical components complying with NFPA 70.~~
- ~~8. Operable controls for height adjustment and, where provided, on and off complying with Section 309.4.~~

**613.4.3 Height adjustability.** The changing surface height shall be adjustable at variable heights from 17 inches (432mm) minimum to 38 inches (965mm) maximum above the floor as measured to the top of the changing surface.

**Exception:** Where the ~~changing surface~~ adult changing station is not required by the administrative authority, a fixed height changing surface shall be permitted and shall be mounted with the top of the changing surface 19 inches (483mm) minimum and 23 inches (584 mm) maximum above the floor.

**Committee Reason:** The first modification deleted Section 613.4.1 due to concerns that some of the item were not in enforceable language (e.g. # 3 and 5). Item 1 is addressed in Section 614.4.5. Item 8 needed some editorial cleanup on the language.

The modification to Section 613.4.3 was because the adult changing station is required by the codes, not the surface itself. This is editorial.

The replacement proposal developed by the Adult Changing Station Committee was approved because it brought requirements in for the changing table that would provide appropriate guidance for these facilities. The committee worked to address concerns raised by the A117.1 committee during the original presentation to the committee at the March 10 presentation. Laurel Wright's presentation explained the development and resources used by the task group to develop criteria.

106-WRIGHT.doc

---

## 06-90 – 2021 Public Comment 1

### 613.4.3 (New)

**Proponent:** Jennifer Skulski, Skulski Consulting LLC

**Support the committee action with the following related comment.**

**613.4.3 Height adjustability.** The changing surface height shall be adjustable at variable heights from 17 inches (432mm) minimum to 38 inches (965mm) maximum above the floor as measured to the top of the changing surface.

**Exception:** Where the adult changing station is not required by the administrative authority, a fixed height changing surface shall be permitted and shall be mounted with the top of the changing surface 19 inches (483mm) minimum and 23 inches (584 mm) maximum above the floor.

---

**REASON:** Over the last three years, we have conducted accessibility assessments in public parks where every mechanically adjustable changing table was rendered inoperable within 12 months of installation. Either through excessive force, heavy use, or malicious intent, the mechanically adjustable changing tables have not been able to withstand the unsupervised public park restroom setting. Thank you for allowing for the exception

of a fixed height changing surface. This will be especially helpful in public park settings like playgrounds and splash pads that experience a high volume of hard use and vandalism.

---

**Committee Action for Public Comment 1:**

**REPORT OF HEARING:**

**Modification (if any):**

**Committee Reason:**

06-90 Skulski.doc

---

**06-90 – 2021 Public Comment 2**

102.1

**Proponent:** Laurel Wright, representing the Adult Changing Station Task Group

**Revise as follows:**

Further modify as follows:

613.3.4 Capacity. Allowable stresses for materials, fastening mounting devices, and support structure shall support a downward force of not less than 400 lbs. (182 kg) applied to any point on the changing surface.

---

**REASON:** A 350 lbs. capacity was in the original proposal, but was removed in the replacement proposal. The reason statement for the replacement indicates why 400 lbs. would be more appropriate. IAPMO is developing a safety standard for adult changing tables, that may address this, but until this standard is ready, we feel that this requirement should be reinstated.

---

**Committee Action for Public Comment 2:**

**REPORT OF HEARING:**

**Modification (if any):**

**Committee Reason:**

06-90 Wright.doc

---

**06-90 – 2021 Public Comment 3**

613

**Proponent:** Marsha Mazz, representing Terminology Work Group

**Further revise as follows:**



## SECTION 616 ADULT CHANGING STATIONS

**616.2.1. Single user or family or assisted use toilet or bathing room.** Where adult changing stations are provided in a toilet room with only one water closet and one lavatory, or in a family or assisted-use toilet or bathing room, the room shall provide all of the following components:

1. A dispenser for soap ~~complying with Section 308~~ located within the applicable reach range.
2. A hand towel dispenser or hand dryer complying with Table 603.6.
3. A coat hook located in close proximity to the changing surface.
4. A waste receptacle.
5. Signage indicating “Adult Changing Station” provided at the entrance to the room and complying with the visual character requirements in Section 703.2.
6. Signage indicating the weight capacity and instructions for operation of the changing station within the room.

**616.2.2 Multi-user toilet or bathing room.** Where adult changing stations are provided in a multi-user toilet or bathing room, the adult changing station shall be located in a compartment that includes all of the following components:

1. Privacy provided by walls, curtains or partitions enclosing the compartment.
2. A turning space ~~complying with Section 304.~~
3. A lavatory complying with Section 606.
4. A dispenser for soap ~~complying with Section 308~~ located within the applicable reach range.
5. A hand towel dispenser or hand dryer complying with Table 603.6.
6. A coat hook in close proximity to the changing surface.
7. A waste receptacle.
8. Signage indicating “Adult Changing Station” provided at the entrance to the room and complying with the visual character requirements in Section 703.2.
9. Signage indicating the weight capacity and instructions for operation of the changing station within the compartment.

**616.2.3 Room or space other than a toilet room or bathing room.** Where adult changing stations are provided in a room or space other than a toilet or bathing room and including, but not limited to, nurses’ work areas, therapist work areas, or special education classrooms, the adult changing station shall be located in a compartment or room that includes all of the following components:

1. Privacy provided by walls, curtains or partitions.
2. A turning space ~~complying with Section 304.~~
3. A lavatory complying with Section 606 or an alcohol-based hand sanitizer dispenser.
4. A dispenser for soap ~~complying with Section 308~~ located within the application reach range.
5. Where a lavatory is provided in the compartment or room, provide a hand towel dispenser or hand dryer complying with Table 603.6.
6. A waste receptacle.
7. Signage indicating the weight capacity and instructions for operation of the changing station within the room.

**616.3 Room ~~clearances configurations.~~** An adult changing station and its supporting structure shall not obstruct required clear floor spaces and maneuvering clearances at ~~accessible elements~~ fixtures, maneuvering clearances at the adult changing stations, maneuvering clearances at doors, or the ~~wheelchair~~ turning spaces.

**616.4.3 Maneuvering Clearances.** Maneuvering Clearances at the adult changing surface and complying with Sections 616.4.4.1 and 616.4.4.2 shall be provided. ~~adjacent to the changing surface, and~~ Such

maneuvering clearances shall be measured ~~when~~ where the adult changing surface ~~are~~ is in the operational position.

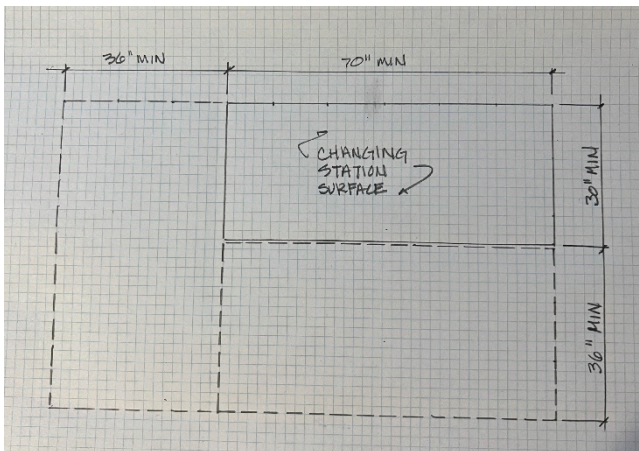
**616.4.3.1 Side maneuvering clearance.** A 36-inch (914mm) deep minimum side maneuvering clearance at the adult changing surface shall be provided along the open long side of the adult changing surface.

**Exception:** In the raised position, the side rail shall be permitted to overlap the side clearance.

**616.4.3.2 End maneuvering clearance.** A 36-inch (914mm) wide minimum end maneuvering clearance at the adult changing surface shall be provided along the depth of one end of the changing surface. The width of the end maneuvering clearance shall extend the depth of the changing surface and the side maneuvering clearance.

**Exceptions:**

3. A 24-inch (610 mm) wide minimum end maneuvering clearance shall be permitted where a clear floor space complying with Section 305.3 is provided within the room beyond the maneuvering clearances for the changing surface.
4. Where installed in locations specified in Section 616.2.3, end maneuvering clearances complying with Section 616.4.3.2 is not required.



6-90-2021 AM

Figure 616.4.4

Size and maneuvering clearances at the adult Changing surface ~~and clearances~~

---

**REASON:** This is part of a proposal from the Terminology task group to define the building blocks so that a reference is not required. This public comment is included here because it was part of new text. Please see the complete proposal for additional information.

---

**Committee Action for Public Comment 3:**

**REPORT OF HEARING:**

**Modification (if any):**

**Committee Action for First Ballot:**

**REPORT OF HEARING:**

**Modification (if any):**

**Committee Reason:**

<b>Report for 06-90-2021</b>		
<i>Committee decision: AM</i>	<i>Committee Vote at Meeting: 26-0-0</i>	<i>Committee Vote on Ballot:39-0-2</i>
<b>REPORT OF HEARING:</b> Modification (if any): Further revise as follows:		
<p><b>613.4.1 Safety and performance.</b> Adult changing stations shall comply with the following safety and performance requirements:</p> <ol style="list-style-type: none"> <li>1. <del>Protect the user from falling from the changing surface along the open long sides, by means such as retractable safety rails.</del></li> <li>2. <del>Provide a belt to secure the user on the changing surface.</del></li> <li>3. <del>Protect the user and caregiver from entrapment during operation.</del></li> <li>4. <del>Support a weight of not less than 400 lbs. (182 kg) applied to the changing surface</del></li> <li>5. <del>Provide a method to prevent tipping such as secured to the floor or wall, or other means.</del></li> <li>6. <del>Provide a changing surface that is durable, cleanable, non-absorbent, and resistant to corrosion.</del></li> <li>7. <del>Electrical components complying with NFPA 70.</del></li> <li>8. <del>Operable controls for height adjustment and, where provided, on and off complying with Section 309.4.</del></li> </ol> <p><b>613.4.3 Height adjustability.</b> The changing surface height shall be adjustable at variable heights from 17 inches (432mm) minimum to 38 inches (965mm) maximum above the floor as measured to the top of the changing surface.  <b>Exception:</b> Where the <del>changing surface</del> <b>adult changing station</b> is not required by the administrative authority, a fixed height changing surface shall be permitted and shall be mounted with the top of the changing surface 19 inches (483mm) minimum and 23 inches (584 mm) maximum above the floor.</p>		
<p><b>Committee Reason:</b> The first modification deleted Section 613.4.1 due to concerns that some of the item were not in enforceable language (e.g. # 3 and 5). Item 1 is addressed in Section 614.4.5. Item 8 needed some editorial cleanup on the language.                  The modification to Section 613.4.3 was because the adult changing station is required by the codes, not the surface itself. This is editorial.                  The replacement proposal developed by the Adult Changing Station Committee was approved because it brought requirements in for the changing table that would provide appropriate guidance for these facilities. The committee worked to address concerns raised by the A117.1 committee during the original presentation to the committee at the March 10 presentation. Laurel Wright's presentation explained the development and resources used by the task group to develop criteria.</p>		
<b>BALLOT COMMENT- FIRST DRAFT:</b>		
Proponent:		
Desired Action:		
Modification:		
Reason:		
<i>Committee decision: AS/AM/D</i>	<i>Committee Vote at Meeting:</i>	<i>Committee Vote on Ballot:</i>
<b>REPORT OF HEARING – FIRST DRAFT</b>		
Modification (if any):		
Committee Reason:		
<b>BALLOT COMMENT- SECOND DRAFT:</b>		
Proponent:		
Desired Action:		
Modification:		
Reason:		
<i>Committee decision: AS/AM/D</i>	<i>Committee Vote at Meeting:</i>	<i>Committee Vote on Ballot:</i>
<b>FINAL ACTION:</b>		
Modification (if any):		
Committee Reason:		