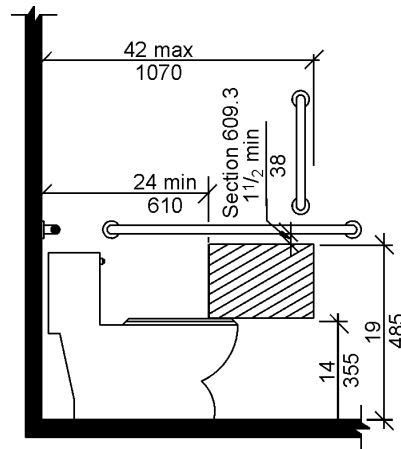


A117.1-2009 errata

Updated August 4, 2023

- Page 7: In Figure 303.2, the title should read as “Vertical Changes in Level” instead of “Carpet on Floor Surfaces.”
- Page 12: Figure 307.3 Post Mounted Protruding Object – In (b) the central figure dimension between post should be $x \leq 12$ ” instead of $x \geq 12$ ”.
- Page 17: In Table 404.2.3.2, the third column in the eighth row, the maneuvering clearance “perpendicular to doorway” for a “latch side” approach from the “pull” side of the door should reference footnote “2” instead of footnote “1”. That entry should read as “48 inches (1220 mm)²” instead of “48 inches (1220 mm)¹”.
- Page 36: Figure 408.4.1 Inside Dimensions of Limited use/Limited application (LULA) elevator cars – In (a) the dimensions on the center of the elevator is removed.
- Page 53: In Figure 604.11.7, the dimension string on the right side should be split into two separate dimension strings as shown in the figure below. The bottom of the hatched area should be located at 14 inches (355 mm) and the top of the hatched area should be located at 19 inches (485 mm).



Note: For adult dimensions see Fig. 604.7

- Page 54: Figure 607.2 Clearance for Bathtubs – In (b) the bottom dimension should be ‘length of tub and seat’.
- Page 69: In Section 703.6.2, the section number should be “703.6.2” instead of Section “7703.6.2”.

Page 95: Figure 1003.11.2.5.1 Clearance for Bathtubs in Type A Units – In (b) the bottom dimension should be ‘length of tub and seat’.

Page 99: In Section 1004.5.2.2, the last word in the first line of the exception should be “sliding” instead of “slidng”. The exception would then read as “Thresholds at exterior sliding doors.....”